

# **LOD**

# **Installation**

# **Instructions**

---

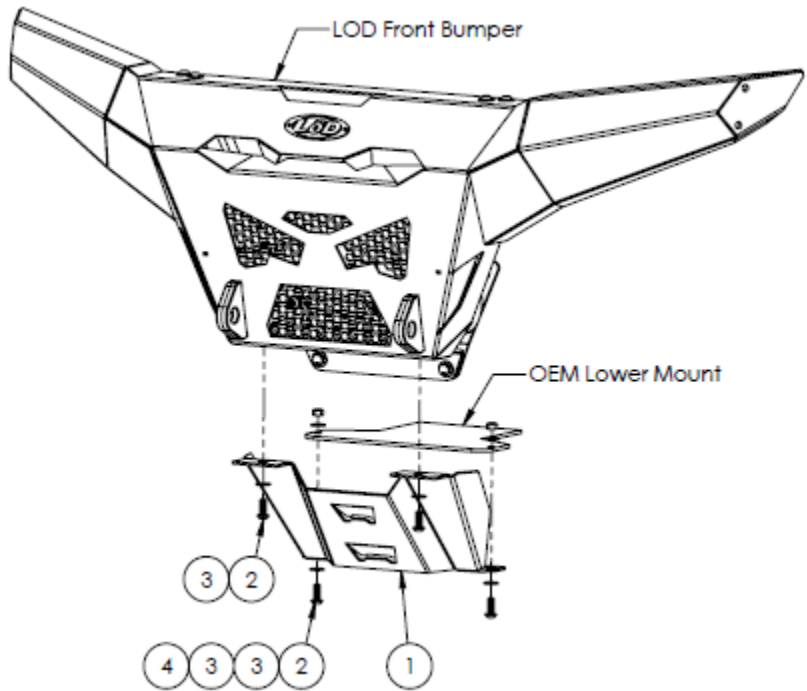


**POLARIS RANGER**  
**2013+**

**SKID PLATE**  
**DESTROYER SERIES**

# Installation

## Skid Plate



ITEM	QTY	PART NUMBER	DESCRIPTION	ITEM	QTY	PART NUMBER	DESCRIPTION
1	1	2PSP1300-15	Skid Plate	3	6	FW3114ZP	Flat Washer 5/16" x .875, ZP
2	4	BHSCS381616ZP	Button Head Cap Screw 3/8-16 x 1.00"	4	2	HN3816ZPGR5	Hex Nut 3/8-16, ZP

1. Locate the Skid Plate, 3/8" fasteners, and 5/16" washers.
2. Orientate the Skid Plate as shown above and with the fasteners loosely attach to the Front Bumper.
3. With the remaining fasteners finish securing the Skid Plate to the lower OEM Polaris mount.
4. Now that the Skid Plate has been loosely assembled begin to tighten down the 3/8" bolts.

---

## **\*\*Maintenance\*\***

- Periodically check and re-tighten all fasteners.
- 
- Periodically check your product for scratches, dings, or rust spots which can happen over time or after heavy use. It is important to address these areas as soon as possible to prevent rust and corrosion from spreading. We recommend using Rustoleum® brand Black Semi-Gloss Protective Enamel (oil based). Apply using a foam brush by dabbing to match the powder coat texture.





**Polaris Ranger  
DESTROYER SERIES**

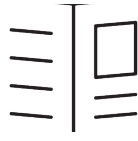
SKID PLATE  
SHIPPING SHEET - BOX 1

Packaged by:

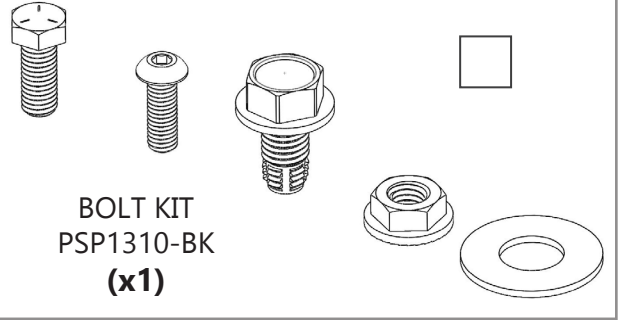
\_\_\_\_\_

On:

\_\_\_\_\_



INSTRUCTION  
SHEET



BOLT KIT  
PSP1310-BK  
**(x1)**



SKID PLATE  
2PSP1300-15  
**(x1)**





**Polaris Ranger  
DESTROYER SERIES**

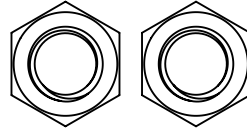
SKID PLATE  
BOLT KIT

Packaged by:

\_\_\_\_\_

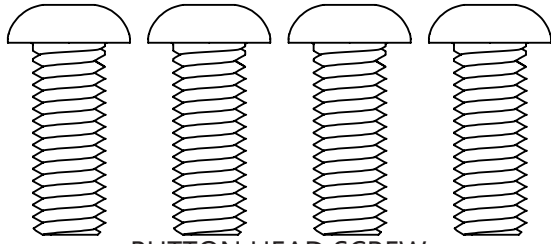
On:

\_\_\_\_\_



HEX NUT 3/8-16  
(36306)

**(x2)**

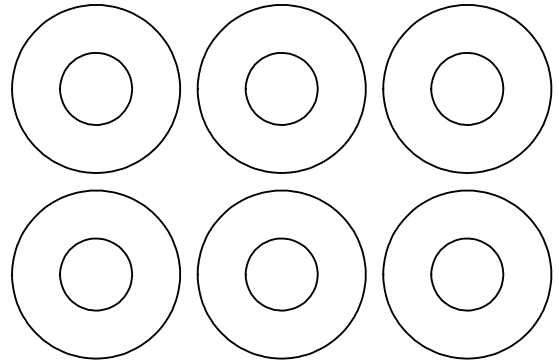


BUTTON HEAD SCREW

3/8-16 X 1.00"

(94092)

**(x4)**



FLAT WASHER

Ø5/16" X .875"

(0159678)

**(x6)**

