

# **LOD**

# **Installation**

# **Instructions**

---

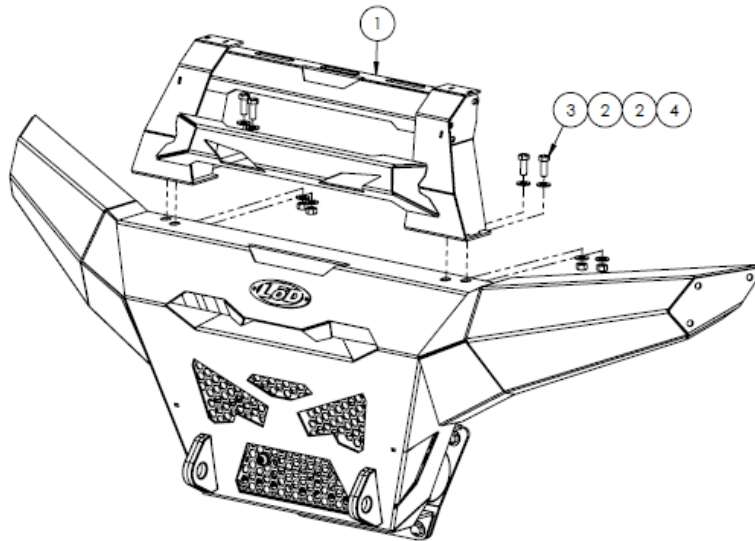


**POLARIS RANGER**  
**2013+**

**CENTER GRILL GUARD**  
**DESTROYER SERIES**

# Installation

## Center Grill Guard



ITEM	QTY	PART	DESCRIPTION	ITEM	QTY	PART NUMBER	DESCRIPTION
1	1	4PFG1910-04	Wldmnt, Grill Guard	3	4	HB381616ZPGR5	HB 3/16-16 x 1.00, ZP
2	8	FW3813YZ	FW 3/8" x .812, ZP	4	4	HN3816ZPGR5	HN 3/8-16, ZP

1. Remove the bolts from the top flange of the bumper as shown in Figure 2.
2. With the bolts removed, locate the Grill Guard and the 3/8" hardware.
3. Attach the Grill Guard as shown above and attach using the 3/8" hardware. It's best to loosen the lower bolts on the stiffener bracket to help ease installation. See Figure 1.
4. Center the Grill Guard and tighten the bolts to the Center Guard and Stiffener Brackets.

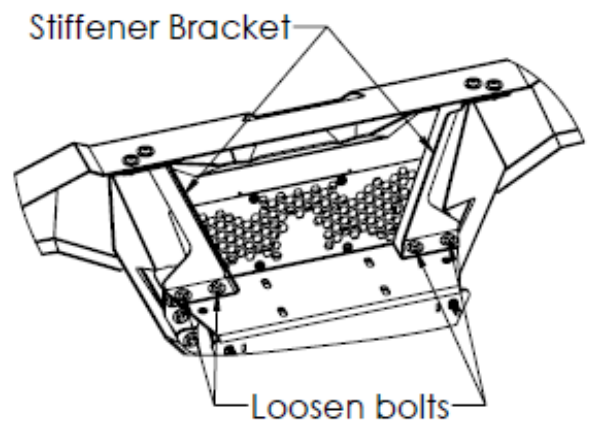


Figure 1. Loosen Stiffener Brackets

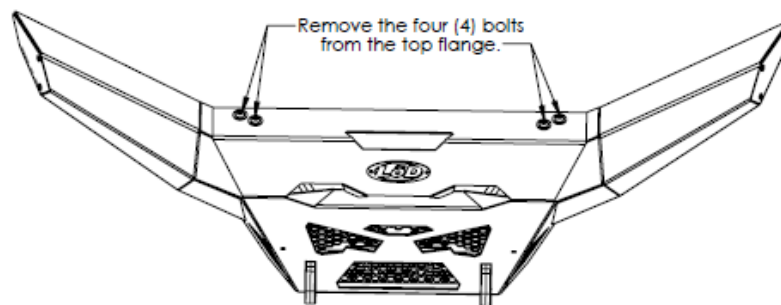


Figure 2. Remove Bolts from Top Flange of Bumper

---

## **\*\*Maintenance\*\***

- Periodically check and re-tighten all fasteners.
- 
- Periodically check your product for scratches, dings, or rust spots which can happen over time or after heavy use. It is important to address these areas as soon as possible to prevent rust and corrosion from spreading. We recommend using Rustoleum® brand Black Semi-Gloss Protective Enamel (oil based). Apply using a foam brush by dabbing to match the powder coat texture.





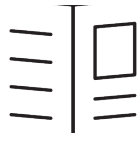
**Polaris Ranger**  
**DESTROYER SERIES**  
FRONT GUARD  
SHIPPING SHEET - BOX 1

Packaged by:

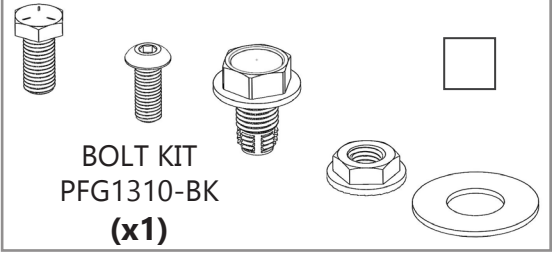
\_\_\_\_\_

On:

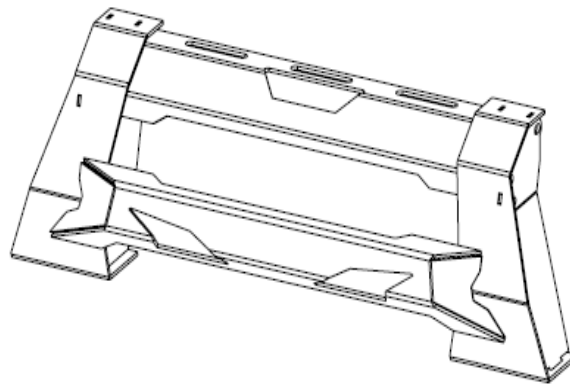
\_\_\_\_\_



INSTRUCTION  
SHEET



BOLT KIT  
PFG1310-BK  
**(x1)**



FRONT GUARD  
4PFG1910-04  
**(x1)**





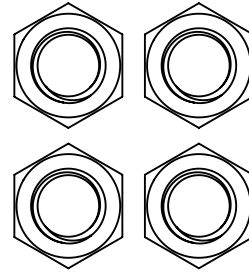
**Polaris Ranger**  
**DESTROYER SERIES**  
FRONT GUARD  
Bolt Kit

Packaged by:

\_\_\_\_\_

On:

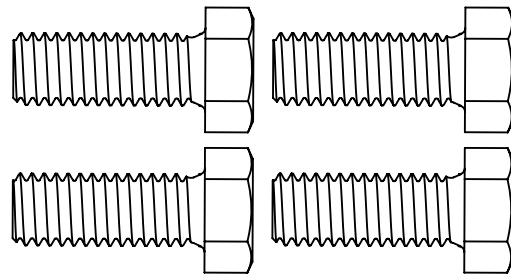
\_\_\_\_\_



HEX NUT 3/8-16

(36306)

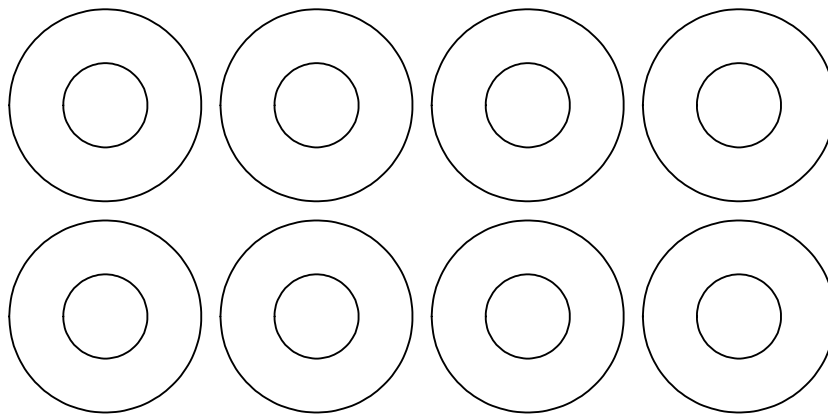
**(x4)**



HEX BOLT 3/8-16 X 1.00"

(11105742)

**(x4)**



FLAT WASHER

Ø3/8" X .812"

(98023A031)

**(x8)**

