



DESTROYER SERIES

JK

JEEP JK 4DR
DESTROYER
ROCK SLIDERS

WEB LINK: <http://lodoffroad.com/assets/pdfs/JK0704INS.pdf>

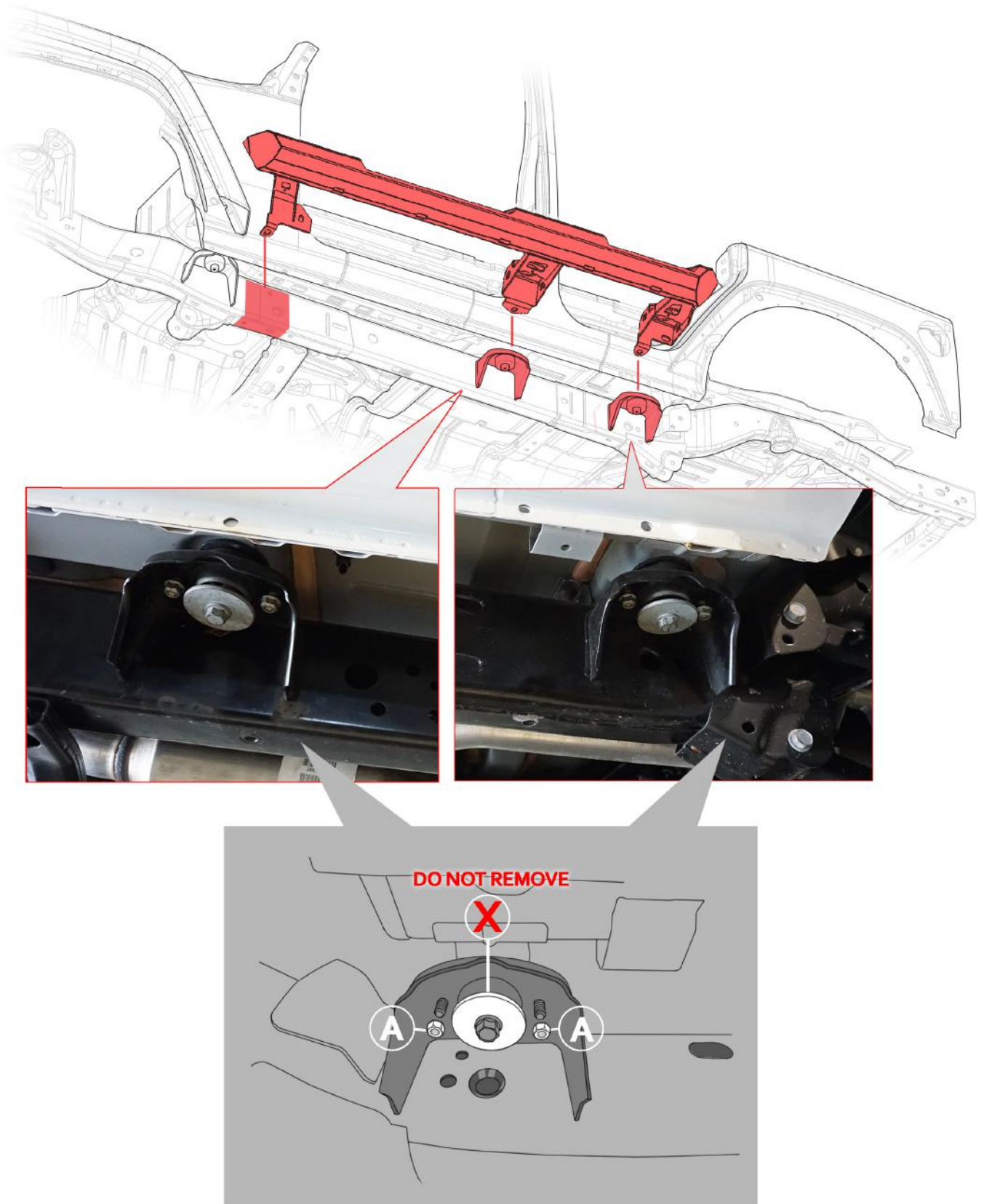
VERIFY YOU HAVE ALL THE COMPONENTS BEFORE STARTING THE INSTALLATION. REFER TO THE ENGINEERING DRAWINGS AT THE END OF THIS DOCUMENT FOR A COMPLETE PARTS LIST

PLEASE READ THROUGH THE ENTIRE INSTRUCTION SET BEFORE BEGINNING THE INSTALLATION PROCESS



Remove the stock rock sliders (if included on vehicle)

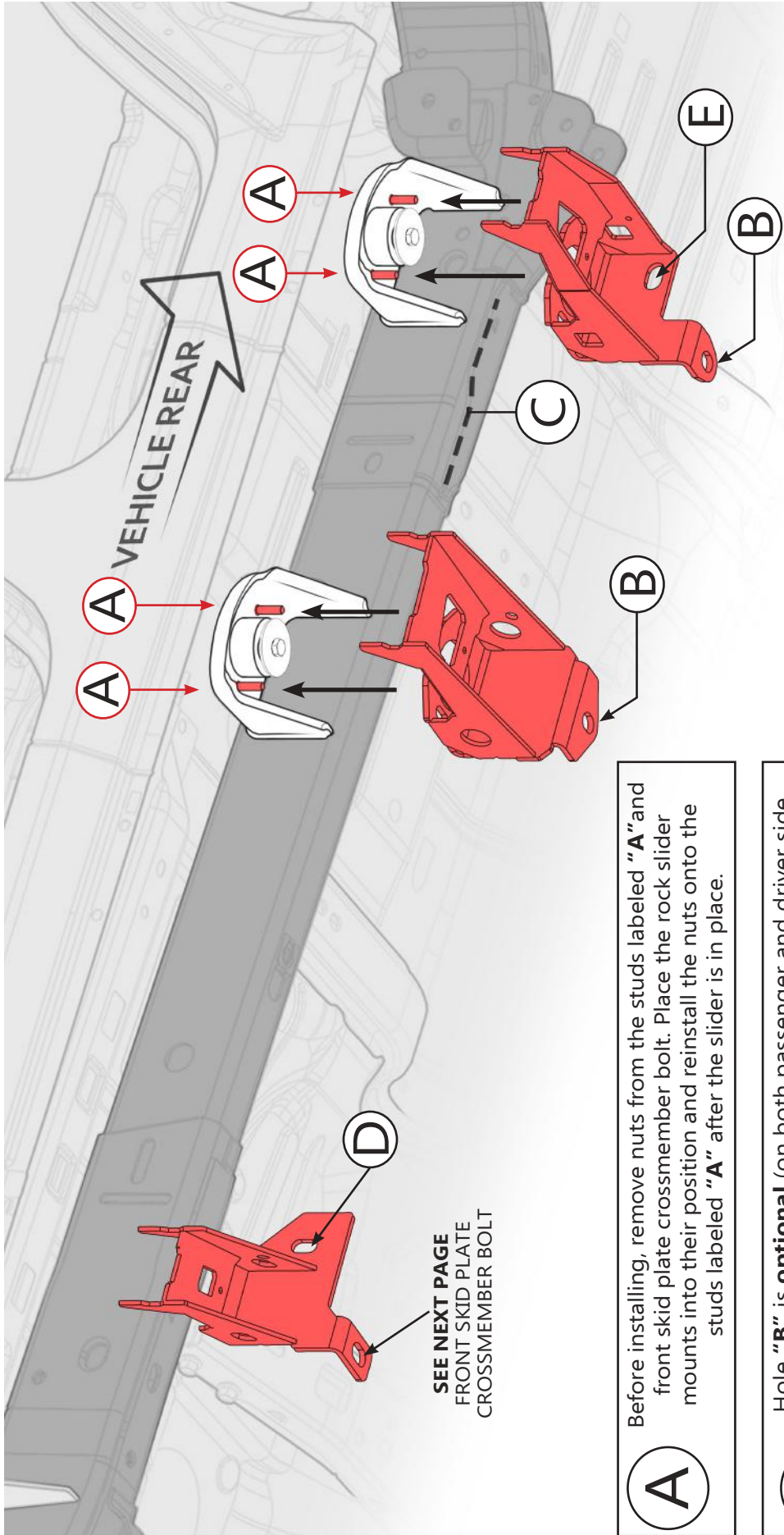
The rock sliders mount in the shown areas.



Remove the nuts in position "A"

You may need to loosen body bolt "X" to get mounts over washer, but DO NOT REMOVE.

FRONT, CENTER AND REAR MOUNTS - (DRIVER SIDE SHOWN)



SEE NEXT PAGE
FRONT SKID PLATE
CROSSMEMBER BOLT

A Before installing, remove nuts from the studs labeled "A" and front skid plate crossmember bolt. Place the rock slider mounts into their position and reinstall the nuts onto the studs labeled "A" after the slider is in place.

B Hole "B" is optional (on both passenger and driver side rear mount), but recommended for offroad use. Drill 7/16"Ø hole and insert the self tapping bolts provided. Slowly tighten until fully seated.

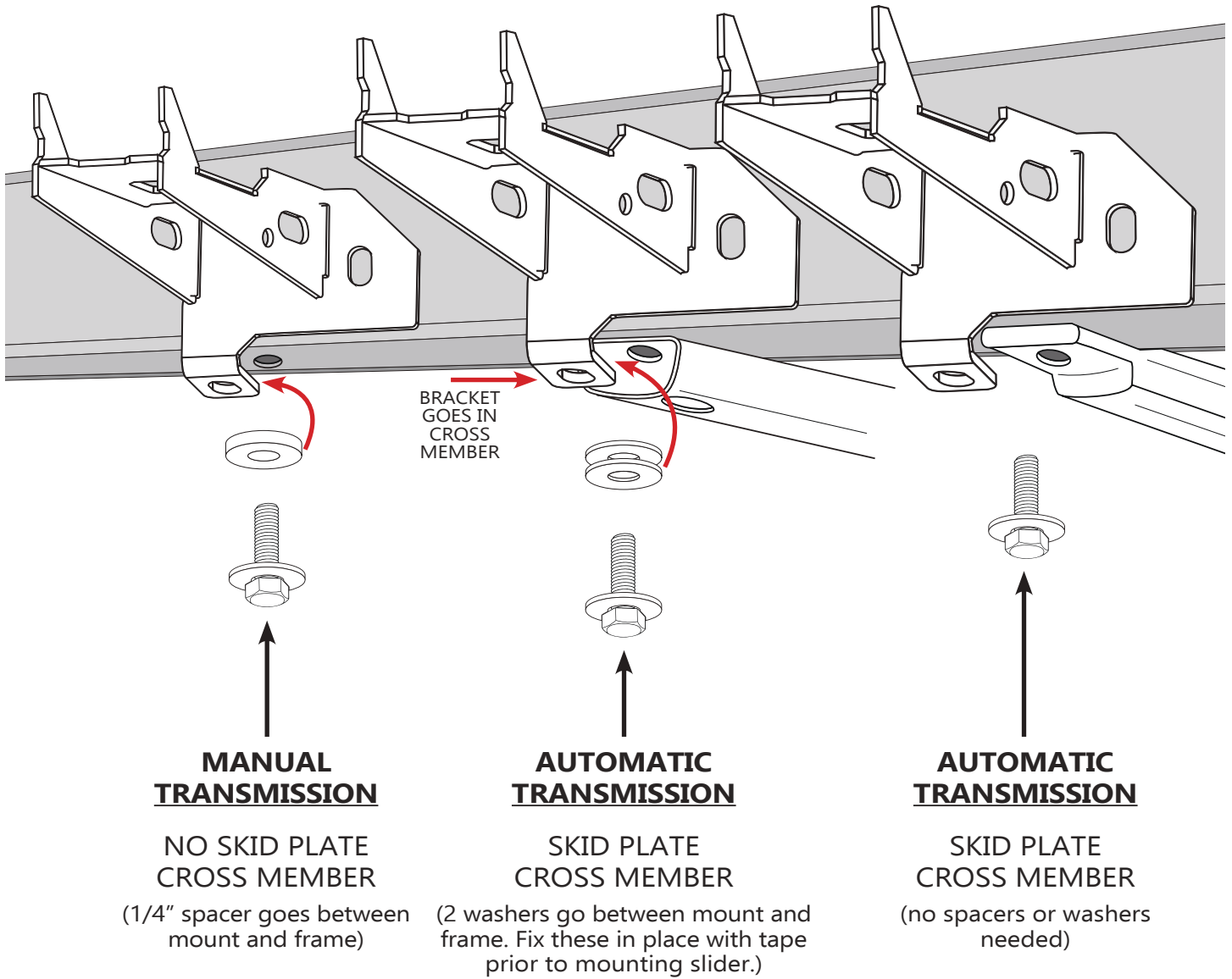
C Some welds and seams may need to be ground flat with a hand grinder. The dashed line, labeled "C," indicates where we had to grind a drippy weld.

D Install Ø1/2" x 4" long bolt with nut and washers. Use 1/4" backing washer on opposite side of frame rail.

DRIVER SIDE:
Install Ø1/2" x 4" long bolt with nut and washers. Use 1/4" backing washer on opposite side of frame rail.

PASSENGER SIDE:
Install Ø1/2" x 1 1/2" long bolt and washer. Use flag nut inside of frame rail.

E



Thoroughly tighten all of the bolts, and you should be all set!

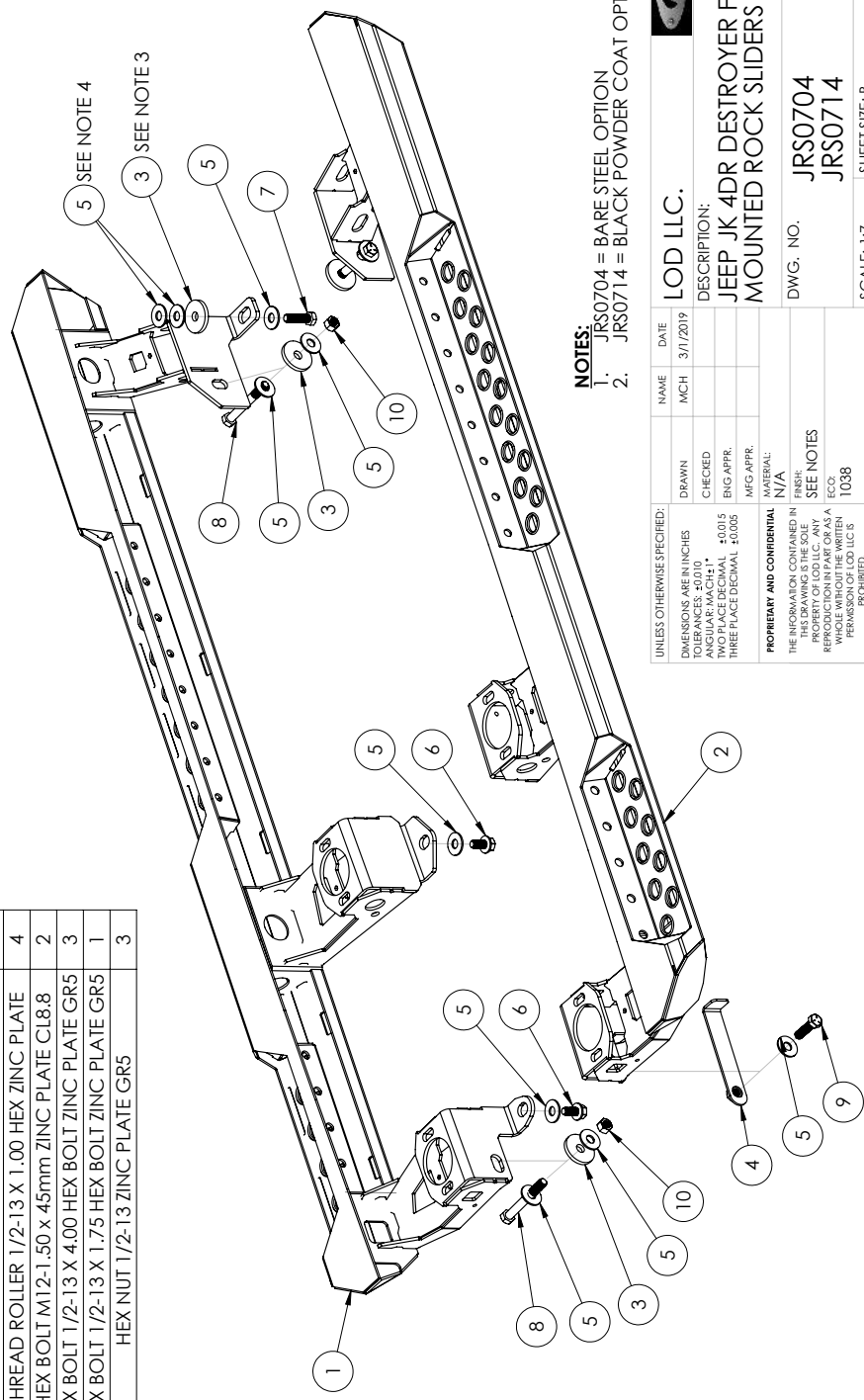


| ITEM NO. | PART NUMBER | DESCRIPTION | QTY. |
|----------|-------------|--------------------------|------|
| 1 | 4JRS0754-04 | JK DESTROYER DS WELDMENT | 1 |
| 2 | 4JRS0754-08 | JK DESTROYER PS WELDMENT | 1 |


HARDWARE

| ITEM NO. | PART NUMBER | DESCRIPTION | QTY. |
|----------|------------------|--|------|
| 3 | 2JRS0754-19 | BACKING WASHER / SPACER | 5 |
| 4 | 4JRS0754-09 | FLAG NUT 1/2-13 ZINC PLATE GR5 | 1 |
| 5 | FW50222P | FLAT WASHER Ø1/2" X 1.375" ZINC PLATE | 17 |
| 6 | TR5013167P | THREAD ROLLER 1/2-13 X 1.00 HEX ZINC PLATE | 4 |
| 7 | HB12150M457PCL88 | HEX BOLT M12-1.50 x 45mm ZINC PLATE CL8.8 | 2 |
| 8 | HB5013647PGR5 | HEX BOLT 1/2-13 X 4.00 HEX BOLT ZINC PLATE GR5 | 3 |
| 9 | HB5013287PGR5 | HEX BOLT 1/2-13 X 1.75 HEX BOLT ZINC PLATE GR5 | 1 |
| 10 | HN50137PGR5 | HEX NUT 1/2-13 ZINC PLATE GR5 | 3 |

- NOTES:**
- USE LARGE SPACER WASHER ONLY ON ON JEEPS WITH NO SKID PLATE CROSS MEMBER.
 - USE WASHERS ONLY ON ON JEEPS WITH TUBULAR SKID PLATE CROSS MEMBER.
 - NO SPACERS NEEDED FOR JEEPS WITH FLATTENED SKID PLATE CROSS MEMBER.



- NOTES:**
- JRS0704 = BARE STEEL OPTION
 - JRS0714 = BLACK POWDER COAT OPTION

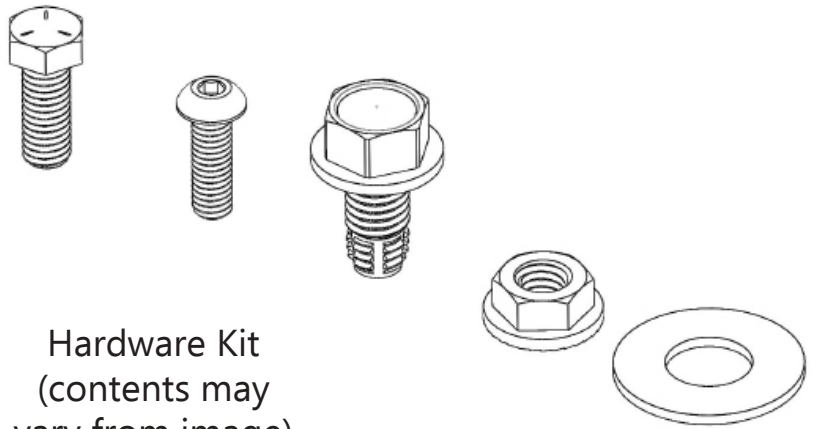


| | | | |
|--|---------|----------------------|-----------|
| NAME | MCH | DATE | 3/1/2019 |
| DRAWN | CHECKED | ENG APPR. | MFG APPR. |
| DIMENSIONS ARE IN INCHES UNLESS OTHERWISE SPECIFIED: TWO PLACE DECIMAL ±0.015 THREE PLACE DECIMAL ±0.005 | | | |
| PROPRIETARY AND CONFIDENTIAL | | | |
| THE INFORMATION CONTAINED IN THIS DRAWING IS THE SOLE PROPERTY OF LOD LLC. ANY REPRODUCTION IN PART OR AS A WHOLE WITHOUT THE WRITTEN PERMISSION OF LOD LLC IS PROHIBITED. | | | |
| DESCRIPTION: JEEP JK 4DR DESTROYER FRAME MOUNTED ROCK SLIDERS | | MATERIAL: N/A | |
| DWG. NO. JRS0704 JRS0714 | | FINISH: SEE NOTES | |
| SCALE: 1:7 | | ECC: 1038 | |
| SHEET SIZE: B | | REV A | |
| SHEET 1 OF 1 | | | |

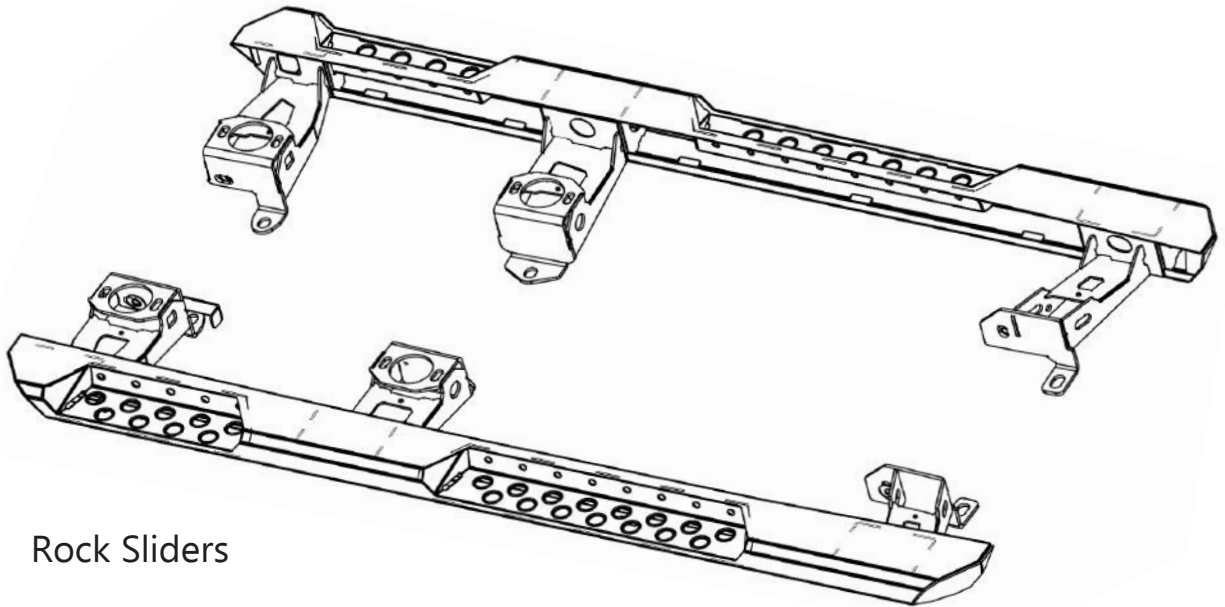


JK Jeep
Destroyer Series
Rock Sliders
Shipping Sheet
Packaged by:

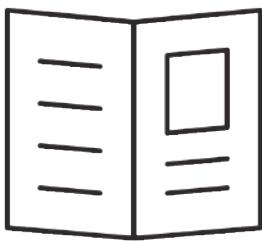
On:



Hardware Kit
(contents may vary from image)



Rock Sliders



Instruction Booklet



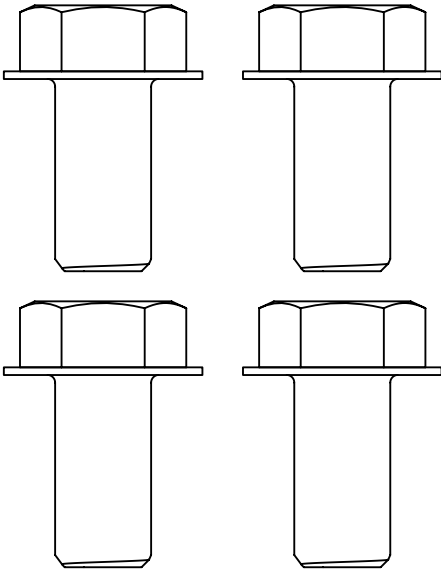
**JK Jeep
Destroyer Series**

Rock Sliders

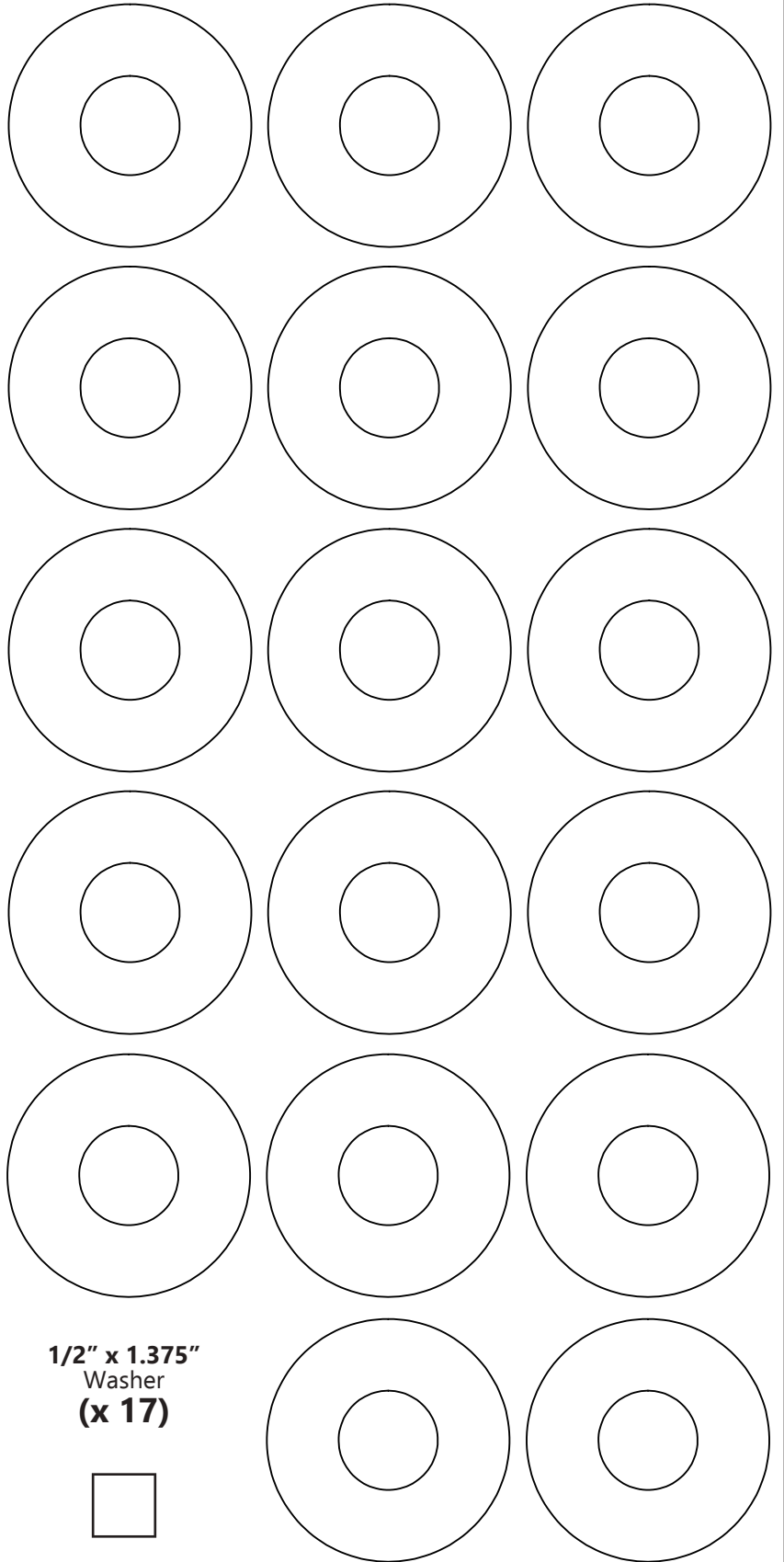
Bolt Kit

Packaged by:

On:



**1/2" (13) x 1"
Thread Roller
(x 4)**



**1/2" x 1.375"
Washer
(x 17)**



