



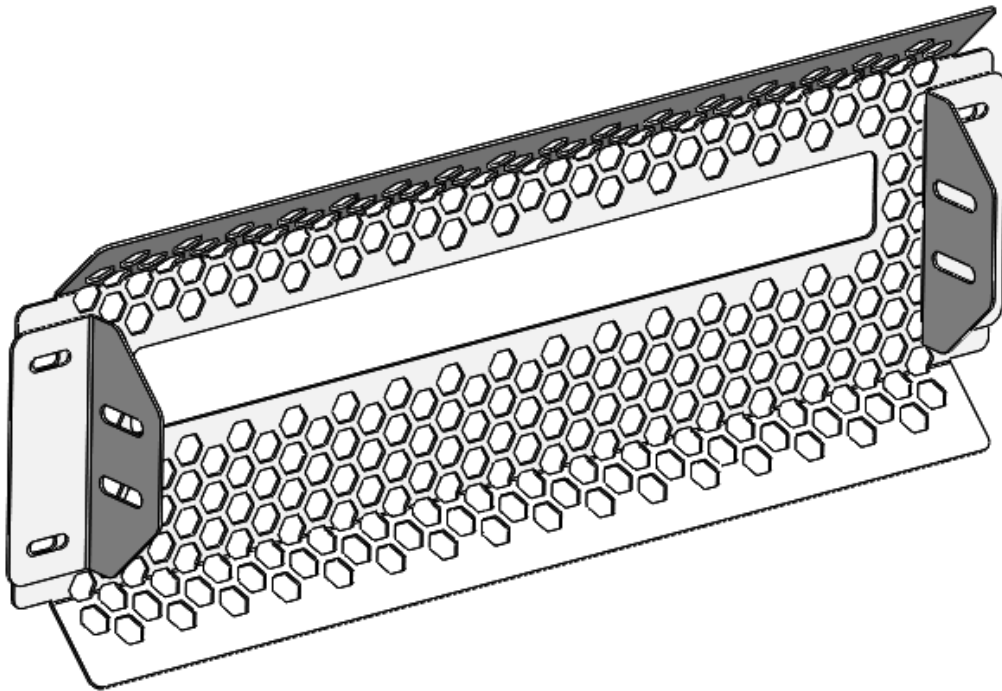
DESTROYER SERIES

TRUCK

FRONT CENTER 20" LIGHT
BAR SCREEN



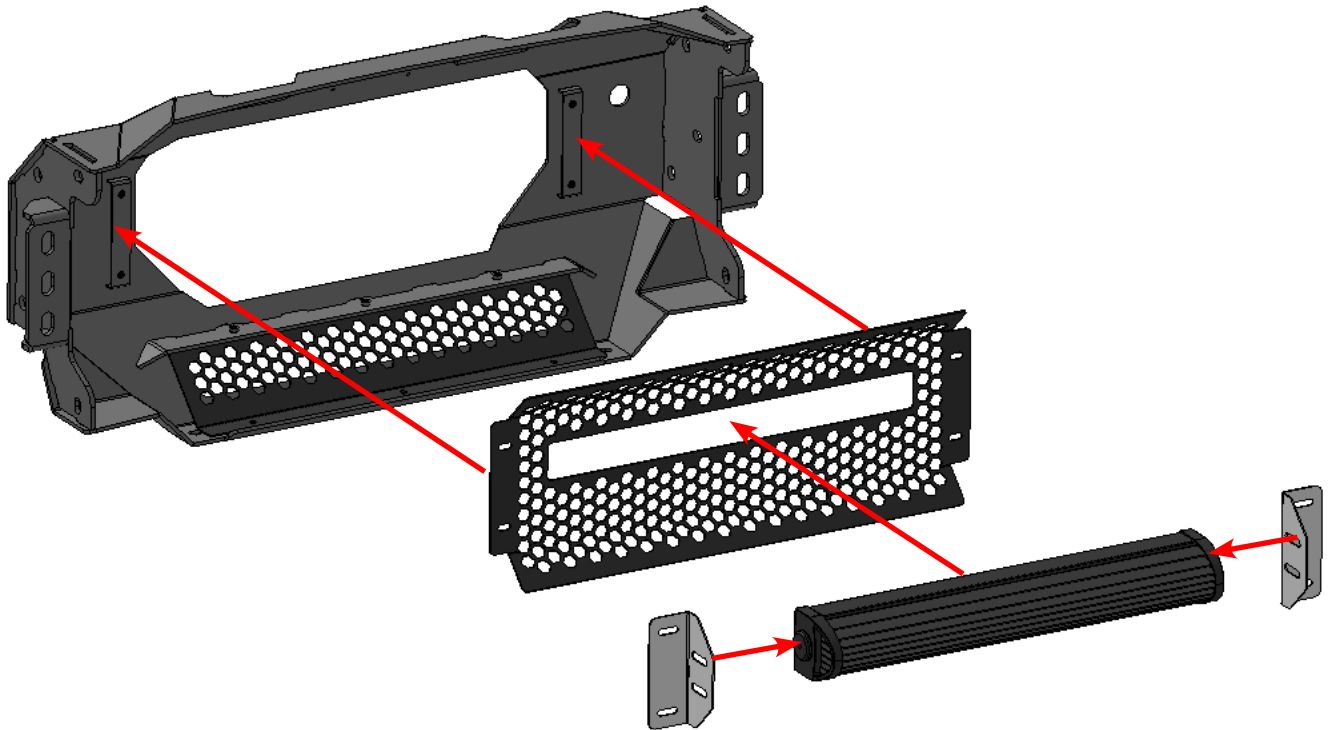
VERIFY YOU HAVE ALL THE COMPONENTS BEFORE STARTING THE INSTALLATION. REFER TO THE ENGINEERING DRAWINGS AT THE END OF THIS DOCUMENT FOR A COMPLETE PARTS LIST



Loosely install your 20" LED Light Bar to the two Light Mount Brackets using the hardware that was provided with your LED Light.

Loosely assemble the LED Light Bar and Light Mount Brackets to the tabs on the inside of the Bumper Center using Ø1/4" Button Head Screws provided with your bumper. Your Light Mount Screen will sandwich between the Bumper and Light Mount Brackets.

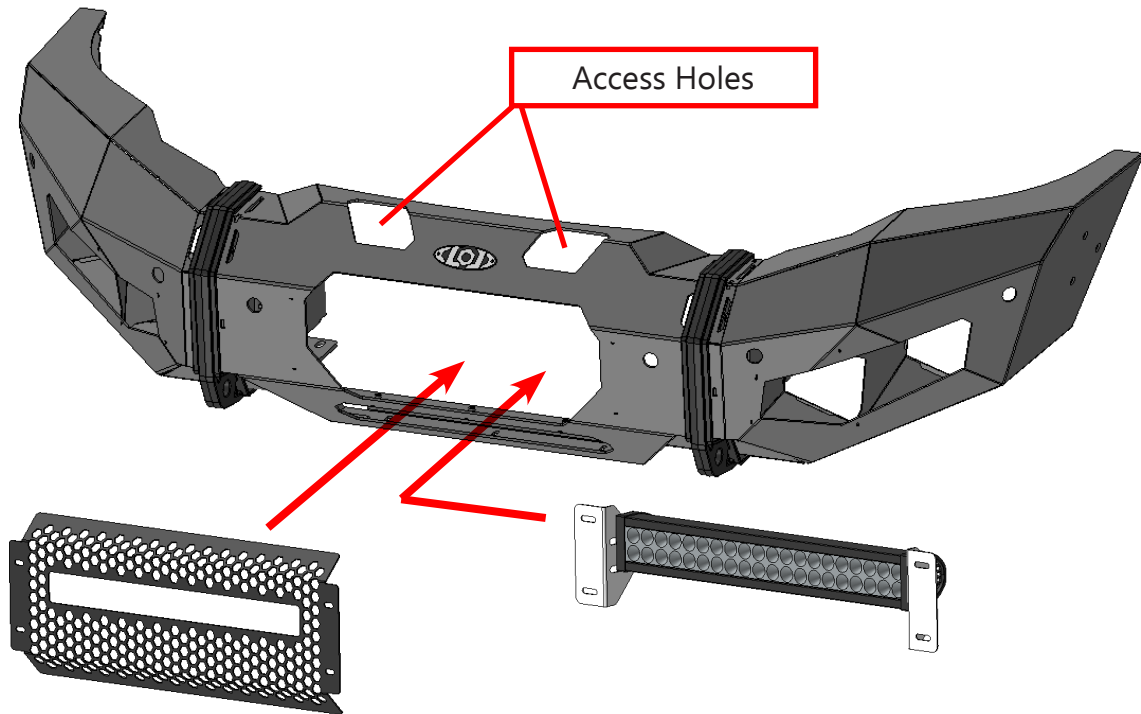
Be sure to adjust the LED Light Bar and Screen so they are centered. Once everything is in the correct position, tighten all the fasteners securely.



Alternative Installation:

Depending on your truck, you can install the Front Light Mount after the bumper is already installed on your truck.

Remove the Front Screen that came with your bumper. Then install the Front Light Mount by carefully inserting LED light bar and Light Mount Brackets thru the hole. This will take a bit of maneuvering. Set the LED light bar in place then insert the Front Light Mount Screen thru the hole in same manner. Then using the access holes in the top of the bumper, secure the LED light bar and the Front Light Mount Screen securely.

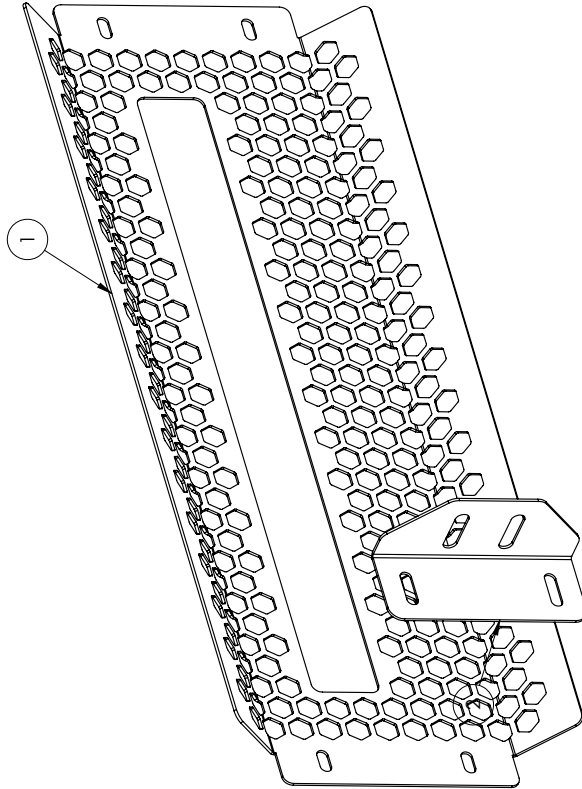


Maintenance

- Periodically check and re-tighten all fasteners.
-
- Periodically check your product for scratches, dings, or rust spots which can happen over time or after heavy use. It is important to address these areas as soon as possible to prevent rust and corrosion from spreading. We recommend using Rustoleum® brand Black Semi-Gloss Protective Enamel (oil based). Apply using a foam brush by dabbing to match the powder coat texture.



ITEM NO.	PART NUMBER	DESCRIPTION	QTY.
1	2MLM2020-01	FRONT LIGHT MOUNT SCREEN	1
2	2MLM2020-02	LIGHT MOUNT BRACKET	2



NOTES:
 1. MLM2020 = BARE STEEL OPTION
 2. MLM2021 = BLACK POWDER COAT

UNLESS OTHERWISE SPECIFIED:		DRAWN	NAME	DATE
DIMENSIONS ARE IN INCHES		MCH	MCH	6/15/2021
TOLERANCES: ±0.010		CHECKED		
ANGULAR: MACH 1°		ENG APPR.		
TWO PLACE DECIMAL ±0.015		MFG APPR.		
THREE PLACE DECIMAL ±0.005		MATERIAL:		
		FINISH:		
		SEE NOTES		
		PROPERTY OF LOD LLC. ANY		
		REPRODUCTION OR TRANSMISSION		
		WHOLE WITHOUT THE WRITTEN		
		PERMISSION OF LOD LLC IS		
		PROHIBITED.		
LOD LLC.				
DESCRIPTION: DESTROYER 20" LIGHT BAR CENTER SCREEN				
DWG. NO. MLM2020 MLM2021				
SCALE: 1:3 SHEET SIZE: B				
REV A				
SHEET 1 OF 1				



**TRUCK
DESTROYER SERIES
FRONT CENTER 20" LIGHT
BAR SCREEN**

SHIPPING SHEET

Packaged by:

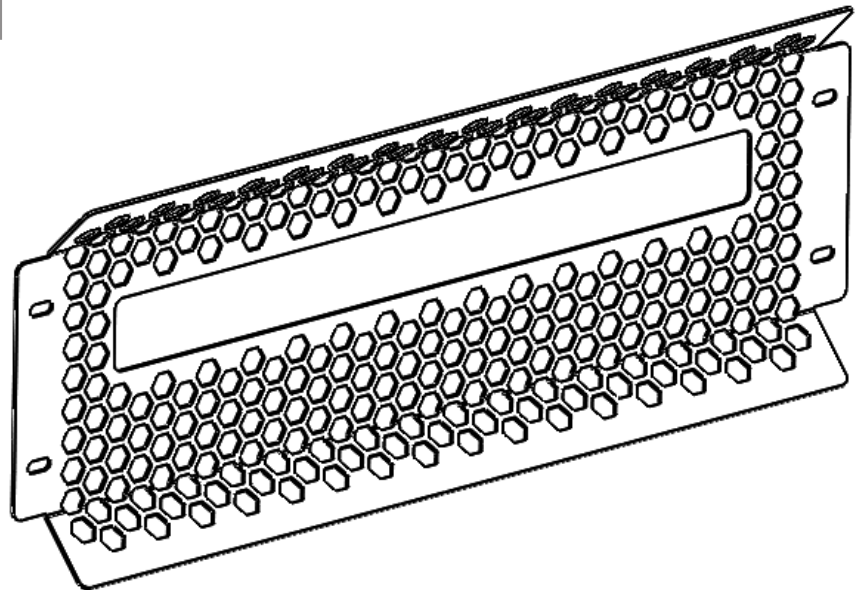
On:



INSTRUCTION
SHEET



FRONT LIGHT MOUNT SCREEN
2MLM2020-01
(x1)



LIGHT MOUNT BRACKET
2MLM2020-02
(x2)

