



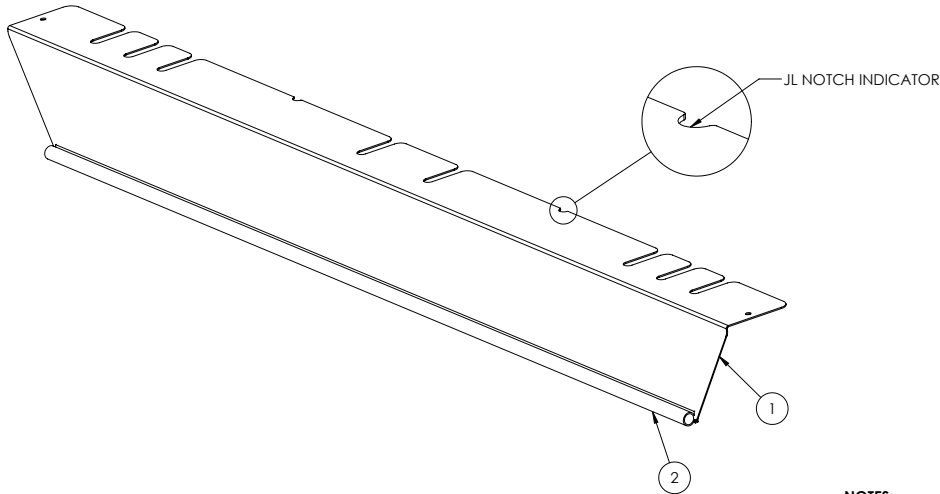

**DESTROYER SERIES**




**JL WIND DEFLECTOR**

**\*PLEASE READ THROUGH THE INSTRUCTIONS BEFORE BEGINNING ANY PART OF THE INSTALLATION PROCESS\***

ITEM NO.	PART NUMBER	DESCRIPTION	QTY.
1	2JWD1890-01	JL WIND DEFLECTOR	1
2	TR1002	RUBBER EDGE TRIM BULB SEAL	48"



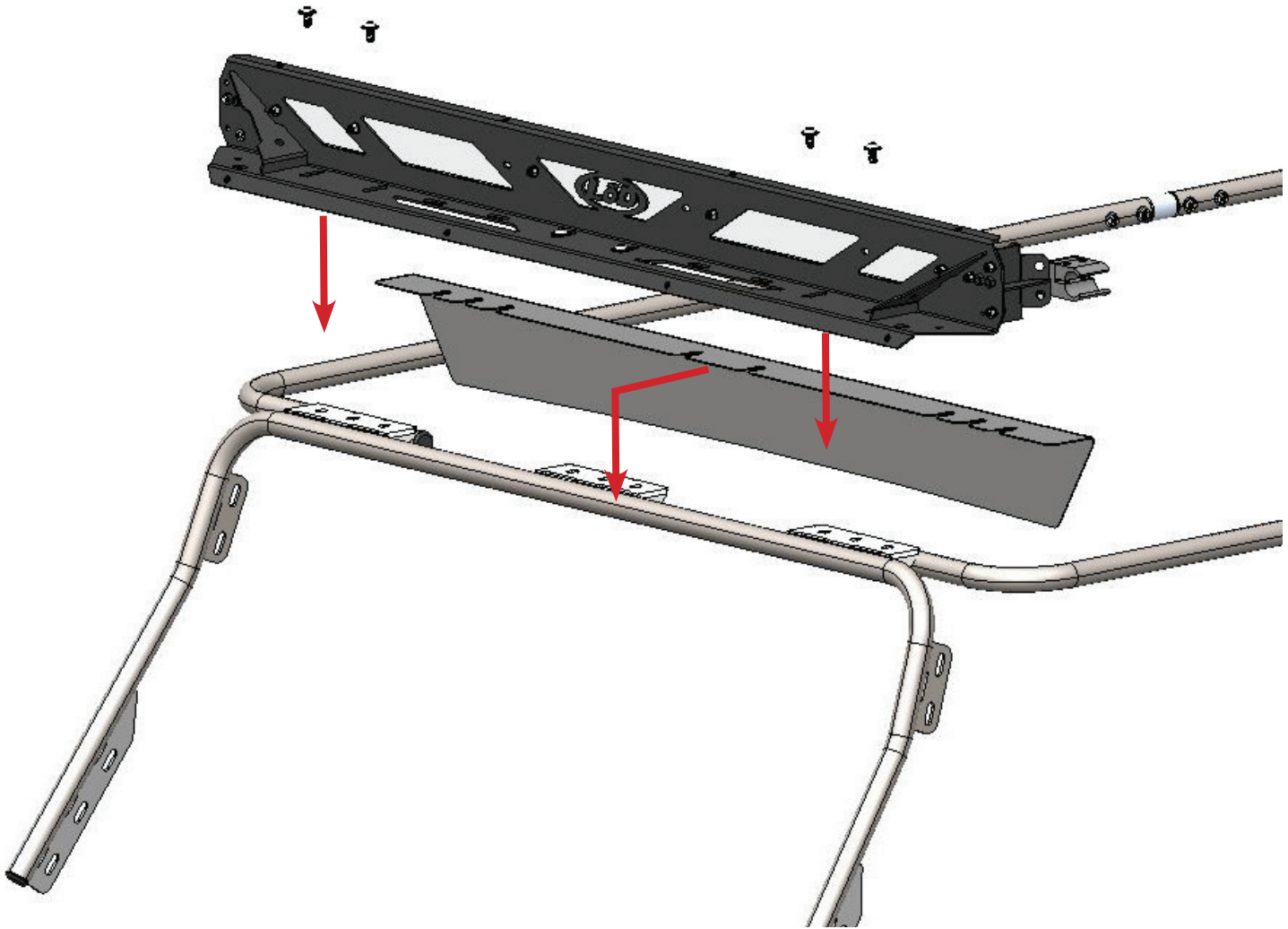
- NOTES:**
- JWD1890 = BARE STEEL OPTION
  - JWD1891 = BLACK POWDER COAT OPTION

UNLESS OTHERWISE SPECIFIED: DIMENSIONS ARE IN INCHES TOLERANCES: ±0.010 ANGULAR: MACH ±1° TWO PLACE DECIMAL ±0.015 THREE PLACE DECIMAL ±0.005	DRAWN	NAME	DATE	LOD LLC.	
	CHECKED	MCH	9/5/2019		
<b>PROPRIETARY AND CONFIDENTIAL</b> THE INFORMATION CONTAINED IN THIS DRAWING IS THE SOLE PROPERTY OF LOD LLC. ANY REPRODUCTION IN PART OR AS A WHOLE WITHOUT THE WRITTEN PERMISSION OF LOD LLC IS PROHIBITED.	ENG APPR.	DESCRIPTION:		JL WIND DEFLECTOR	
	MFG APPR.	DWG. NO.	JWD1890	REV	B
	MATERIAL:	JWD1891			
	FINISH:	BLACK POWDER COAT			
	FCCO:	SCALE: 1:4	SHEET SIZE: B	SHEET 1 OF 1	

Your Wind Deflector is installed between the Base Rack Windshield Hoop and the Slide Beam of the Sliding Rack Option.

Adjust the position of the Wind Deflector so that the Rubber Edge Trim is compressed against the windshield.

You can install the Wind Deflector at anytime simply by removing the 6 Button Head Screws. Carefully lift up on the Slide Beam and insert the Wind Deflector as shown below.





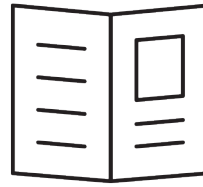
**JL Jeep**  
**DESTROYER SERIES**  
 ROOF RACK  
 WIND DEFLECTOR  
 SHIPPING SHEET

Packaged by:

\_\_\_\_\_

On:

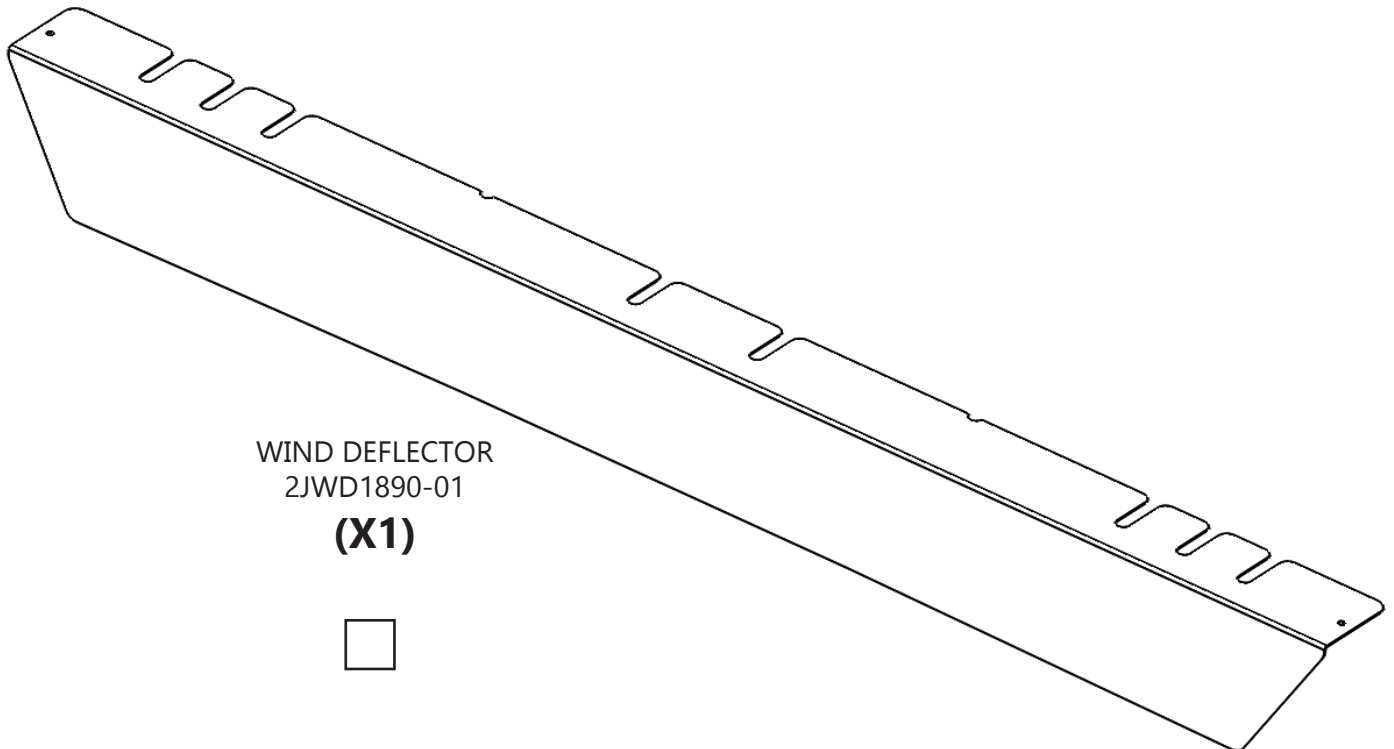
\_\_\_\_\_



Instruction  
Booklet



BULB SEAL  
 TR1002  
**(48 INCHES)**



WIND DEFLECTOR  
 2JWD1890-01  
**(X1)**

