



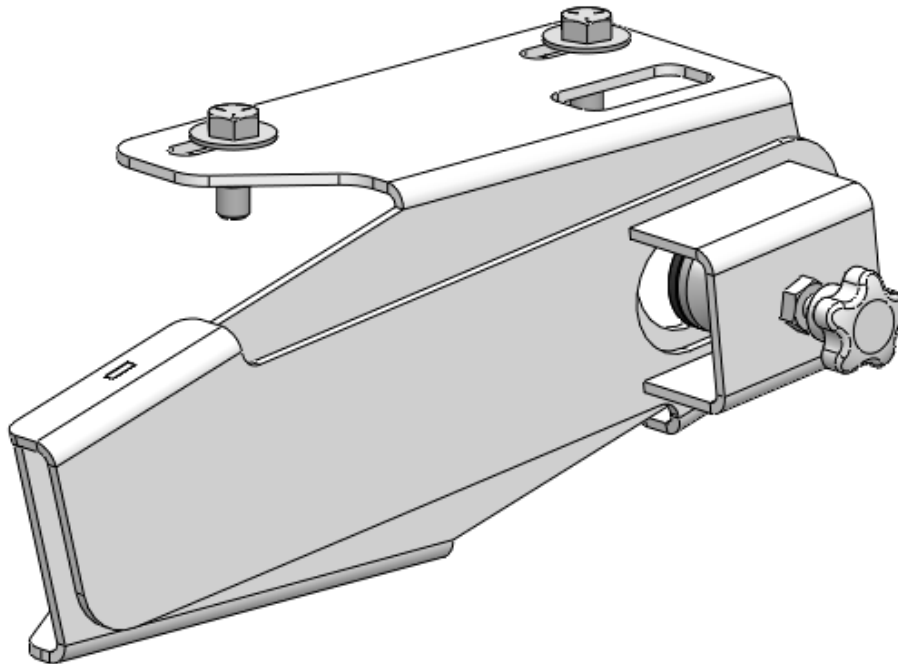
BLACK OPS SERIES

JT

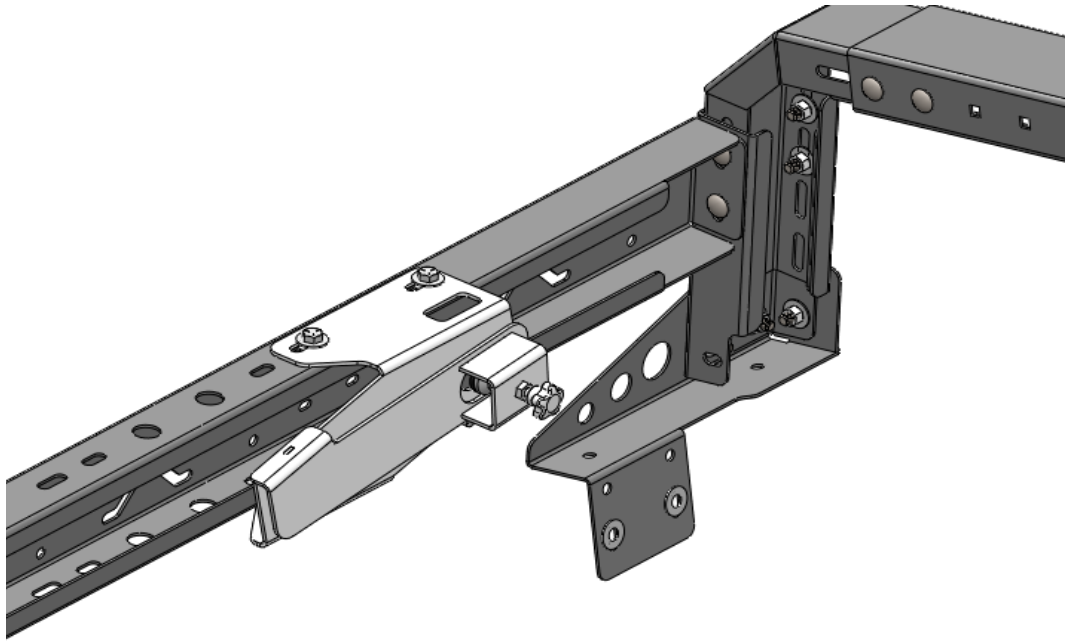
BED RACK SAW MOUNT



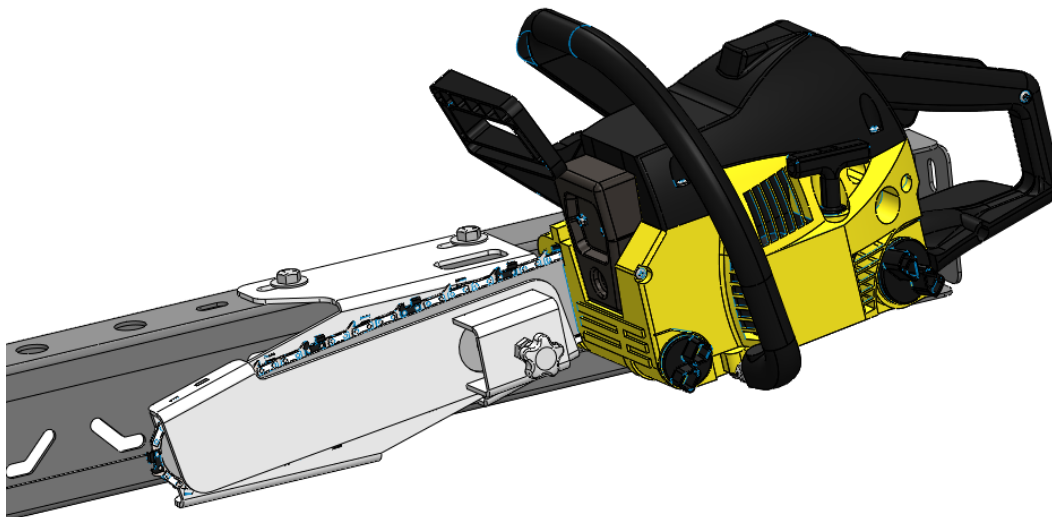
VERIFY YOU HAVE ALL THE COMPONENTS BEFORE STARTING THE INSTALLATION. REFER TO THE ENGINEERING DRAWINGS AT THE END OF THIS DOCUMENT FOR A COMPLETE PARTS LIST



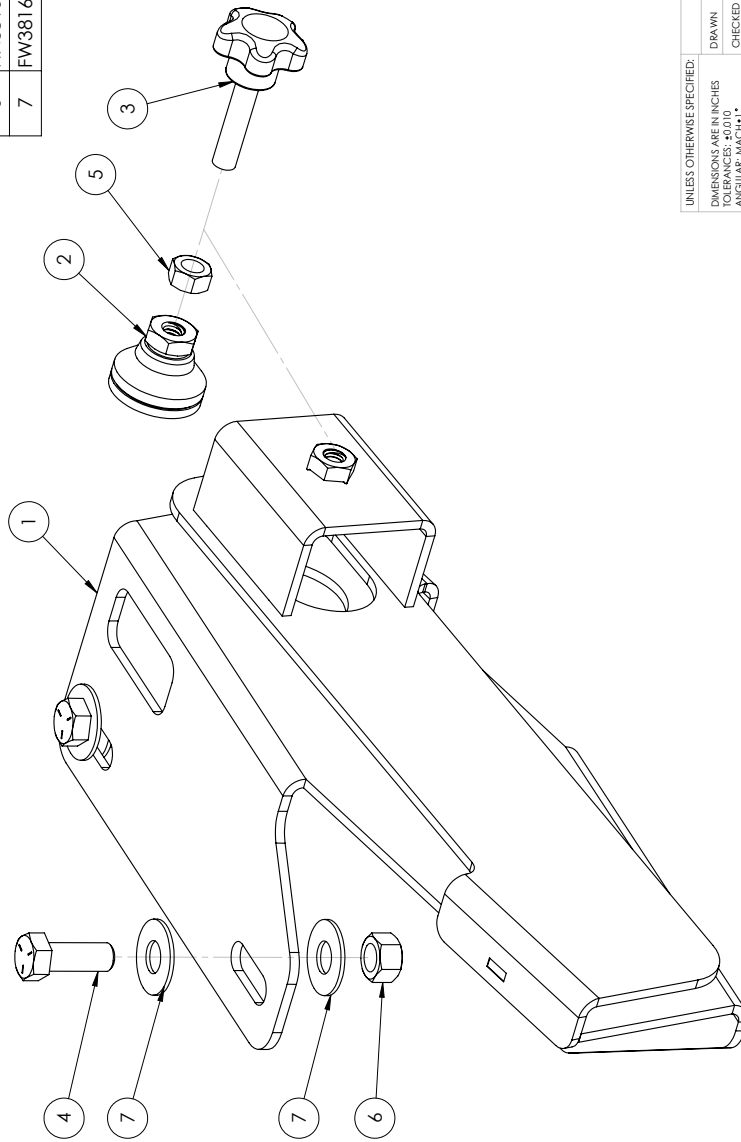
Install the Saw Mount on the Bed Rack Span Member as shown using the Ø3/8 Hex Bolts, Nuts and Washers.



Place the chainsaw fully into the Saw Mount as shown below. The Saw Mount will cradle the bar of the chainsaw. Tighten the knob on the Saw Mount so that it squeezes against the bar of the chainsaw.



ITEM NO.	PART NUMBER	DESCRIPTION	QTY.
1	4JTM2020-01	SAW MOUNT WELDMENT	1
2	BP1002	LEVELING BUMPER, 5/16-18	1
3	KN1004	KNOB, 5/16-18 x 1.56" LG THREADED STUD	1
4	HB381616ZPGR5	HEX BOLT 3/8-16 X 1.00 ZINC PLATE GR5	3
5	HN3118ZPGR5	HEX NUT 5/16-18 ZINC PLATE GR5	1
6	HN3816ZPGR5	HEX NUT 3/8-16 ZINC PLATE GR5	3
7	FW3816ZP	FLAT WASHER Ø3/8" X 1.00 ZINC PLATE	6



NOTES:

1. JTM2022 = BARE STEEL OPTION
2. JTM2023 = BLACK POWDER COAT
3. WEIGHT = APPROX 5 LBS

UNLESS OTHERWISE SPECIFIED:		NAME	DATE
DIMENSIONS ARE IN INCHES		MCH	10/25/2022
TOLERANCES: ±0.010		DRAWN	
ANGULAR: MACH ±1°		CHECKED	
HOLE POSITION: ±0.015		ENG APPR.	
THREE PLACE DECIMAL ±0.005		MFG APPR.	
PROPRIETARY AND CONFIDENTIAL		MATERIAL	
THE INFORMATION CONTAINED IN THIS DRAWING IS THE PROPERTY OF LOD LLC. ANY REPRODUCTION IN PART OR AS A WHOLE WITHOUT THE WRITTEN PERMISSION OF LOD LLC IS PROHIBITED.		N/A	
FINISH: SEE NOTES		DWG. NO. JTM2022	
REVISIONS: SEE NOTES		JTM2023	
SCALE: 1:1.5		SHEET SIZE: B	
REV A		SHEET 1 OF 1	



LOD LLC.

DESCRIPTION:
SAW MOUNT

DWG. NO.

JTM2022
JTM2023

SCALE: 1:1.5

SHEET SIZE: B

REV A

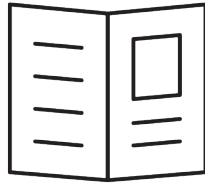
SHEET 1 OF 1



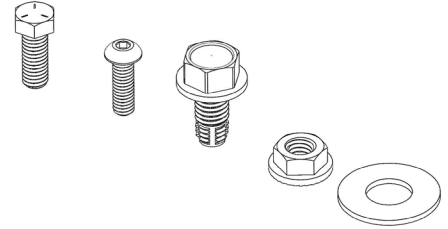
JT Jeep
BLACK OPS SERIES
BED RACK SAW MOUNT
SHIPPING SHEET

Packaged by:

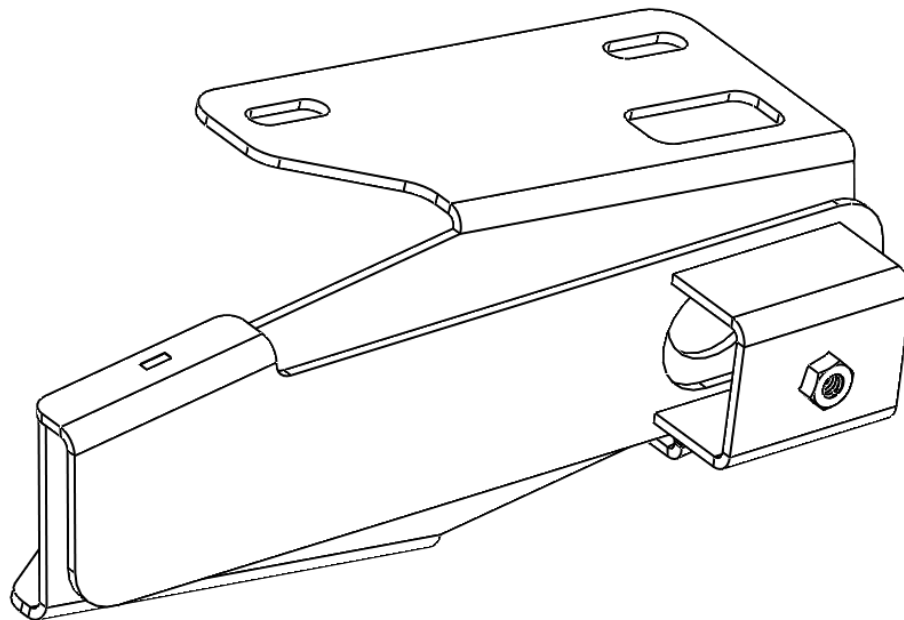
On:



Instruction
Booklet



BOLT KIT
(may vary)



SAW MOUNT WELDMENT
4JTM2022-01

(x1)

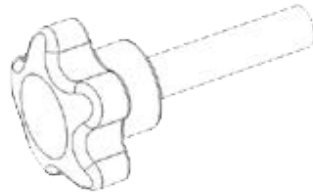




JT Jeep
BLACK OPS SERIES
 JEEP JT BED RACK
 SAW MOUNT
 BOLT KIT

Packaged by:

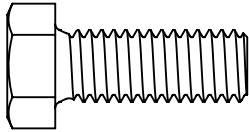
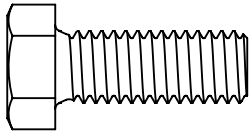
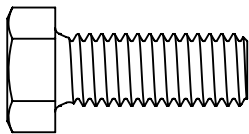
On:



KNOB, 5/16-18 X 1.56"
 LONG THREADED STUD
 KN1004
(x1)



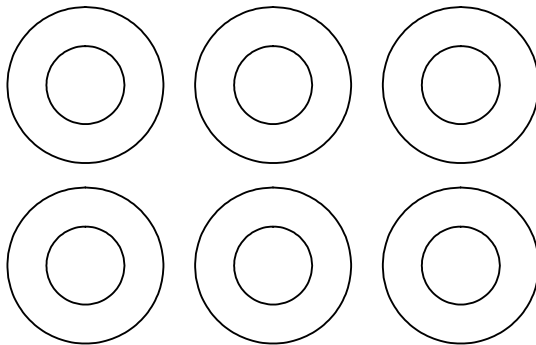
Leveling Bumper,
 5/16-18
 BP1002
(x1)



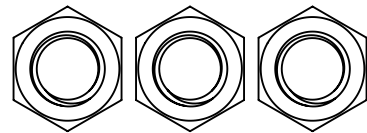
HEX BOLT
 3/8-16 X 1.00"
 113105
(x3)



HEX NUT 5/16-18
 1136304
(x1)



FLAT WASHER
 Ø3/8 X 1.00
(x6)



HEX NUT 3/8-16
 1136306
(x3)

