



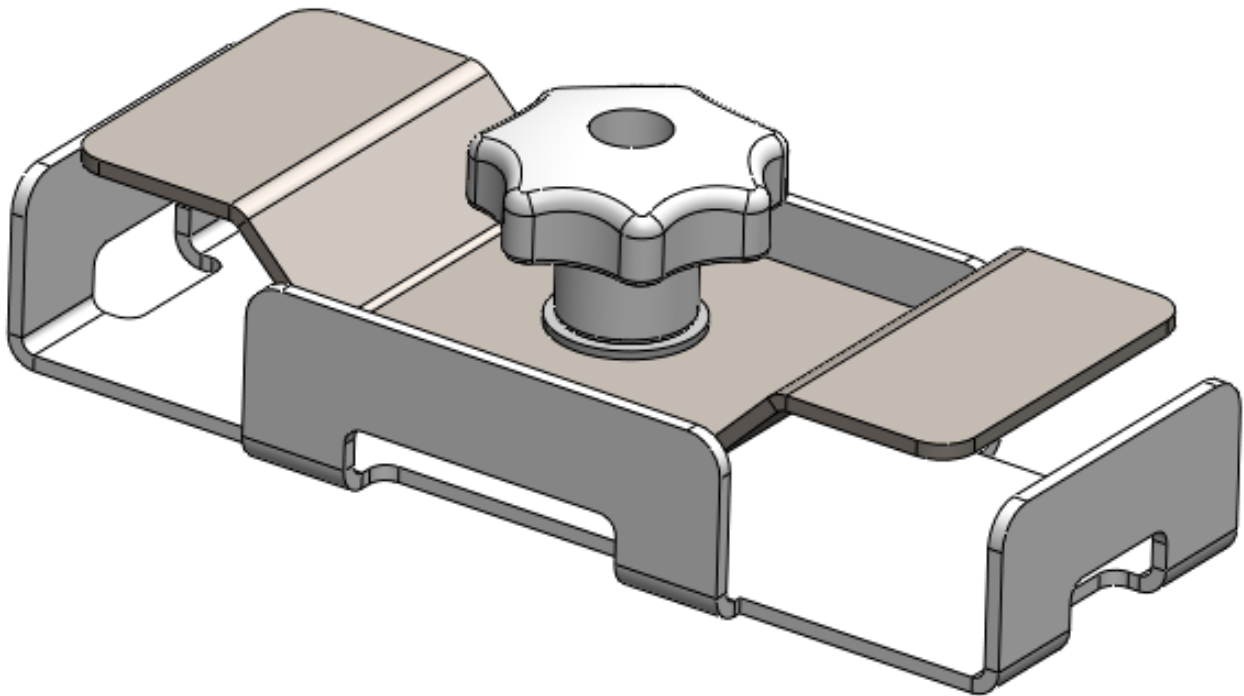
BLACK OPS SERIES

JT

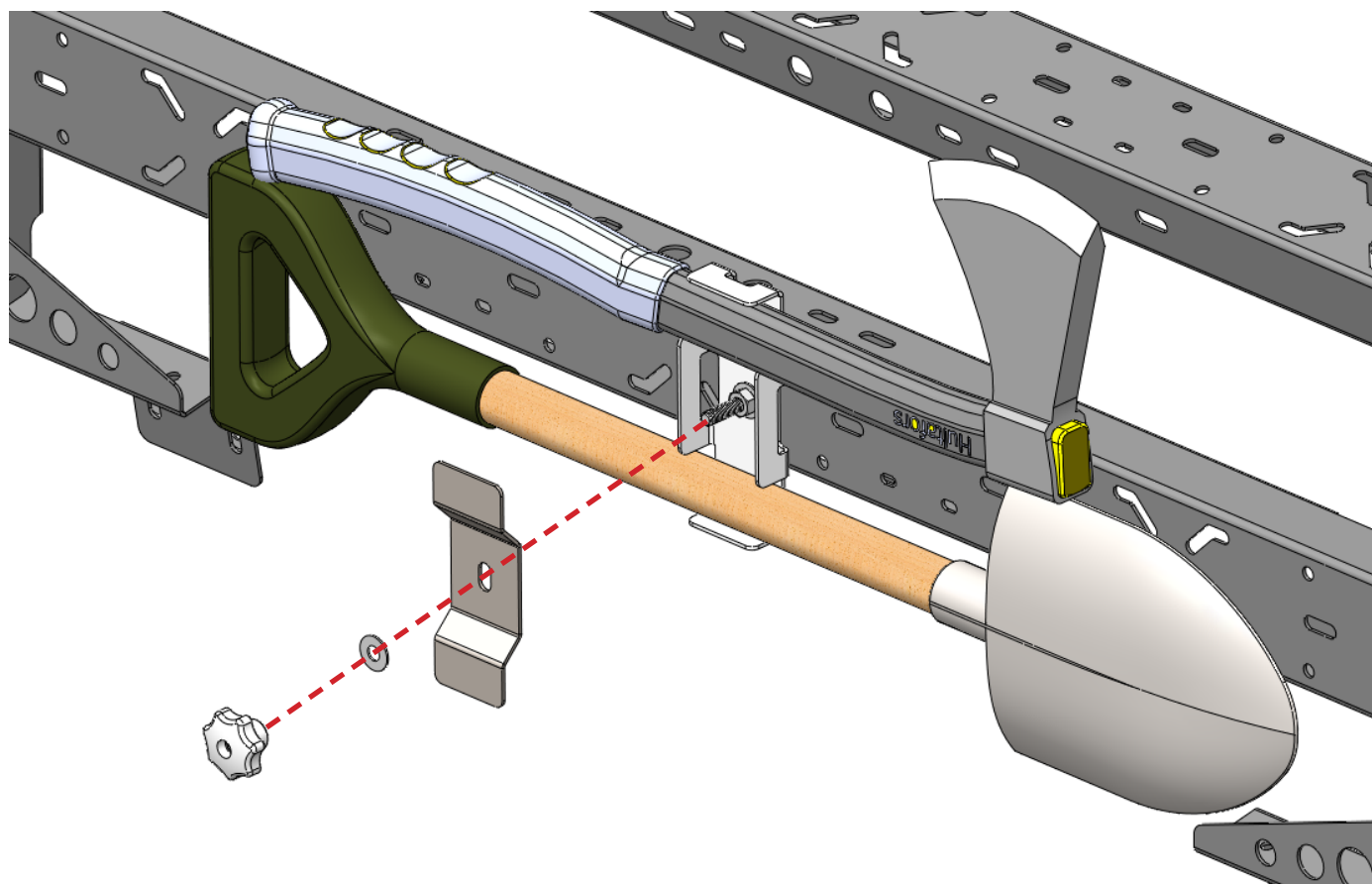
**BED RACK TRAIL TOOL
MOUNT**



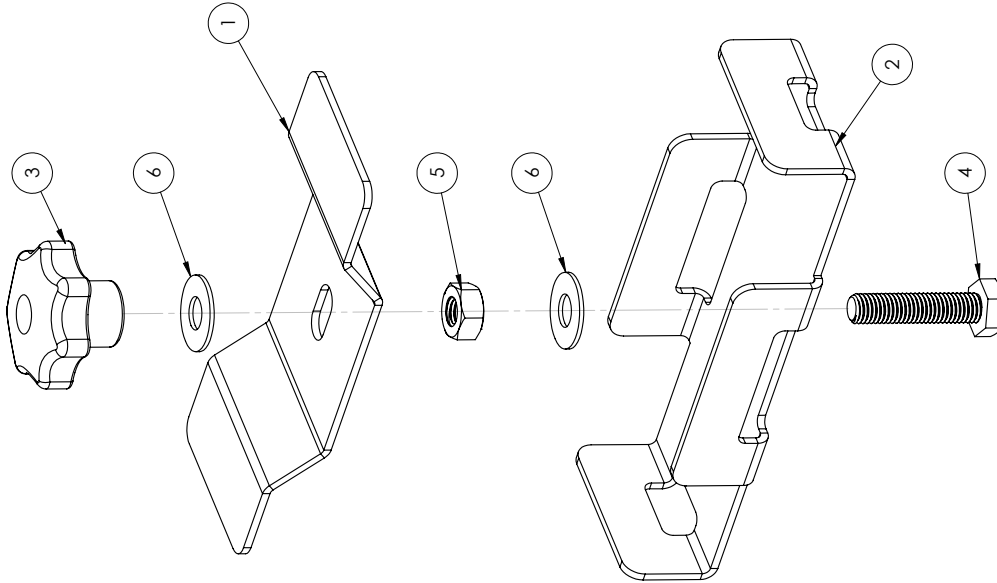
VERIFY YOU HAVE ALL THE COMPONENTS BEFORE STARTING THE INSTALLATION. REFER TO THE ENGINEERING DRAWINGS AT THE END OF THIS DOCUMENT FOR A COMPLETE PARTS LIST



Install the Tool Mount Brackets in any position on the rack using the Hex Bolt and Nut and tighten securely. Use the threaded knob to secure the tools in place on the mount. Depending on the size of the tools being mounted, you may need two mounts to carry them securely.



ITEM NO.	PART NUMBER	DESCRIPTION	QTY.
1	2JTM2020-02	TOOL MOUNT CLAMP PLATE	1
2	2JTM2020-01	TRAIL TOOL MOUNT BASE	1
3	KN11002	KNOB, M10X1.5 THREADED HOLE, PLASTIC	1
4	HB10150M45ZPCL88	HEX BOLT M10-1.50 x 45mm ZINC PLATE CL8.8	1
5	HN10150MZPCL8	HEX NUT M10 X 1.50mm ZINC PLATE CL8	1
6	FW3816ZP	FLAT WASHER Ø3/8" X 1.00 ZINC PLATE	3



- NOTES:**
- JTM2020 = BARE STEEL OPTION
 - JTM2021 = BLACK POWDER COAT
 - WEIGHT = APPROX 1.42 LBS

UNLESS OTHERWISE SPECIFIED:		NAME	DATE
DIMENSIONS ARE IN INCHES		MCH	9/20/2022
TOLERANCES: ±0.010	DRAWN		
ANGULAR: MACH 1°	CHECKED		
TWO PLACE DECIMAL	ENG APPR.		
THREE PLACE DECIMAL ±0.005	MFG APPR.		
	APPROVAL:		
	N/A		
PROPRIETARY AND CONFIDENTIAL		LOD LLC.	
THE INFORMATION CONTAINED IN THIS DRAWING IS THE SOLE PROPERTY OF LOD LLC. ANY REPRODUCTION OR TRANSMISSION OF THIS DRAWING IN ANY MANNER WITHOUT THE WRITTEN PERMISSION OF LOD LLC IS PROHIBITED.		DESCRIPTION: TRAIL TOOL MOUNT	
BLACK POWDER COAT		DWG. NO.	JTM2020
			JTM2021
		SCALE:	1:1.5
		SHEET SIZE:	B
		REV	A
			SHEET 1 OF 1

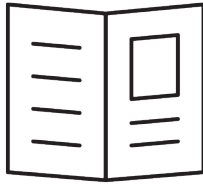




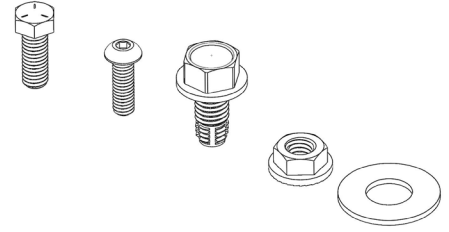
JT Jeep
BLACK OPS SERIES
 BED RACK TRAIL TOOL
 MOUNT
 SHIPPING SHEET

Packaged by:

On:



Instruction
Booklet

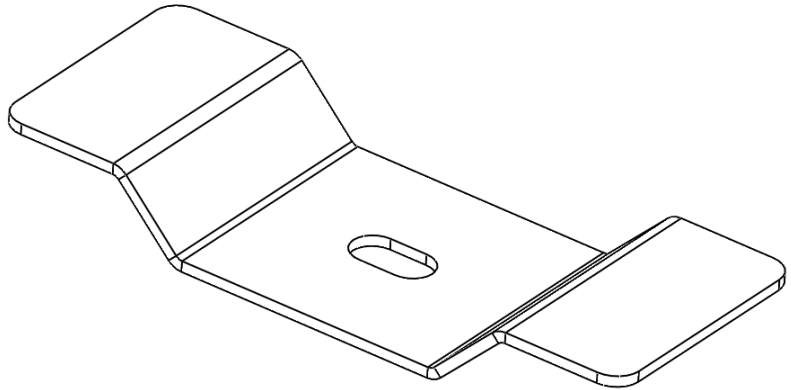


BOLT KIT
(may vary)



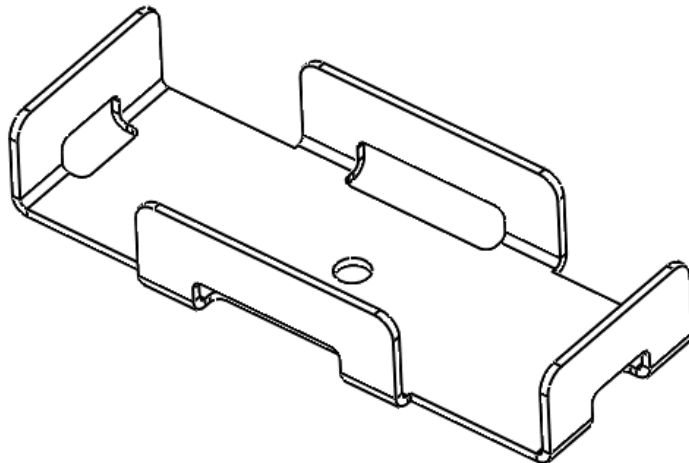
TOOL MOUNT CLAMP
PLATE
2JTM2020-02

(x1)



TOOL MOUNT BASE
2JTM2020-01

(x1)





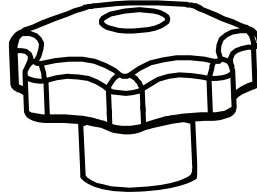
**JT Jeep
BLACK OPS SERIES**

JEEP JT BED RACK

BOLT KIT

Packaged by:

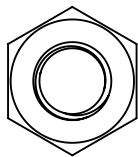
On:



KNOB, M10X1.5
THREADED HOLE

KN1002

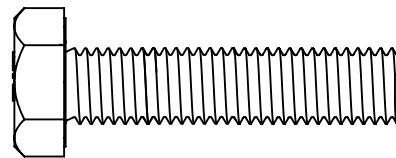
(x1)



HEX NUT M10-1.50

40308

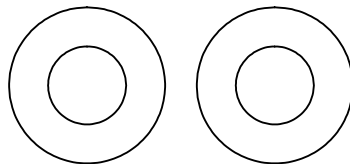
(x1)



HEX BOLT M10-1.50 X 45MM

(38659)

(x1)



FLAT WASHER

Ø3/8 X 1.00

(x2)

