



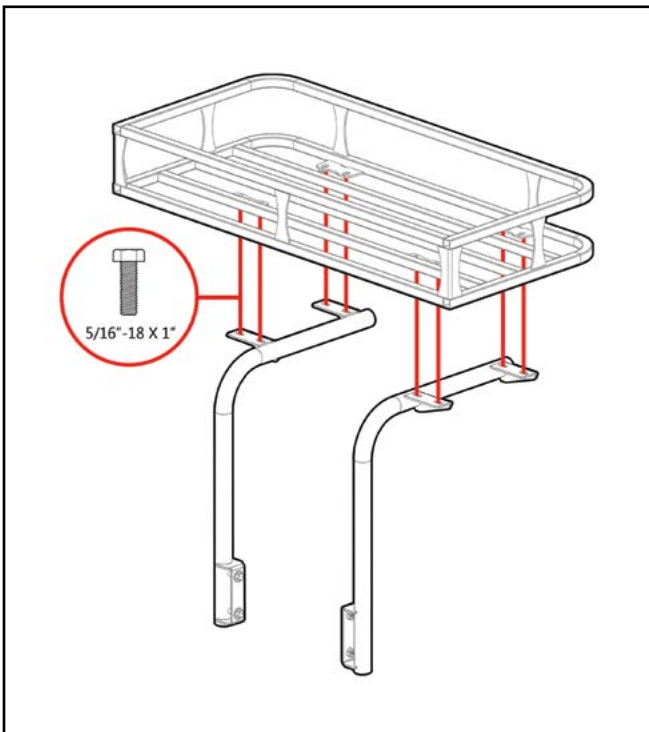
**DESTROYER SERIES**

**JK**

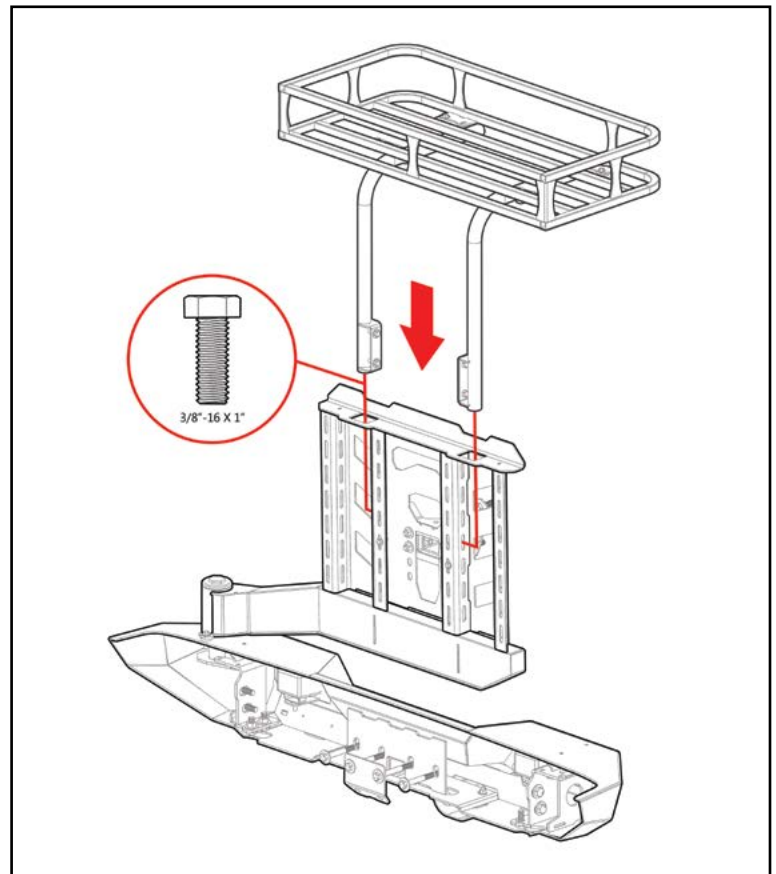
**JL**

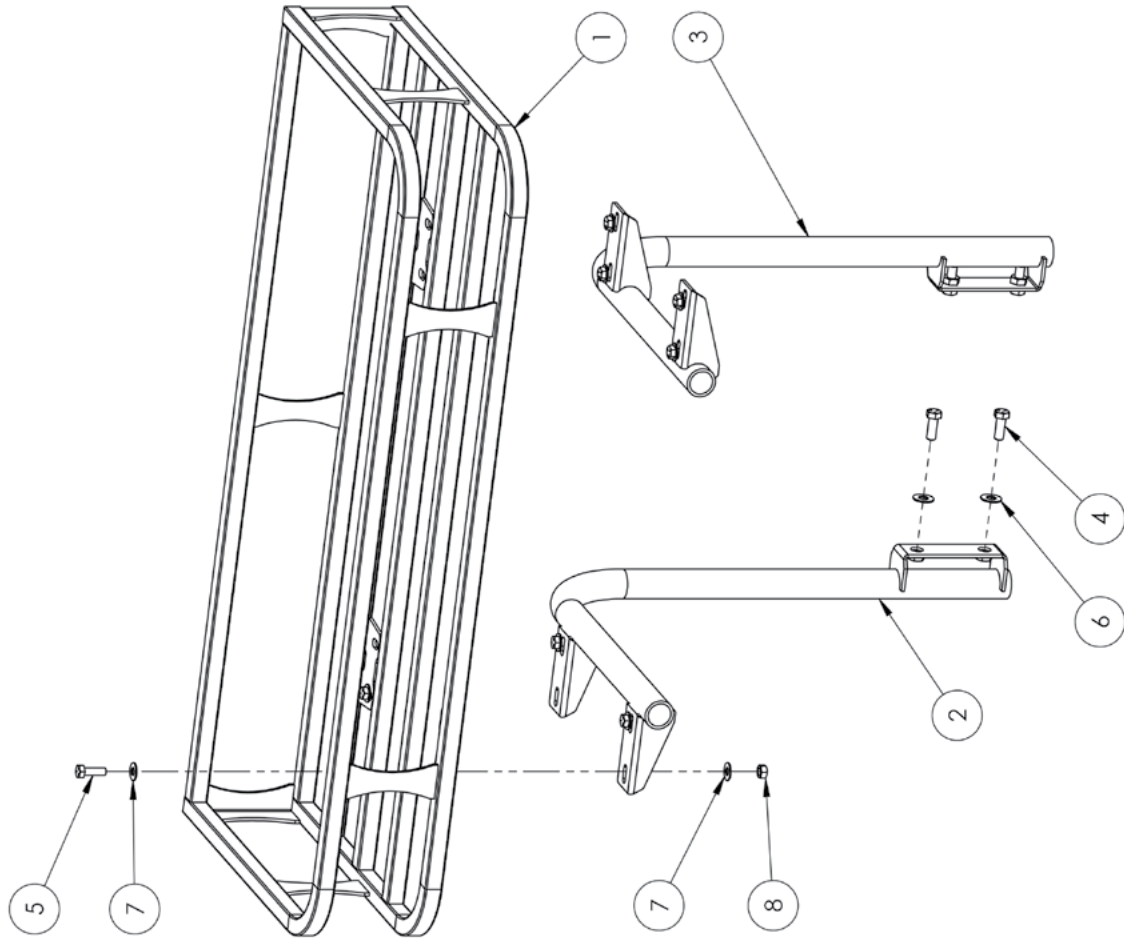
TRAIL  
RACK

**\*PLEASE READ THROUGH THE  
INSTRUCTIONS BEFORE BEGINNING  
ANY PART OF THE INSTALLATION  
PROCESS\***



Install using the provided bolts, nuts, and washers.





ITEM NO.	PART NUMBER	DESCRIPTION	QTY.
1	4JTK0700-01	TRAIL RACK WELDMENT	1
2	4JTK0700-02	TRAIL RACK ARM DRIVER SIDE	1
3	4JTK0700-03	TRAIL RACK ARM PASS SIDE	1

**HARDWARE KIT**

ITEM NO.	PART NUMBER	DESCRIPTION	QTY.
4	HB38116ZPGR5	HEX BOLT 3/8-16 X 1.00 ZINC PLATE GR5	4
5	HB311816ZPGR5	HEX BOLT 5/16-18 X 1.00 ZINC PLATE GR5	8
6	FW3814ZP	FLAT WASHER Ø3/8" X .875 ZINC PLATE	4
7	FW3112ZP	FLAT WASHER Ø5/16" X .75" ZINC PLATE	16
8	HN3118ZPGR5	HEX NUT 5/16-18 ZINC PLATE GR5	8

**NOTES:**

1. JTK0700 = BARE STEEL OPTION
2. JTK0701 = BLACK POWDER COAT OPTION

DESTROYER TRAIL RACK

JTK0700

JTK0701



JK/JL Jeep  
**DESTROYER SERIES**  
Trail Rack  
SHIPPING SHEET

Packaged by:

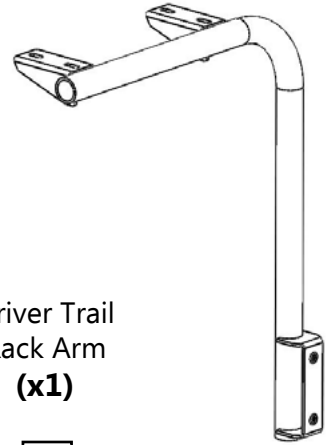
\_\_\_\_\_

On:

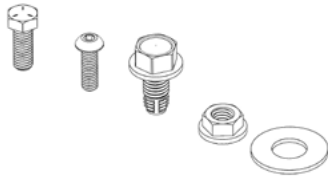
\_\_\_\_\_



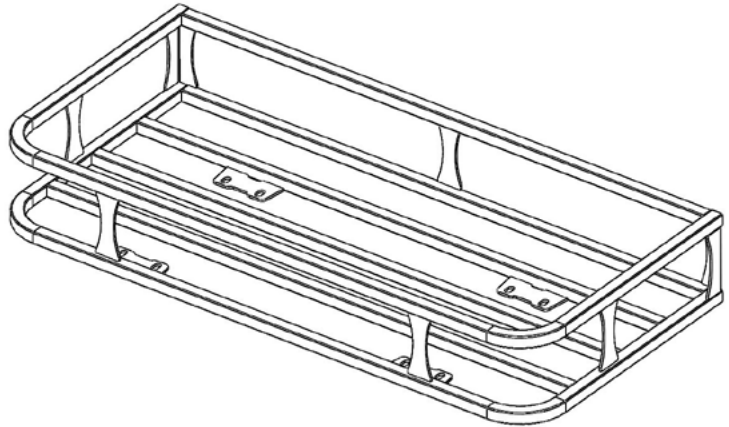
Instruction  
Booklet



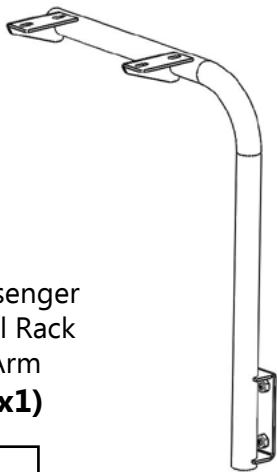
Driver Trail  
Rack Arm  
**(x1)**



BOLT KIT  
(may vary)



Trail Rack  
**(x1)**



Passenger  
Trail Rack  
Arm  
**(x1)**





**JK/JL Jeep  
DESTROYER SERIES**

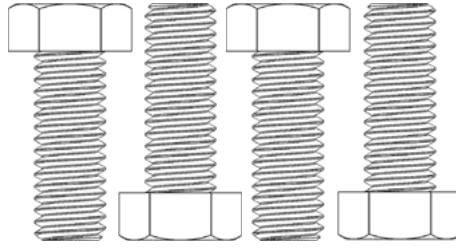
Trail Rack  
Bolt Kit

Packaged by:

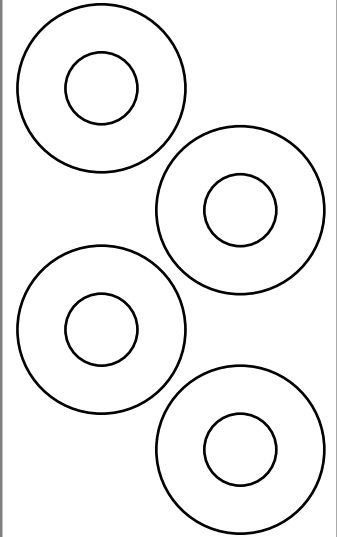
\_\_\_\_\_

On:

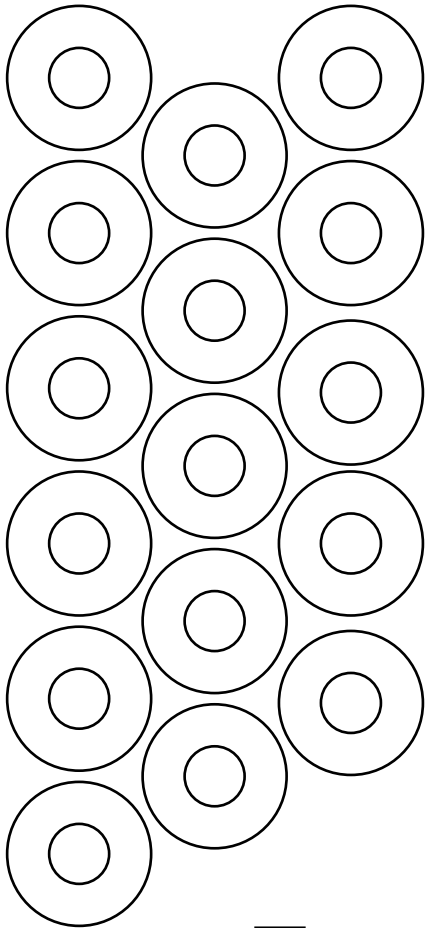
\_\_\_\_\_



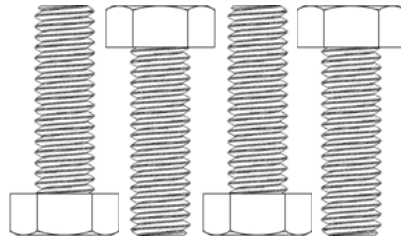
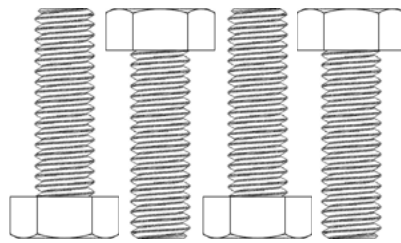
Hex Bolt  
3/8\"-16 x 1\"  
**(x4)**



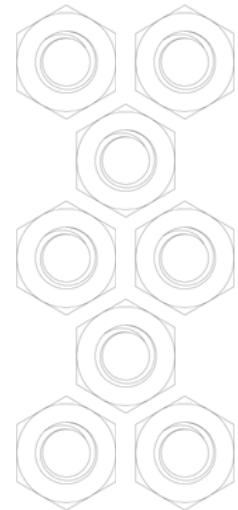
Flat Washer  
3/8\" x 0.875\"  
**(x4)**



Flat Washer  
5/16\" x 0.75\"  
**(x16)**



Hex Bolt  
5/16\"-18 x 1\"  
**(x8)**



Hex Nut  
5/16\"-18  
**(x8)**