

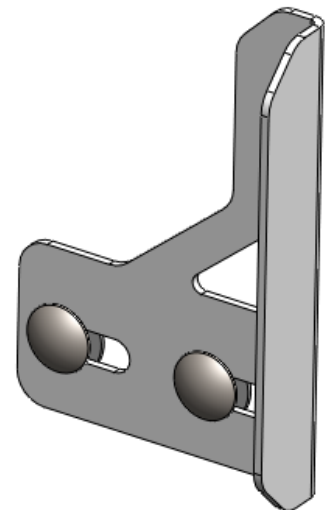
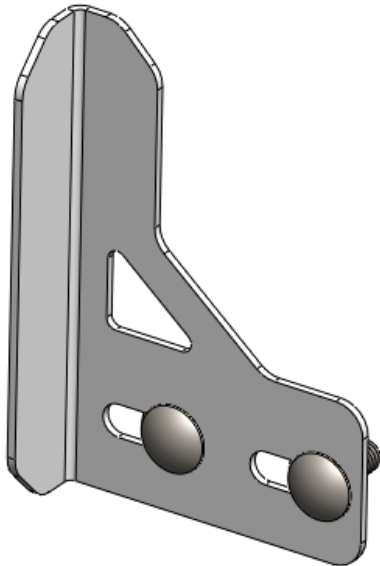


**BLACK OPS SERIES**

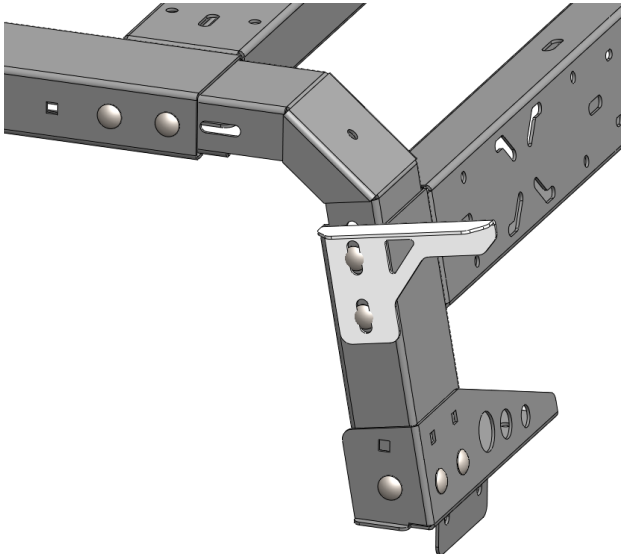
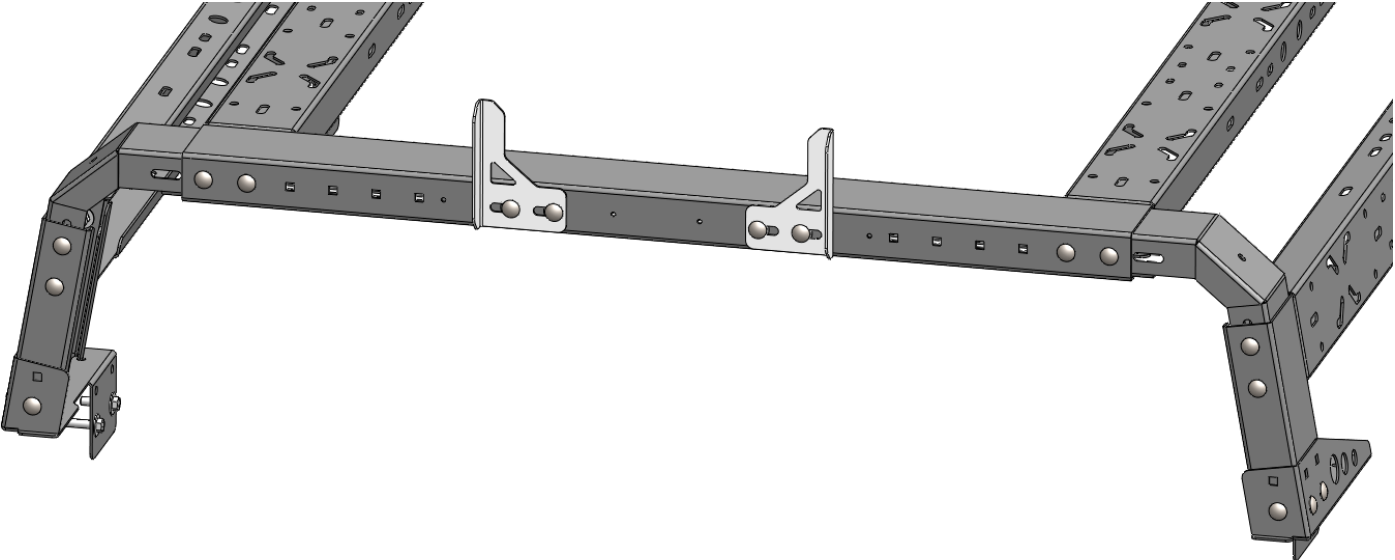
**JT**

**BED RACK LOAD BAR TIE  
DOWNS**

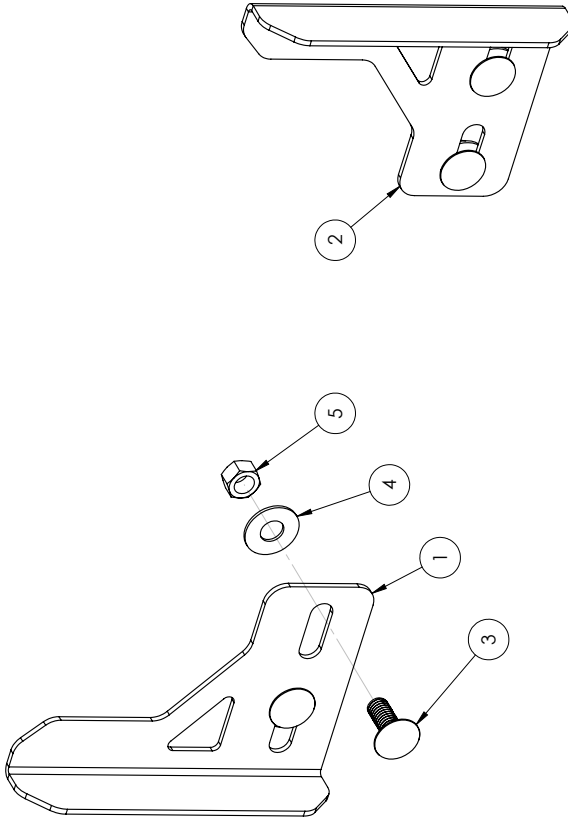
**\*VERIFY YOU HAVE ALL THE COMPONENTS BEFORE STARTING THE INSTALLATION. REFER TO THE  
ENGINEERING DRAWINGS AT THE END OF THIS DOCUMENT FOR A COMPLETE PARTS LIST\***



Install the Load Bar Tie Downs as shown using the Ø3/8 Carriage Bolts, Nuts and Washers provided. You can use any open mounting position on the rack.



ITEM NO.	PART NUMBER	DESCRIPTION	QTY.
1	2JTD2020-01	LOAD BAR TIE DOWN - L	1
2	2JTD2020-02	LOAD BAR TIE DOWN - R	1
3	CB381616ZPGR5	CARRIAGE BOLT 3/8-16 X 1.00 ZINC PLATE GR5	4
4	FW3816ZP	FLAT WASHER Ø3/8" X 1.00 ZINC PLATE	4
5	HN3816ZPGR5	HEX NUT 3/8-16 ZINC PLATE GR5	4



- NOTES:**
- JTD2020 = BARE STEEL OPTION
  - JTD2021 = BLACK POWDER COAT
  - WEIGHT = APPROX 1 LBS

UNLESS OTHERWISE SPECIFIED:		NAME	DATE
DRAWN		MCH	9/20/2022
CHECKED			
ANGULAR: MACH ±1°	±0.015		
TWO PLACE DECIMAL			
THREE PLACE DECIMAL	±0.005		
ENG APPR:			
MFG APPR:			
<b>PROPRIETARY AND CONFIDENTIAL</b>		MATERIAL:	
THE INFORMATION CONTAINED IN THIS DRAWING IS THE SOLE PROPERTY OF LOD LLC. ANY REPRODUCTION OR TRANSMISSION OF THIS DRAWING IN ANY MANNER WITHOUT THE WRITTEN PERMISSION OF LOD LLC IS PROHIBITED.		N/A	
		DESCRIPTION: <b>LOD LLC.</b>	
		<b>BED RACK LOAD BAR TIE DOWNS</b>	
		DWG. NO.	JTD2020
		REV	JTD2021
		SCALE:	1:2
		SHEET SIZE:	B
			SHEET 1 OF 1





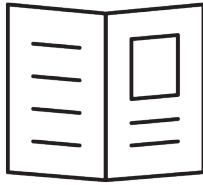
**JT Jeep**  
**BLACK OPS SERIES**  
 BED RACK  
 LOAD BAR TIE DOWNS  
 SHIPPING SHEET

Packaged by:

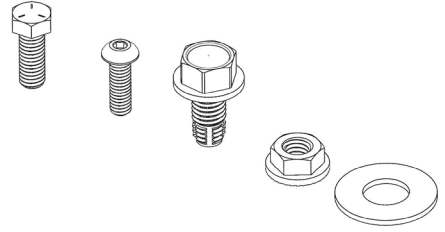
\_\_\_\_\_

On:

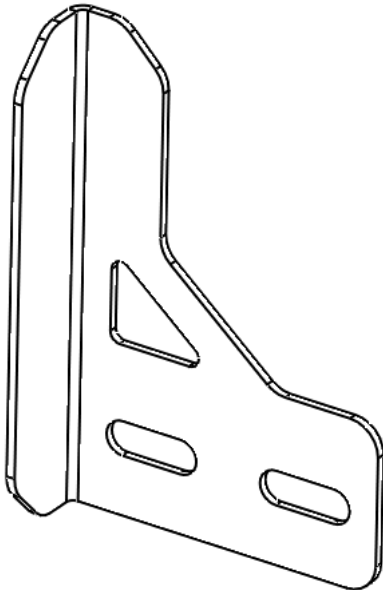
\_\_\_\_\_



Instruction  
Booklet

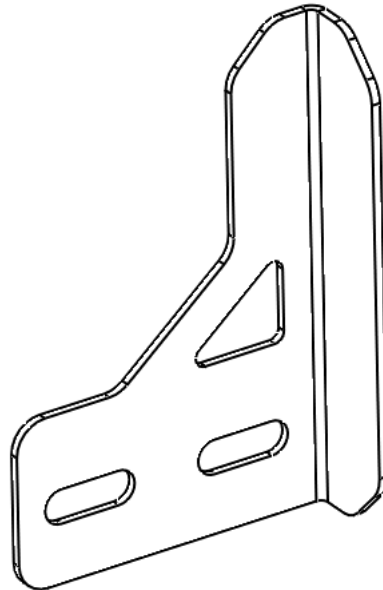


BOLT KIT  
(may vary)



BED RACK LOAD BAR  
TIE DOWN - L  
2JTD2020-01

**(x1)**



BED RACK LOAD BAR  
TIE DOWN - R  
2JTD2020-02

**(x1)**





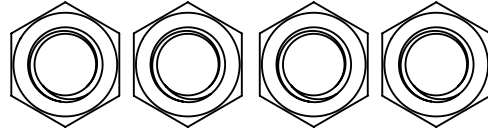
**JT Jeep**  
**BLACK OPS SERIES**  
BED RACK  
LOAD BAR TIE DOWNS  
BOLT KIT

Packaged by:

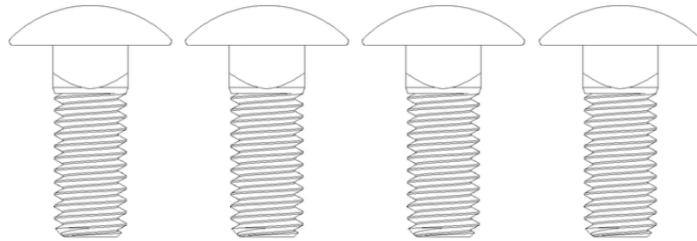
\_\_\_\_\_

On:

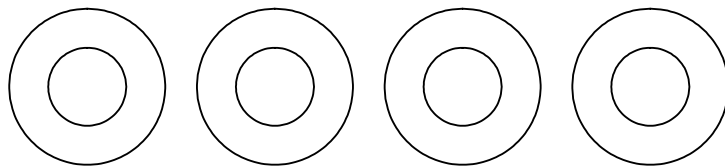
\_\_\_\_\_



HEX NUT 3/8-16  
1136306  
**(x4)**



CARRIAGE BOLT 3/8-16 X 1.00  
(0155068)  
**(x4)**



FLAT WASHER  
Ø3/8 X 1.00  
**(x4)**

