



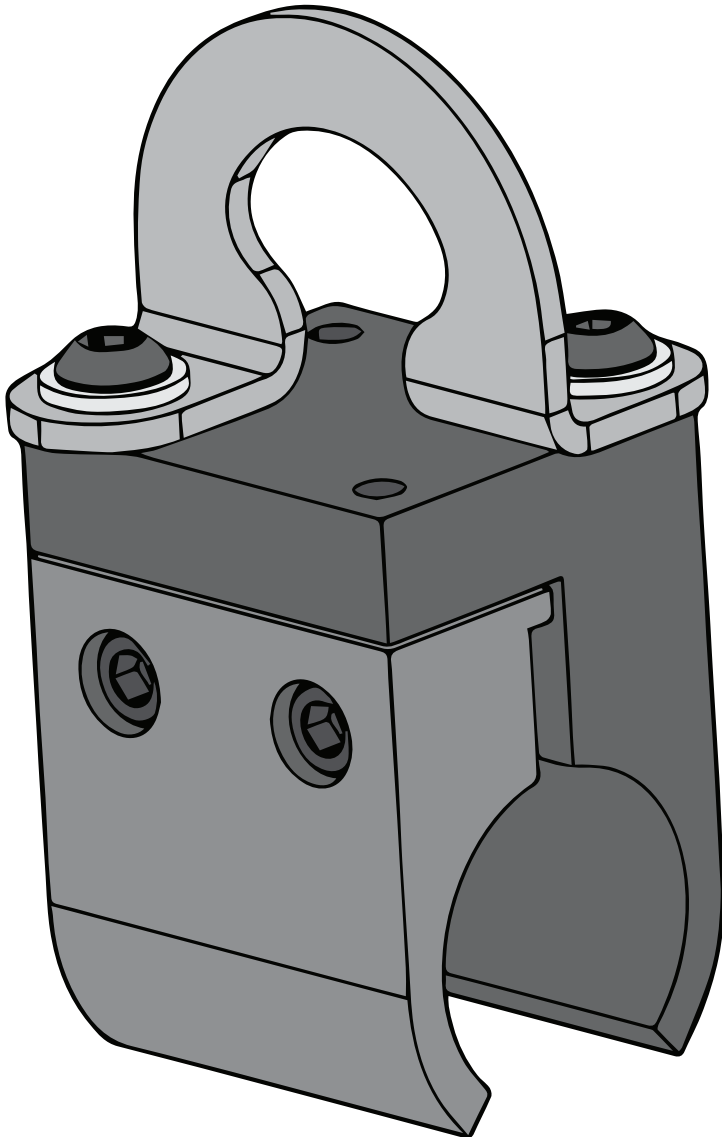
*DESTROYER SERIES*

**JK** **JL**

ROOF RACK  
ACCESSORY TIE DOWN

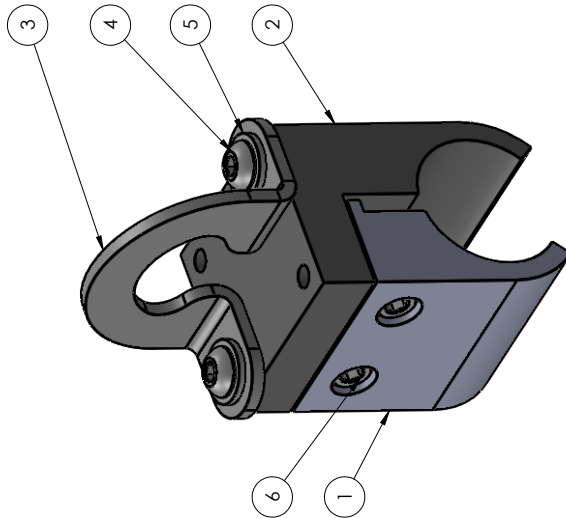
**WEB LINK:** [http://lodoffroad.com/assets/pdfs/JTDO790\\_ACCESSORY TIE DOWN.pdf](http://lodoffroad.com/assets/pdfs/JTDO790_ACCESSORY_TIE_DOWN.pdf)

**\*VERIFY YOU HAVE ALL THE COMPONENTS BEFORE STARTING THE INSTALLATION. REFER TO THE ENGINEERING DRAWINGS AT THE END OF THIS DOCUMENT FOR A COMPLETE PARTS LIST\***



\*Assemble as shown using the provided hardware\*

ITEM NO.	PART NUMBER	DESCRIPTION	QTY.
1	2JRR0704-76	BAR CLAMP TOP	1
2	2JRR0704-75	BAR CLAMP BOTTOM	1
3	2JTD0790-01	ACCESSORY TIE DOWN	1
4	BHSCS252008ZP	BHSCS 1/4-20 X 0.50 ZINC PLATE	2
5	FW1 209ZP	FLAT WASHER #12 X .56" ZINC PLATED	2
6	SHSCS252020CZ	SHSCS 1/4-20 X 1.25 ZINC PLATE	2



UNLESS OTHERWISE SPECIFIED:		NAME	DATE
DIMENSIONS ARE IN INCHES		MCH	1/5/2018
DECIMALS TO THREE PLACES			
ANGULAR DIMENSIONS TO TWO PLACE DECIMAL	±0.015		
THREE PLACE DECIMAL	±0.005		
		ENG APPR.	
		MEG APPR.	
<b>PROPRIETARY AND CONFIDENTIAL</b>		MATERIAL:	
THE INFORMATION CONTAINED IN THIS DRAWING IS THE SOLE PROPERTY OF LOD LLC. ANY REPRODUCTION OR TRANSMISSION OF THIS INFORMATION WITHOUT THE WRITTEN PERMISSION OF LOD LLC IS PROHIBITED.		FINISH:	
		BLACK POWDER COAT	
		ECCO:	
		DWG. NO.	JTD0790
		REV	A
		SCALE:	1:1
		SHEET SIZE:	B
			SHEET 1 OF 1



LOD LLC.

DESCRIPTION:  
ACCESSORY TIE DOWN



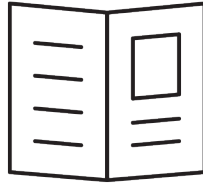
**JK/JL Jeep**  
**DESTROYER SERIES**  
ROOF RACK  
ACCESSORY TIE DOWN  
SHIPPING SHEET

Packaged by:

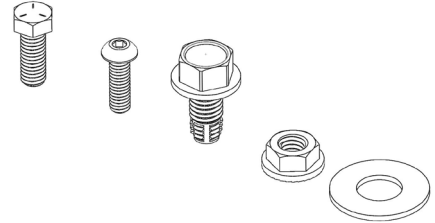
\_\_\_\_\_

On:

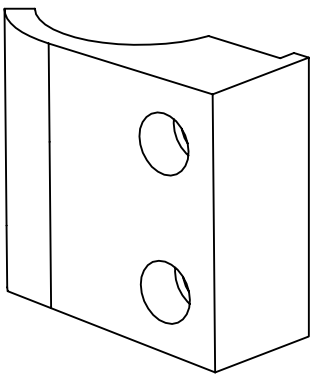
\_\_\_\_\_



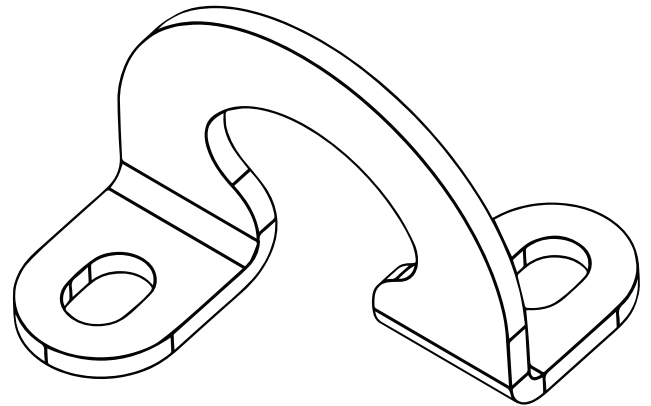
Instruction  
Booklet



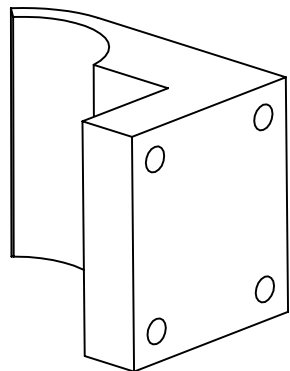
BOLT KIT  
(may vary)



BAR CLAMP TOP  
2JRR0704-76  
**(x1)**



ACCESSORY TIE DOWN  
2JTD0790-01  
**(x1)**



BAR CLAMP BOTTOM  
2JRR0704-75  
**(x1)**





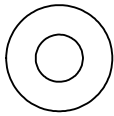
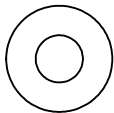
**JK/JL Jeep**  
**DESTROYER SERIES**  
ROOF RACK  
ACCESSORY TIE DOWN  
BOLT KIT

Packaged by:

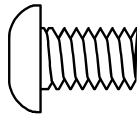
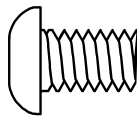
\_\_\_\_\_

On:

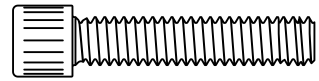
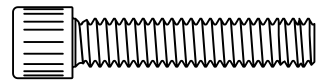
\_\_\_\_\_



FLAT WASHER  
#12 x .56"  
**(x2)**



BUTTON HEAD  
1/4-20 X 0.50"  
**(x2)**



SOCKET HEAD SCREW  
1/4-20 X 1.25  
**(x2)**

