



# JL JK TOW ADAPTORS

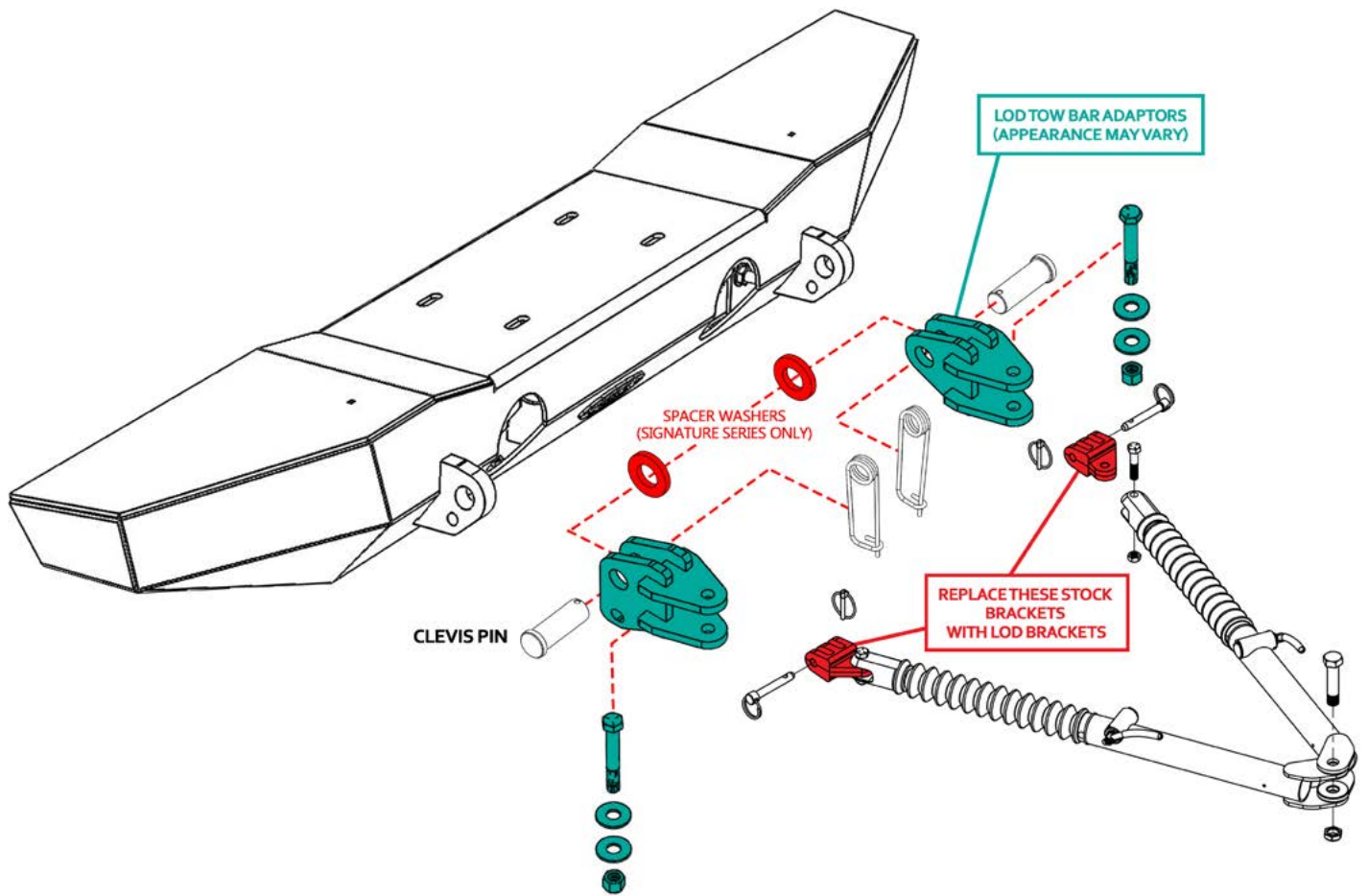
**\*PLEASE READ THROUGH THE INSTRUCTIONS BEFORE BEGINNING ANY PART OF THE INSTALLATION PROCESS\***

### WEB FILE:

<http://lodoffroad.com/assets/pdfs/JTK0730.pdf>



## ROADMASTER TOW BAR ADAPTORS

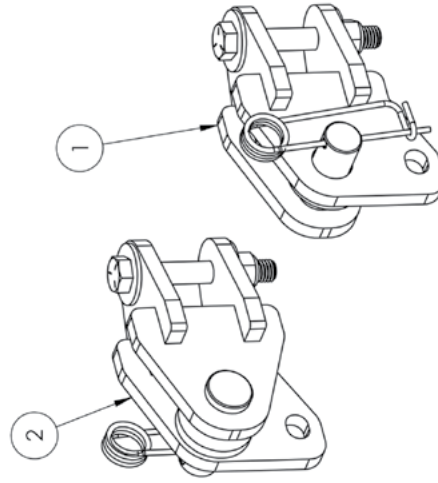
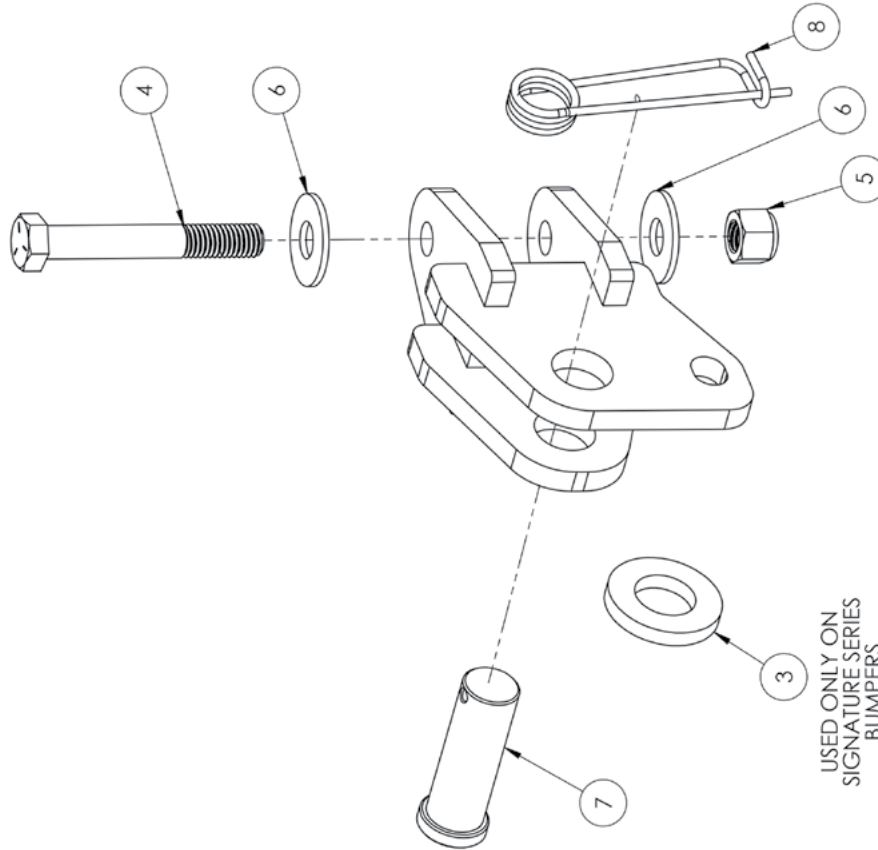


**\*SCALE ENLARGED TO SHOW DETAIL\***

# JTB0730

## ROADMASTER TOW BAR ADAPTER

ITEM NO.	PART NUMBER	DESCRIPTION	QTY.
1	4JTB0730-1	ROADMASTER PASS SIDE ADAPTER WELDMENT	1
2	4JTB0730-2	ROADMASTER DRIVER SIDE ADAPTER WELDMENT	1
<b>HARDWARE KIT</b>			
ITEM NO.	PART NUMBER	DESCRIPTION	QTY.
3	2JTB0730-4	TOW POINT SPACER WASHER	2
4	HB501356ZPGR5	HEX BOLT 1/2-13 X 3.50 HEX BOLT ZINC PLATE GR5	2
5	LHN5013ZPGR5	NYLOK LOCKING HEX NUT 1/2-13 ZINC PLATE GR5	2
6	FW5022ZP	FLAT WASHER Ø1/2" X 1.375" ZINC PLATE	4
7	CP1000	CLEVIS PIN, Ø7/8" X 2 1/2" LG	2
8	CP1002	SAFETY COITER PIN, Ø.120 X 4.375" LG X 13/16"W, ZINC PLATE	2





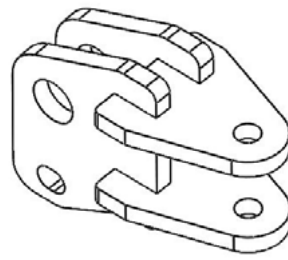
**JL + JK Jeep**  
Roadmaster Tow Adaptors  
SHIPPING SHEET

Packaged by:

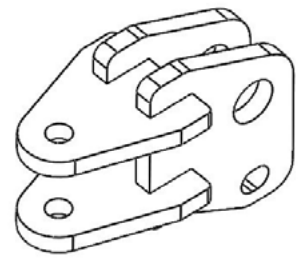
\_\_\_\_\_

On:

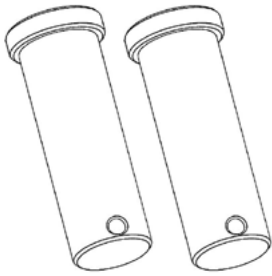
\_\_\_\_\_



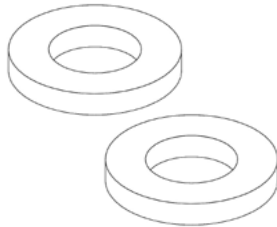
Tow Adaptor  
Passenger **(1)**



Tow Adaptor  
Driver **(1)**



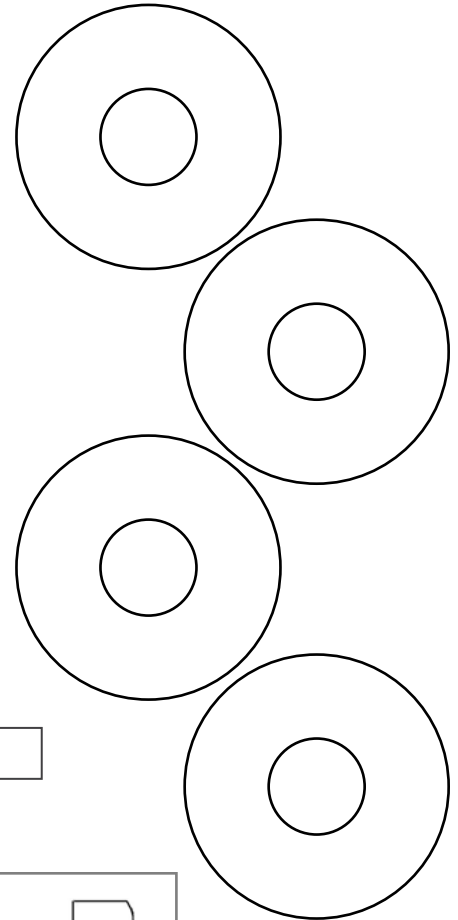
Clevis Pins **(2)**



Tow Point 1/4"  
Spacer Washer  
**(2)**



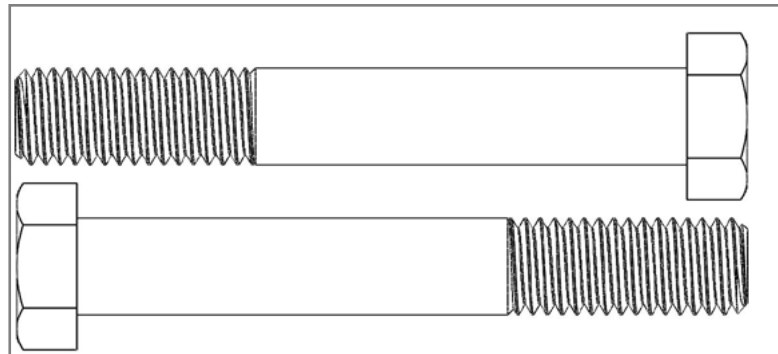
1/2-13 Nylon  
Lock Nut  
**(2)**



1/2 x 1.375"  
Washer  
**(4)**



Safety Pins **(2)**



1/2-13 x 3.5"  
Hex Bolt  
**(2)**

