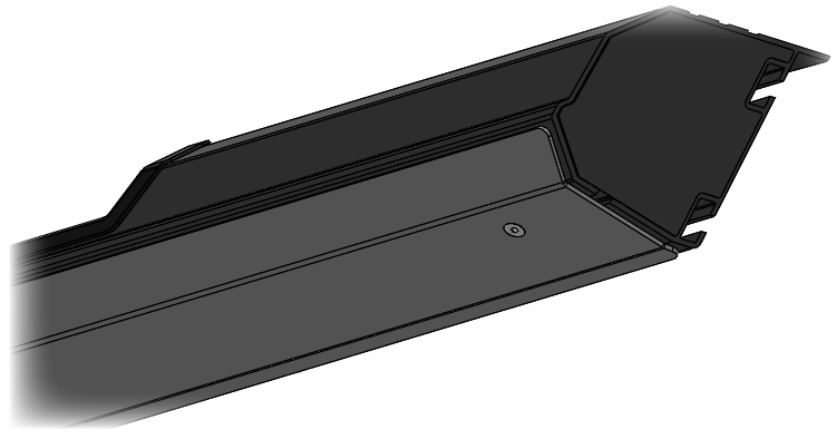




**ARMOR LITE SERIES**

**JT**

**JEEP JT ARMOR LITE SKID  
PLATE PAIR**



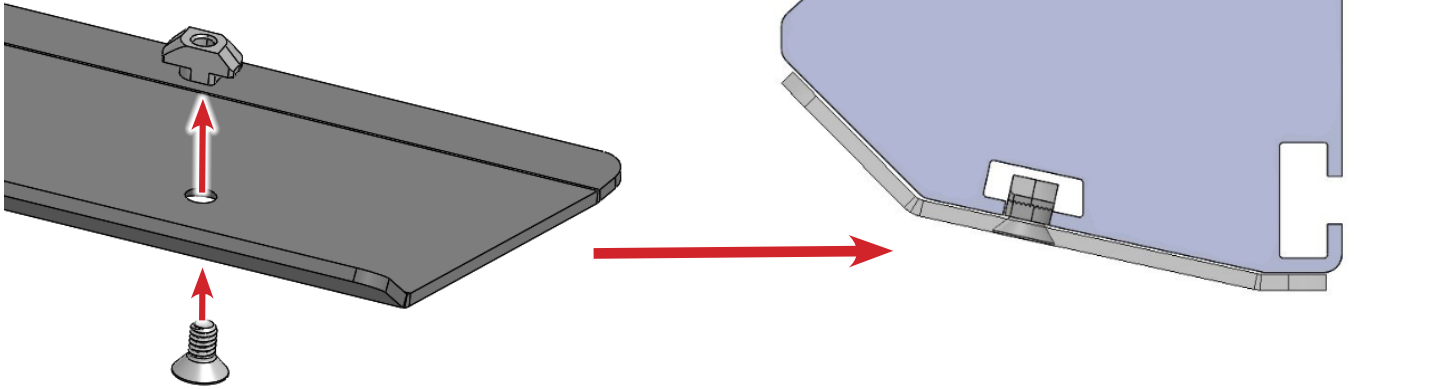
**WEB LINK:** <http://lodoffroad.com/assets/pdfs/JSP2060 JT Armor Lite Skid Plate Pair.pdf>

**\*VERIFY YOU HAVE ALL THE COMPONENTS BEFORE STARTING THE INSTALLATION. REFER TO THE  
ENGINEERING DRAWINGS AT THE END OF THIS DOCUMENT FOR A COMPLETE PARTS LIST\***



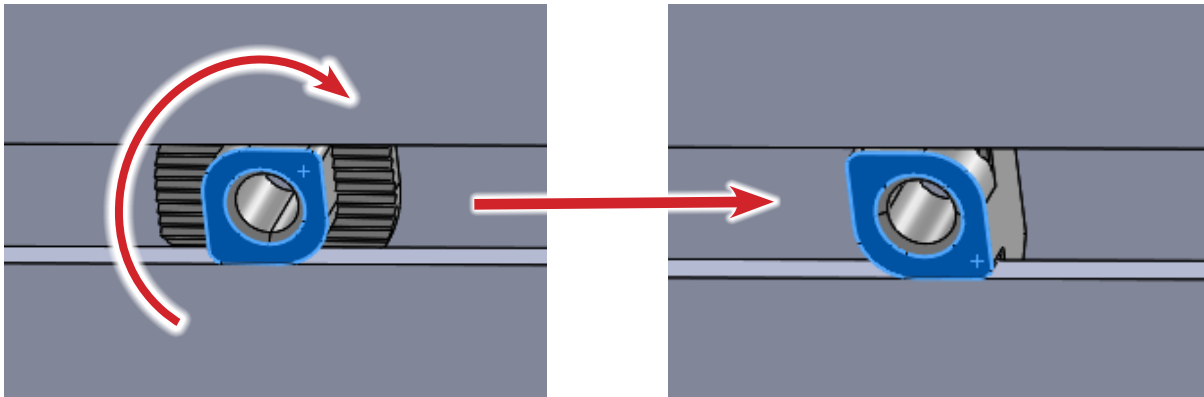
Loosely assemble the supplied Flat Head Screw and T-Nut into all 4 positions on the Armor Lite Skid Plate as shown.

Position the Skid Plate on the Armor Lite Slider so the T-Nuts are inserted into the T-Slot on the bottom of the Slider.



Using a Allen wrench, turn each Flat Head Screw 90° clockwise so that the shoulder on the T-Nut catches on the T-Slot as shown below.

With the T-Nut in this position, you will be able to fully tighten the Flat Head Screws.



The Skid Plate should now be able to hang loosely on the bottom of the Slider.

Position the Skid Plate forward or backward as needed to center it on the bottom of the Slider, then fully tighten each screw equally.

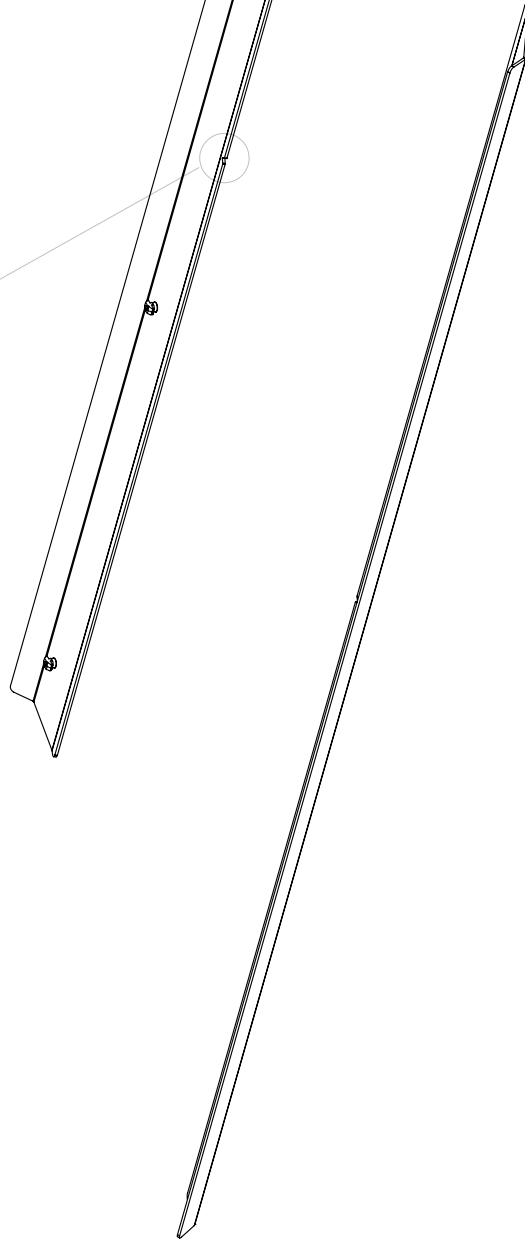
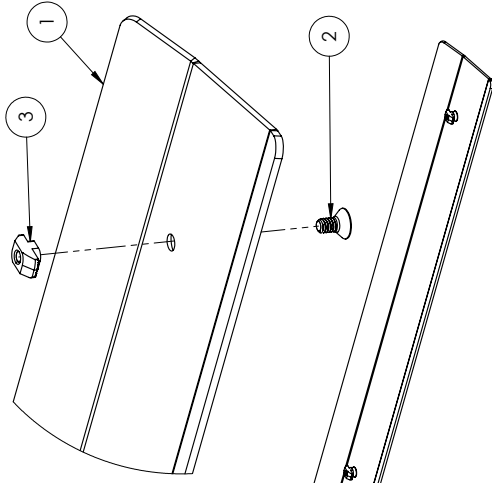
## **\*\*Maintenance\*\***

- Periodically check and re-tighten all fasteners.
- Periodically check your Armor Lite Skid Plate for scratches or dings which can happen over time or after heavy use or highway driving. It is important to address these areas as soon as possible to prevent flaking and corrosion or rust from spreading. We recommend using Rustoleum® brand Black Semi-Gloss Protective Enamel (oil based). Remove loose powder coating, sand the area and clean using alcohol. Apply using a foam brush by dabbing to match the powder coat texture.



ITEM NO.	PART NUMBER	DESCRIPTION	QTY.
1	2JSP2060-01	JT ROCK SLIDER SKID PLATE 4DR	2
2	FHSCS142008CZ	FHSCS 1/4-20 X .50 CZ	8
3	TN2520-1	T-NUT 1/4-20, DROP IN, ZINC PLATE	8

JT INDICATOR



UNLESS OTHERWISE SPECIFIED: DIMENSIONS ARE IN INCHES TOLERANCES: ±0.010 ANGULAR: MACH ±1° TWO PLACE DECIMAL ±0.015 THREE PLACE DECIMAL ±0.005		DRAWN	CHECKED	ENG APPR.	MFG APPR.	MATERIAL	NAME	DATE
							MCH	5/13/2020
THE INFORMATION CONTAINED IN THIS DRAWING IS THE SOLE PROPERTY OF LOD LLC. REPRODUCTION IN PART OR AS A WHOLE WITHOUT THE WRITTEN PERMISSION OF LOD LLC IS PROHIBITED.		PROPRIETARY AND CONFIDENTIAL		N/A		FINISH: SEE NOTES		

LOD LLC.  
DESCRIPTION:  
JEEP JT 4DR ARMOR LITE SKID PLATE

DWG. NO.  
JSP2060

SCALE: 1:6 SHEET SIZE: B

REV A SHEET 1 OF 1



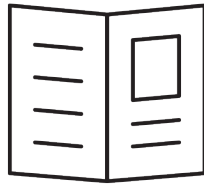
**JT Jeep**  
**ARMOR LITE SERIES**  
 SKID PLATE PAIR  
 SHIPPING SHEET

Packaged by:

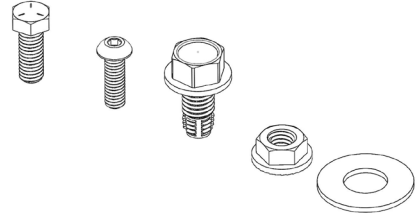
\_\_\_\_\_

On:

\_\_\_\_\_



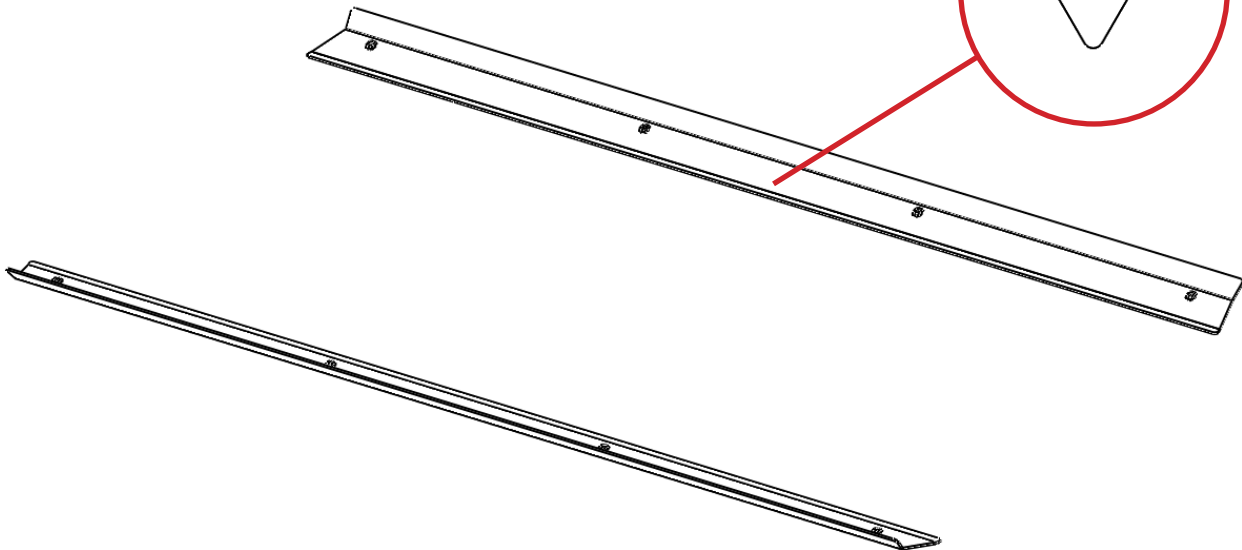
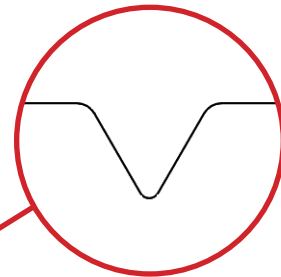
Instruction  
Booklet



BOLT KIT  
(may vary)



JT INDICATOR



JT ROCK SLIDER SKID  
 PLATE 4DR  
 2JSP2060-01  
**(x2)**





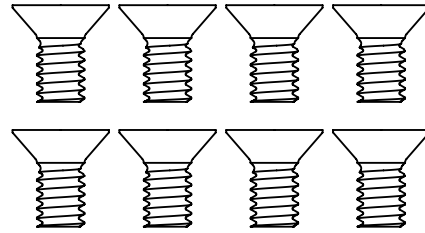
**JT Jeep**  
**ARMOR LITE SERIES**  
SKID PLATE PAIR  
BOLT KIT

Packaged by:

\_\_\_\_\_

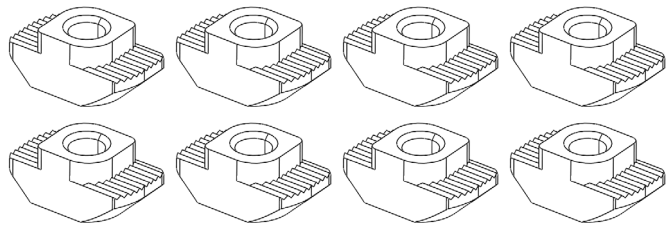
On:

\_\_\_\_\_



1/4-20 X .50" FLAT HEAD CAP SCREW

**(x8)**



DROP IN T-NUT 1/4-20

**(x8)**

