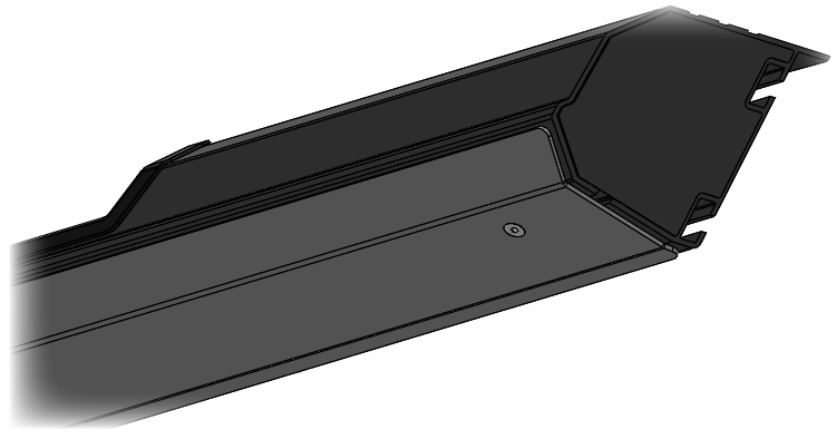




**ARMOR LITE SERIES**

**JK/JL**

**JEEP JK/JL ARMOR LITE SKID  
PLATE PAIR**



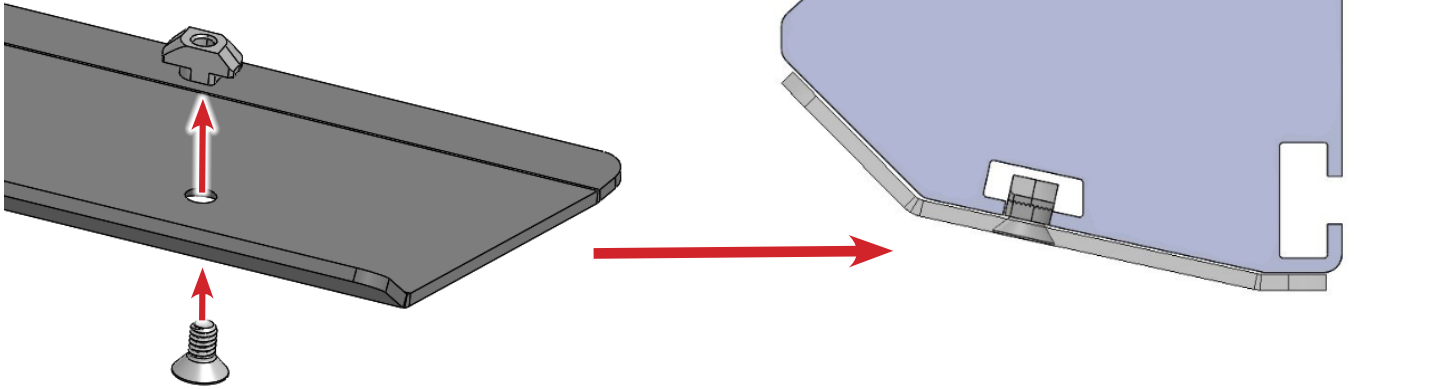
**WEB LINK:** <http://lodoffroad.com/assets/pdfs/JSP1860 JK JL Armor Lite Skid Plate Pair.pdf>

**\*VERIFY YOU HAVE ALL THE COMPONENTS BEFORE STARTING THE INSTALLATION. REFER TO THE  
ENGINEERING DRAWINGS AT THE END OF THIS DOCUMENT FOR A COMPLETE PARTS LIST\***



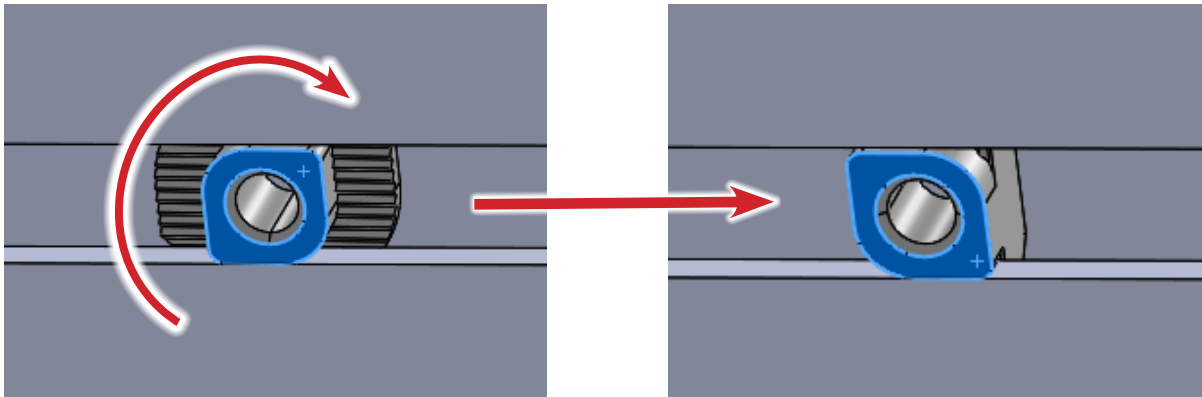
Loosely assemble the supplied Flat Head Screw and T-Nut into all 4 positions on the Armor Lite Skid Plate as shown.

Position the Skid Plate on the Armor Lite Slider so the T-Nuts are inserted into the T-Slot on the bottom of the Slider.



Using a Allen wrench, turn each Flat Head Screw 90° clockwise so that the shoulder on the T-Nut catches on the T-Slot as shown below.

With the T-Nut in this position, you will be able to fully tighten the Flat Head Screws.



The Skid Plate should now be able to hang loosely on the bottom of the Slider.

Position the Skid Plate forward or backward as needed to center it on the bottom of the Slider, then fully tighten each screw equally.

## **\*\*Maintenance\*\***

- Periodically check and re-tighten all fasteners.
- Periodically check your Armor Lite Skid Plate for scratches or dings which can happen over time or after heavy use or highway driving. It is important to address these areas as soon as possible to prevent flaking and corrosion or rust from spreading. We recommend using Rustoleum® brand Black Semi-Gloss Protective Enamel (oil based). Remove loose powder coating, sand the area and clean using alcohol. Apply using a foam brush by dabbing to match the powder coat texture.







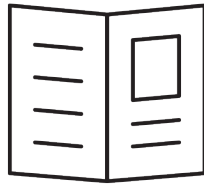
**JK/JL Jeep**  
**ARMOR LITE SERIES**  
SKID PLATE PAIR  
SHIPPING SHEET

Packaged by:

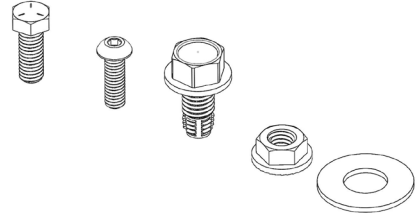
\_\_\_\_\_

On:

\_\_\_\_\_



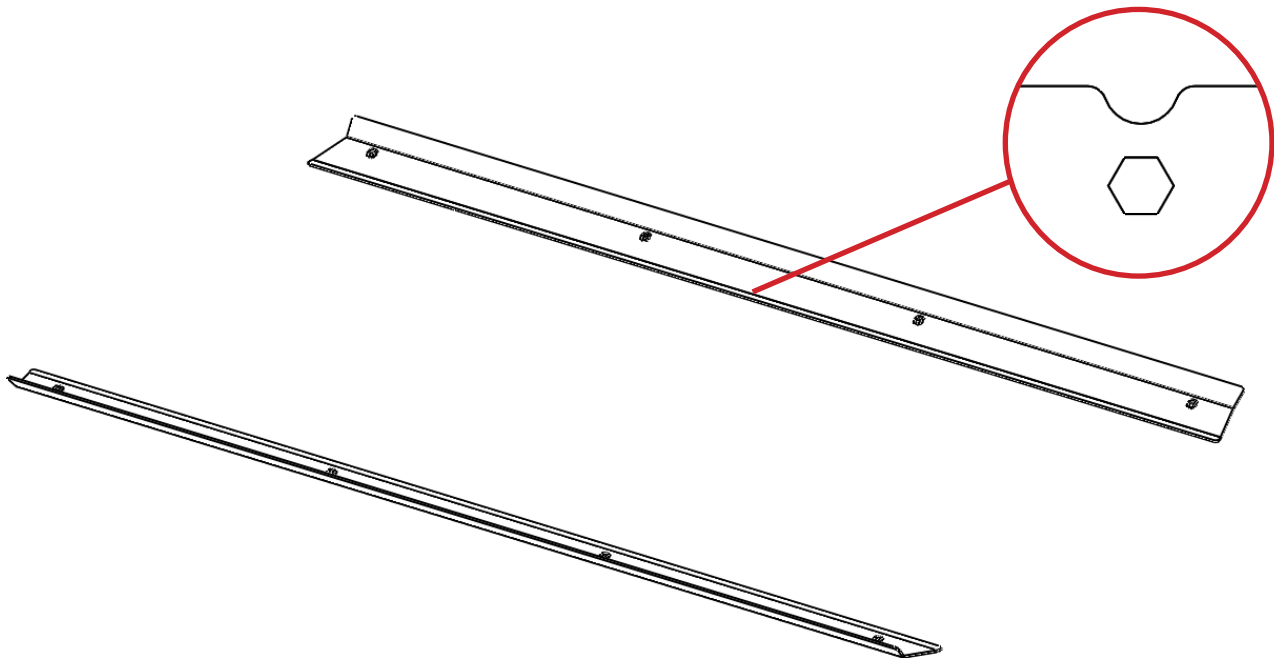
Instruction  
Booklet



BOLT KIT  
(may vary)



JK / JL INDICATOR



JK/JL ROCK SLIDER SKID  
PLATE 4DR  
2JSP1860-01  
**(x2)**





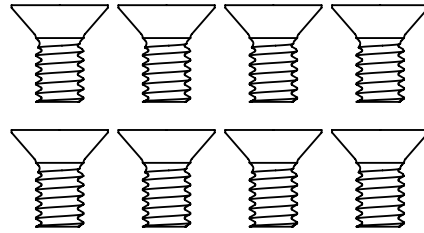
**JK/JL Jeep  
ARMOR LITE SERIES  
SKID PLATE PAIR  
BOLT KIT**

Packaged by:

\_\_\_\_\_

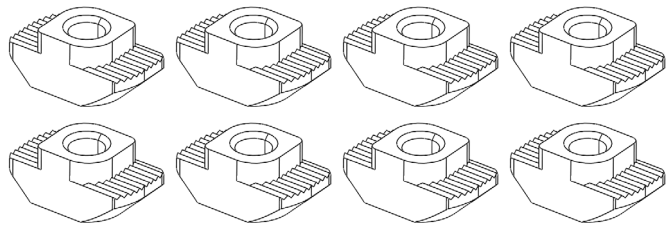
On:

\_\_\_\_\_



1/4-20 X .50" FLAT HEAD CAP SCREW

**(x8)**



DROP IN T-NUT 1/4-20

**(x8)**

