

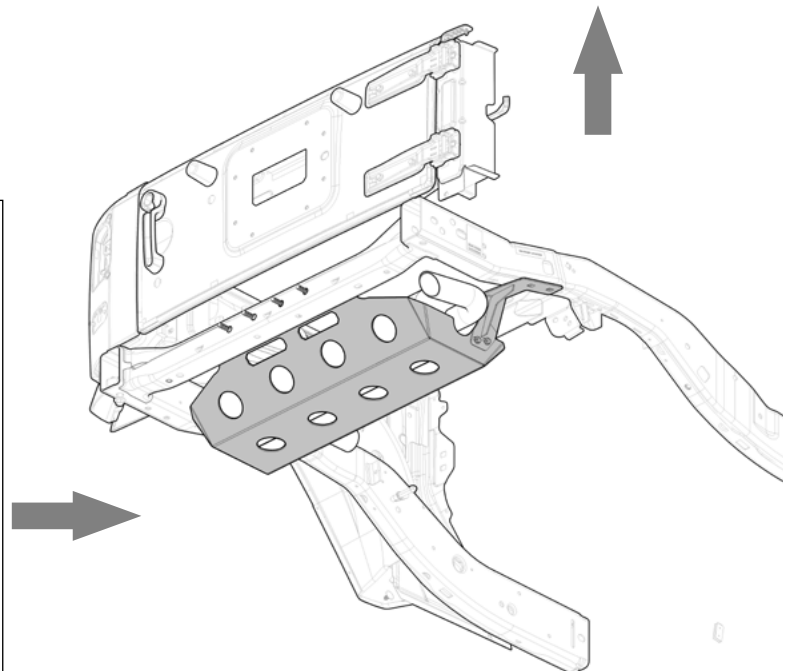
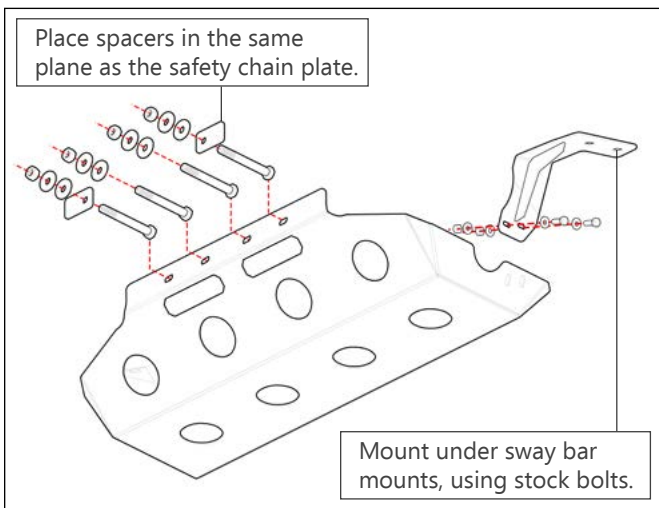
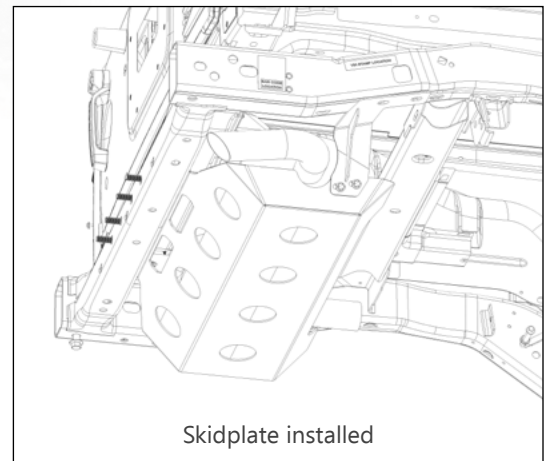
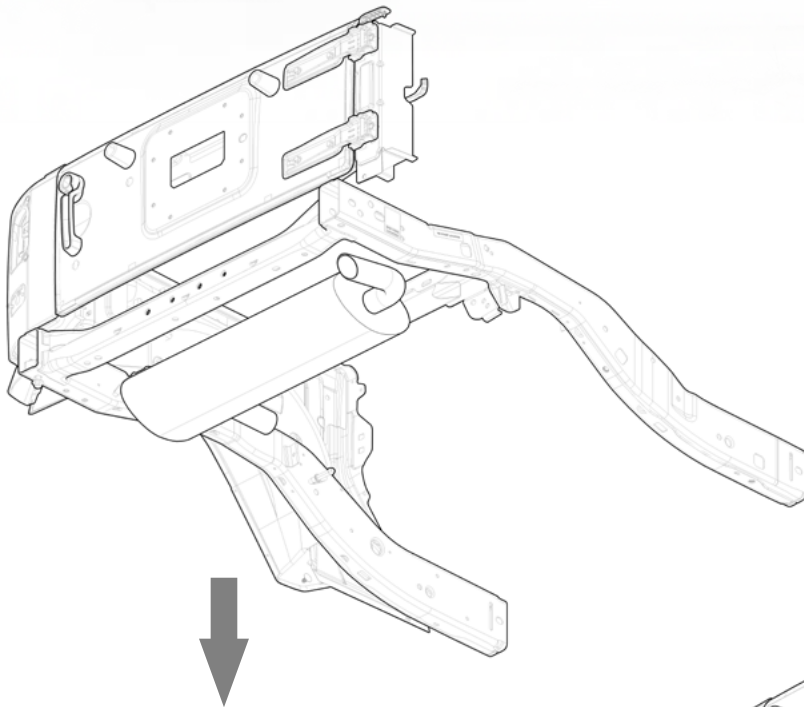


**DESTROYER SERIES**



MUFFLER  
SKIDPLATE

**\*PLEASE READ THROUGH THE  
INSTRUCTIONS BEFORE BEGINNING  
ANY PART OF THE INSTALLATION  
PROCESS\***

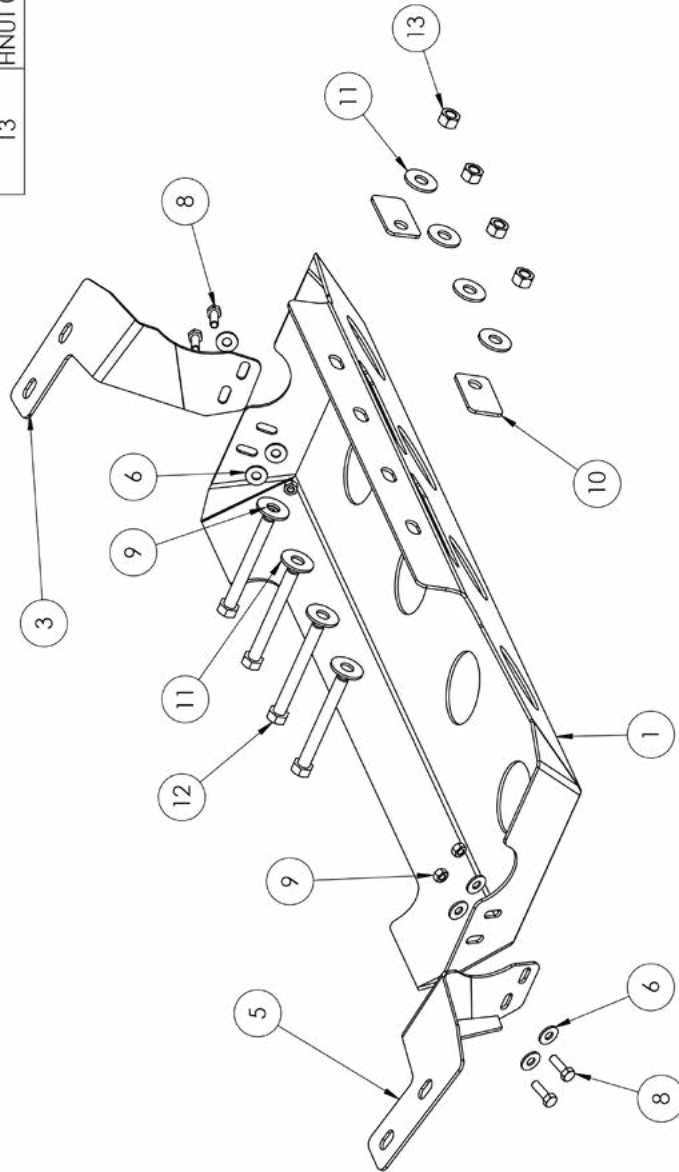


Fabricated Parts

ITEM NO.	PART NUMBER	DESCRIPTION	QTY.
1	2JSP0720-01	Skid Plate	1
3	4JSP0720-02P	Pass. Side Mount	1
5	4JSP0720-02D	Driver Side Mount	1

Hardware Kit

ITEM NO.	PART NUMBER	DESCRIPTION	QTY.
6	Preferred Wide FW 0.3125	5/16 Inch Washer	8
8	HBOLT 0.3125- 18x1x0.875-N	5/16-18 X 1" Lg. Hex Bolt	4
9	HNUT 0.3125-18-D-N	5/16-18 Nut	4
10	2JSP0720-05	Custom Spacer	2
11	Preferred Wide FW 0.5	1/2" Washer	8
12	HBOLT 0.5000- 13x4.5x1.25-N	1/2-13 X 4.50 Lg. Hex Bolt	4
13	HNUT 0.5000-13-D-N	1/2-13 Hex Nut	4





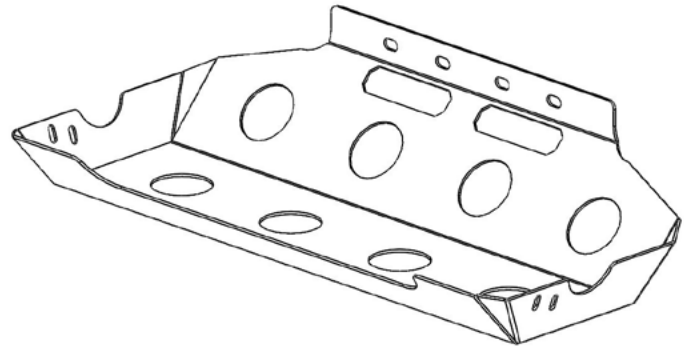
**JK/JL Jeep**  
**DESTROYER SERIES**  
 Muffler Skidplate  
 SHIPPING SHEET

Packaged by:

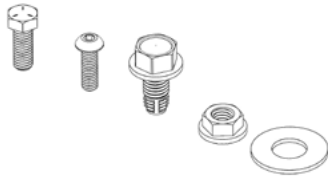
\_\_\_\_\_

On:

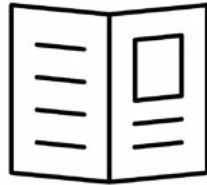
\_\_\_\_\_



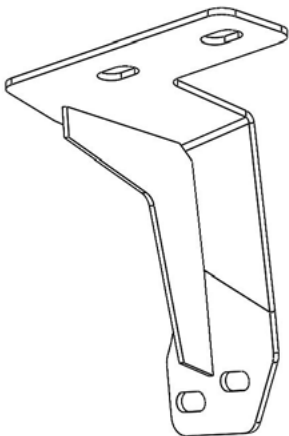
Skid Plate Weldment  
**(x1)**



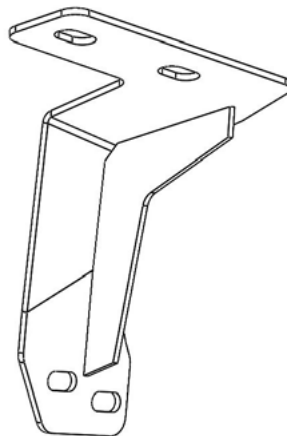
BOLT KIT  
 (may vary)



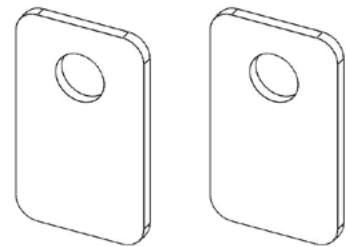
Instruction  
 Booklet



Passenger Side Mount  
**(x1)**



Driver Side Mount  
**(x1)**



Safety Chain Plate Spacers  
**(x1)**





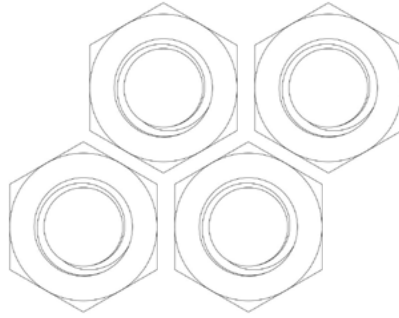
**JK/JL Jeep**  
**DESTROYER SERIES**  
Muffler Skid Plate  
Bolt Kit

Packaged by:

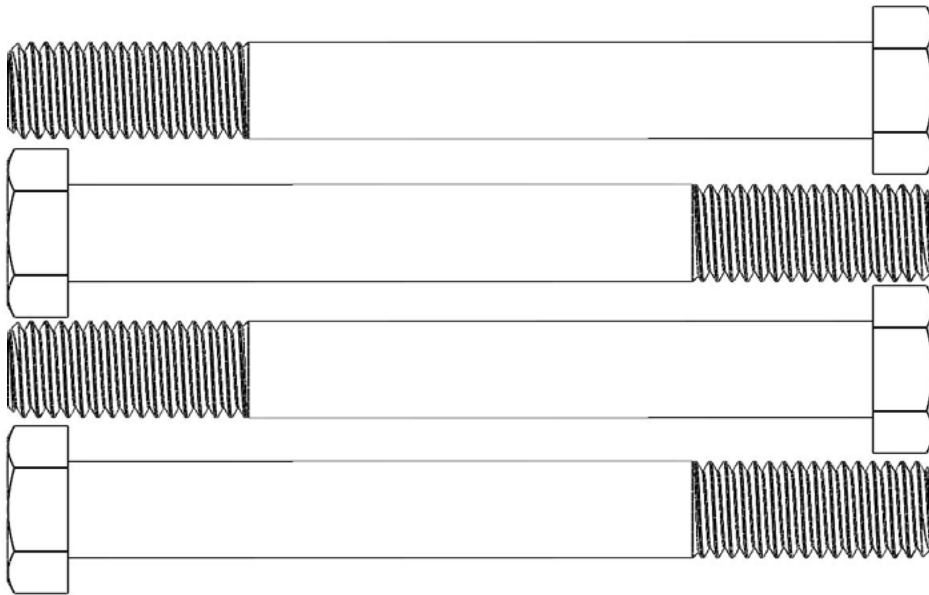
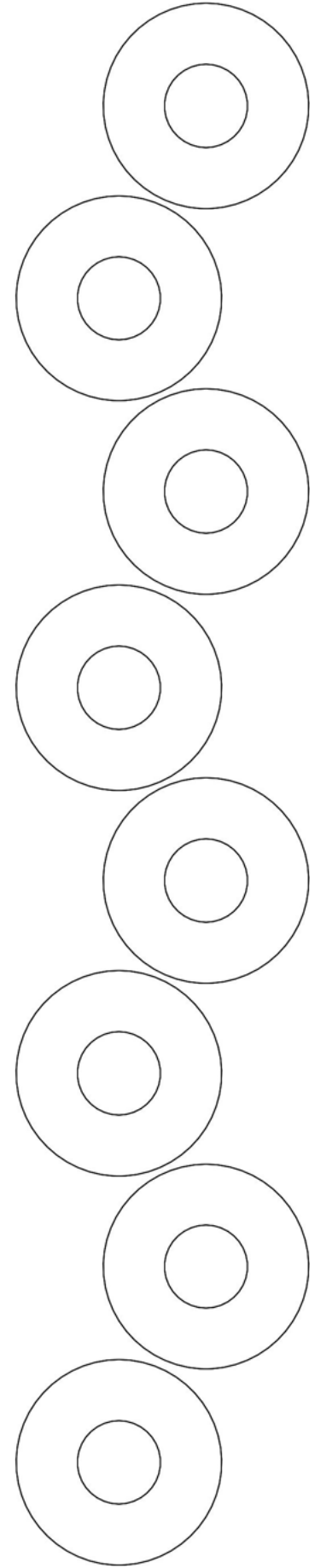
\_\_\_\_\_

On:

\_\_\_\_\_



Hex Nut  
1/2"-13  
**(x4)**

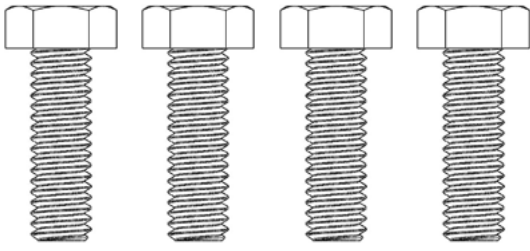


Hex Bolt  
1/2"-13 x 4.5"  
**(x4)**

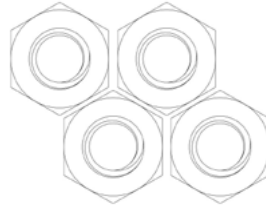


Flat Washer  
1/2"  
**(x8)**

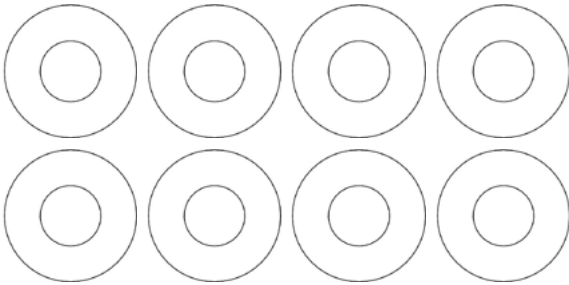




Hex Bolt  
5/16"-18 x 1"  
**(x4)**



Hex Nut  
5/16"-18  
**(x4)**



Flat Washer  
5/16"  
**(x8)**

