



**DESTROYER SERIES**



**2 DOOR  
ROCK RAILS**

**\*PLEASE READ THROUGH THE INSTRUCTIONS BEFORE BEGINNING ANY PART OF THE INSTALLATION PROCESS\***



**\*PLEASE READ THROUGH THE INSTRUCTIONS BEFORE BEGINNING ANY PART OF THE INSTALLATION PROCESS\***

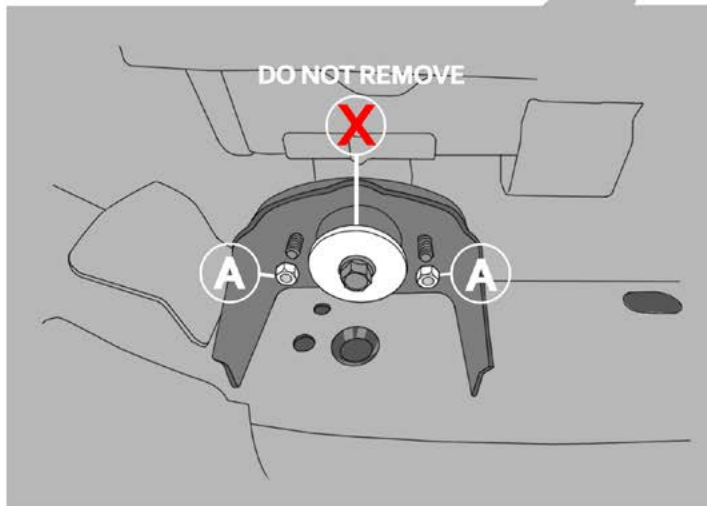
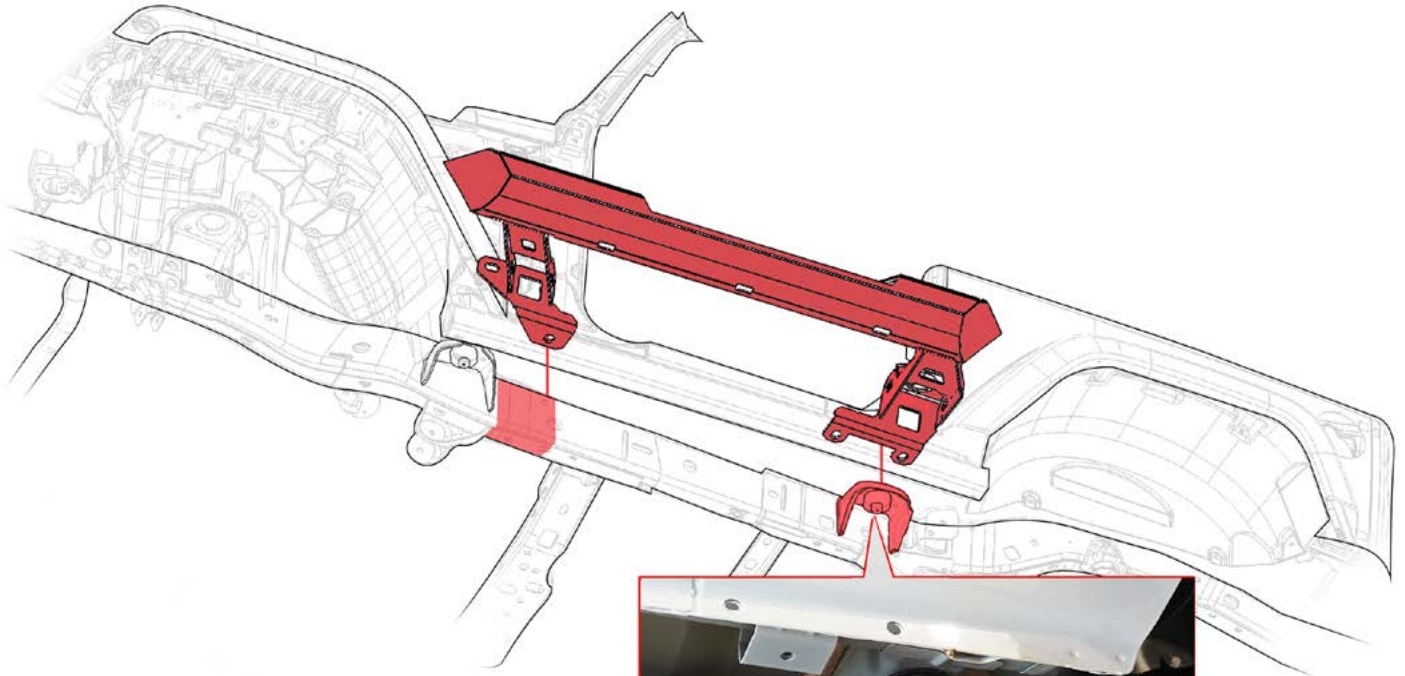
**WEB LINK:** <http://lodoffroad.com/assets/pdfs/JRS1802.pdf>

**1.**



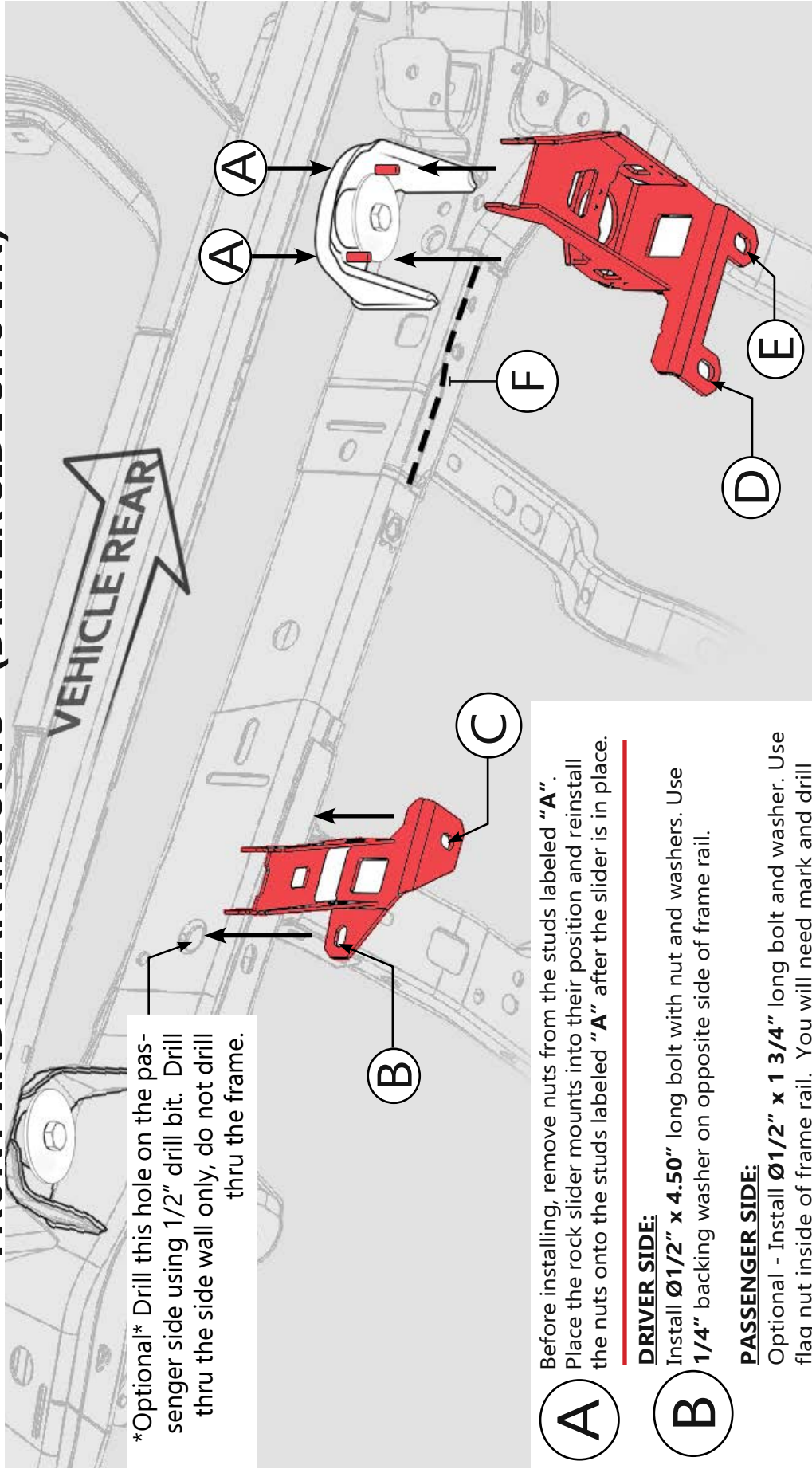
**Remove the stock rock sliders (if included on vehicle)**

The rock sliders mount in the shown areas.



Remove the nuts in position "A"  
Do not remove the large bolt.

# FRONT AND REAR MOUNTS - (DRIVER SIDE SHOWN)



\*Optional\* Drill this hole on the passenger side using 1/2" drill bit. Drill thru the side wall only, do not drill thru the frame.

**A** Before installing, remove nuts from the studs labeled "A". Place the rock slider mounts into their position and reinstall the nuts onto the studs labeled "A" after the slider is in place.

**DRIVER SIDE:**

Install  $\varnothing 1/2"$  x 4.50" long bolt with nut and washers. Use 1/4" backing washer on opposite side of frame rail.

**PASSENGER SIDE:**

Optional - Install  $\varnothing 1/2"$  x 1 3/4" long bolt and washer. Use flag nut inside of frame rail. You will need mark and drill this hole using a 1/2" drill bit.

**DRIVER SIDE:**

Install  $\varnothing 1/2"$  x 1 3/4" long bolt and washer. Use flag nut inside of frame rail.

**PASSENGER SIDE:**

Install  $\varnothing 1/2"$  x 1 3/4" long bolt and washer. Use flag nut inside of frame rail. The skid plate will need to be notched to allow installation. See picture on next page.

**E** **Optional** (on both passenger and driver side rear mount), but recommended for offroad use. Drill 7/16"Ø hole and insert the self tapping bolts provided. Slowly tighten until fully seated.

**DRIVER SIDE:**

Install using factory supplied cross member bolt. The mounting tab will go between the frame and the cross member. See picture on next page.

**PASSENGER SIDE:**

Install using factory supplied cross member bolt. The mounting tab will go on top of the skid plate. See picture on next page.

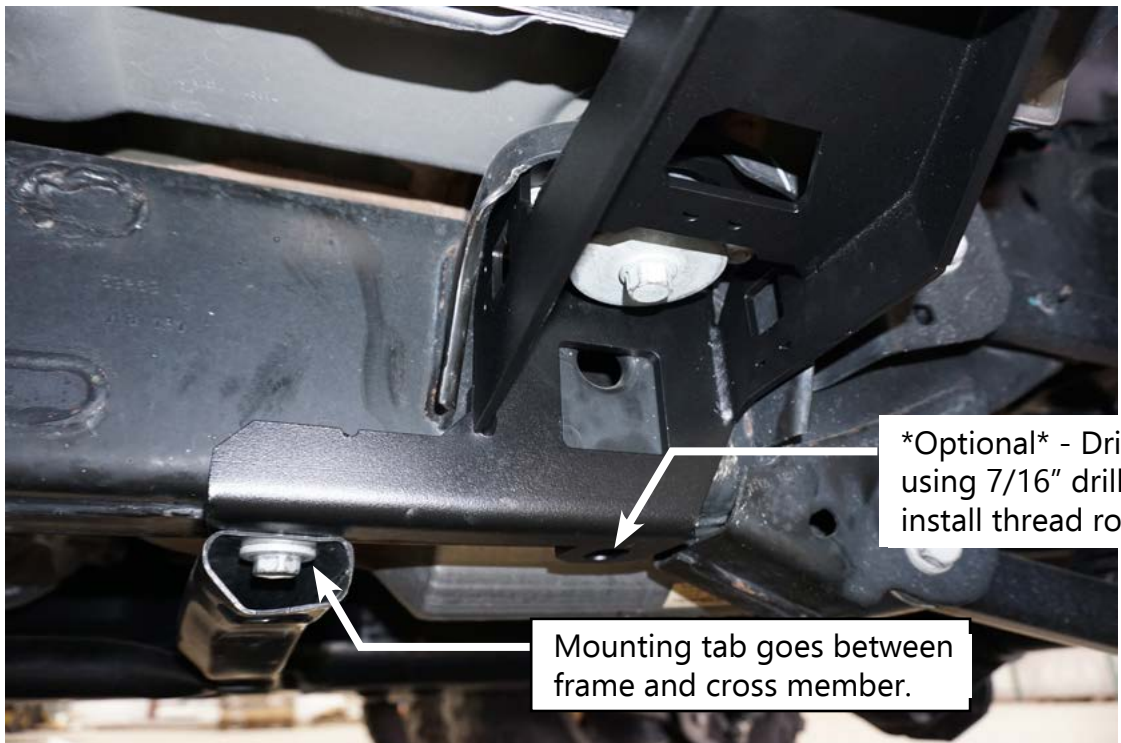
**F** Some welds and seams may need to be ground flat with a hand grinder. The dashed line indicates where we had to grind a drippy weld.

# FRONT AND REAR MOUNTS - (DRIVER SIDE SHOWN)

## Front Mount

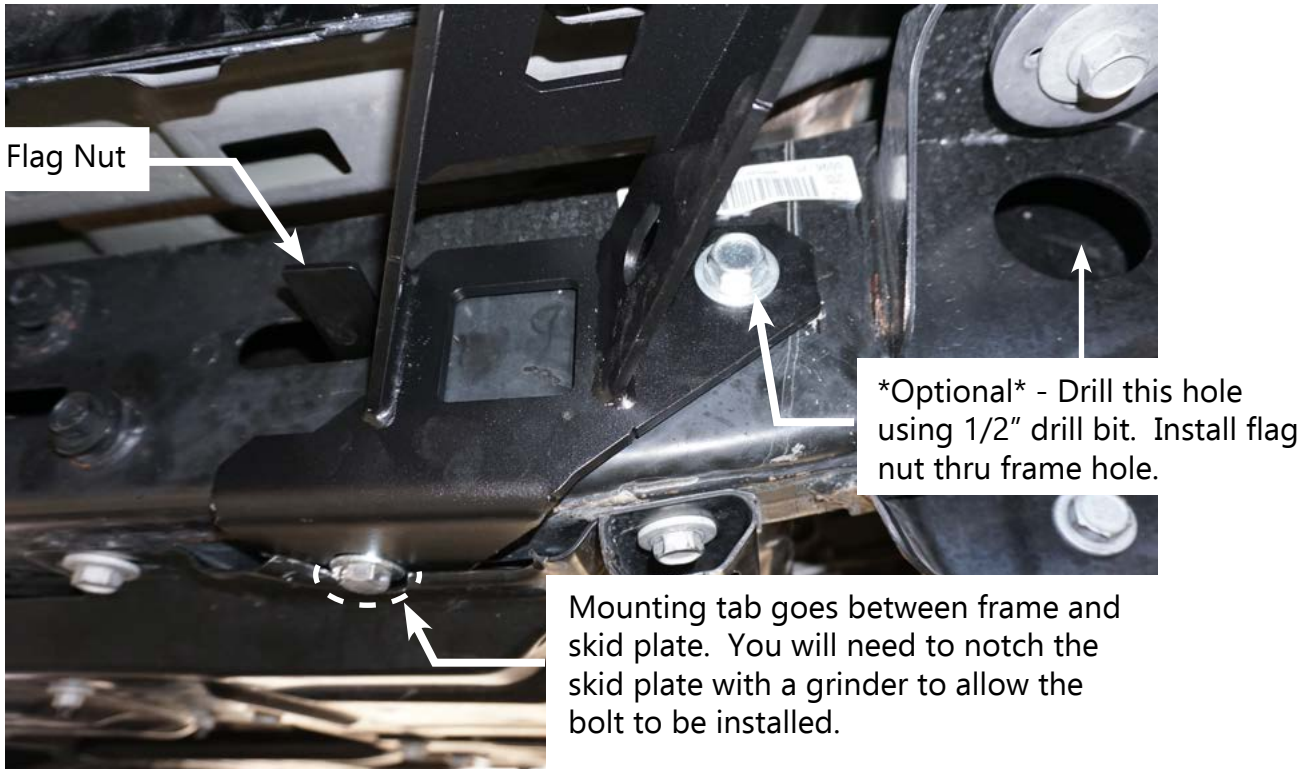


## Rear Mount

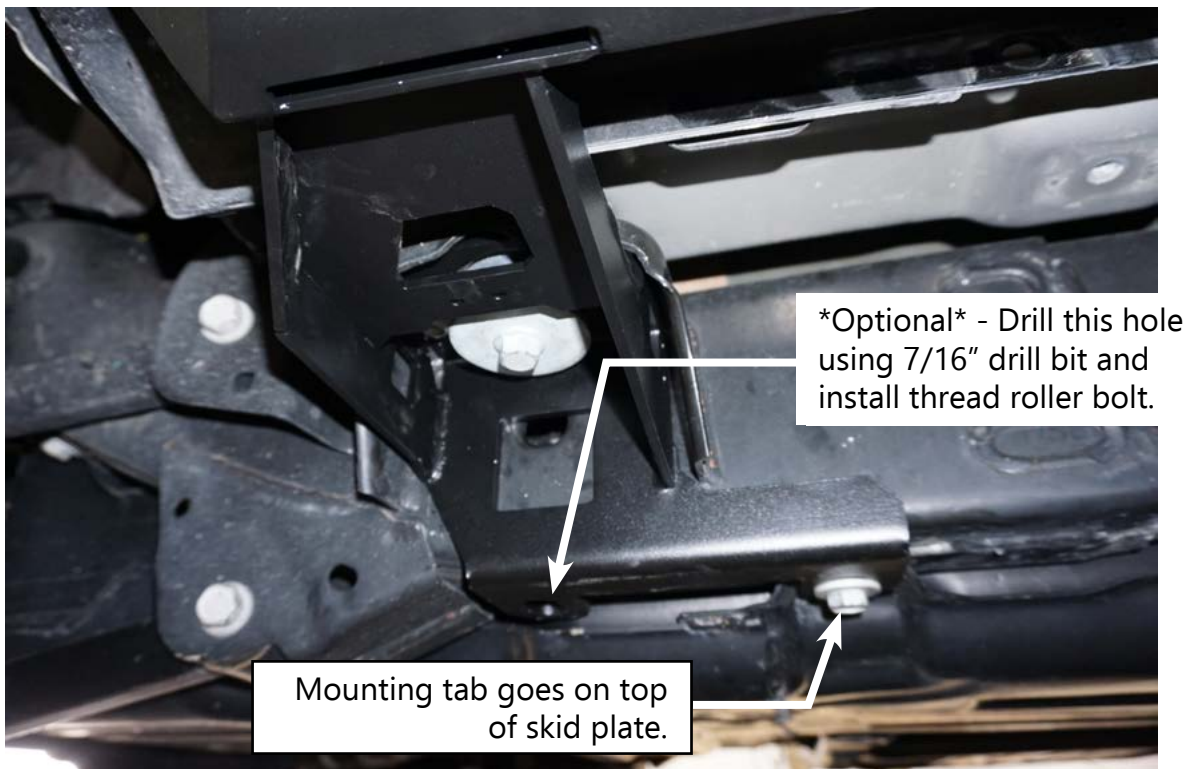


# FRONT AND REAR MOUNTS - (PASSENGER SIDE SHOWN)

## Front Mount



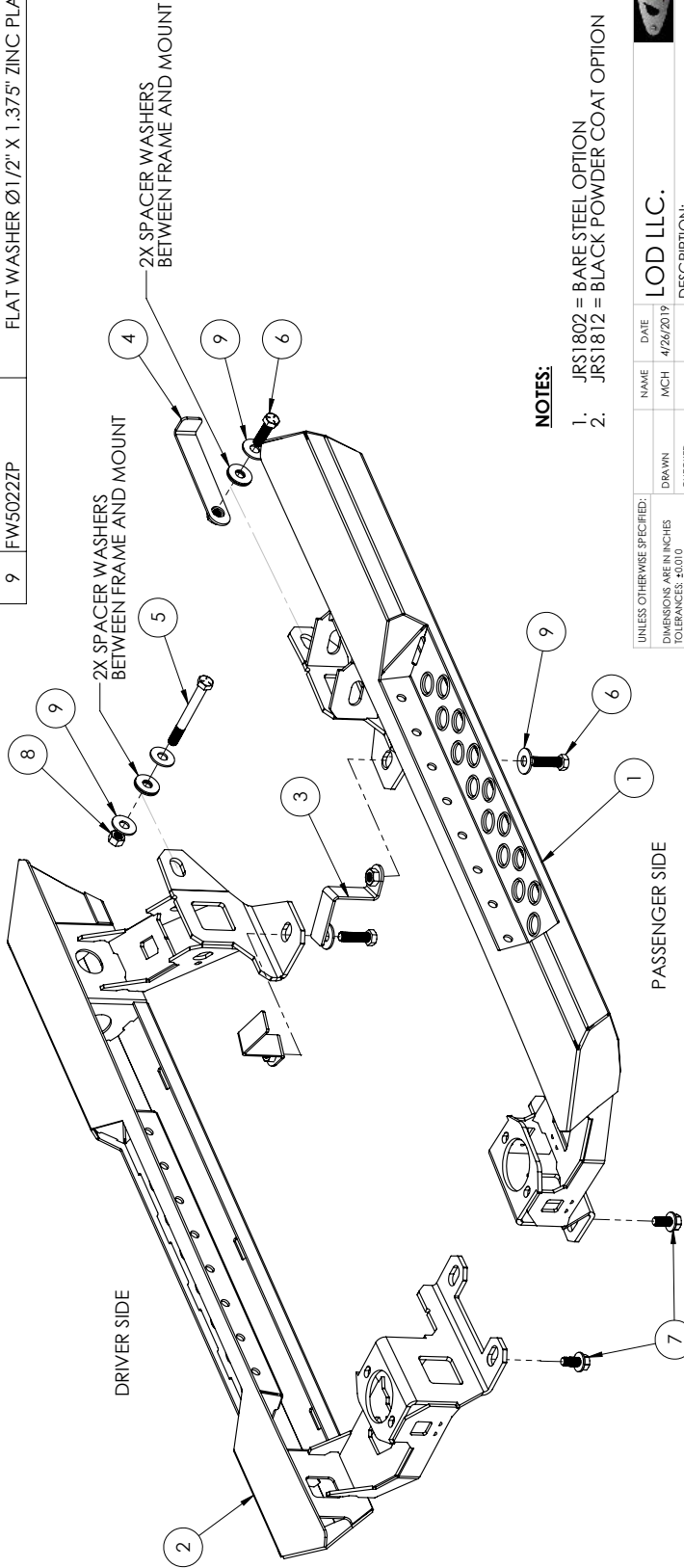
## Rear Mount



ITEM NO.	PART NUMBER	DESCRIPTION	QTY.
1	4JRS1802-07	JL 2DR DESTROYER SLIDER WELDMENT - PS	1
2	4JRS1802-08	JL 2DR DESTROYER SLIDER WELDMENT - DS	1

**HARDWARE**

ITEM NO.	PART NUMBER	DESCRIPTION	QTY.
3	THN5013ZPGR5-02	TABBED HEX NUT 1/2-13 ZINC PLATE GR5	2
4	4JRS0754-09	FLAG NUT 1/2-13 ZINC PLATE GR5	1
5	HB501372ZPGR5	HEX BOLT 1/2-13 X 4.50 HEX BOLT ZINC PLATE GR5	1
6	HB501328ZPGR5	HEX BOLT 1/2-13 X 1.75 HEX BOLT ZINC PLATE GR5	3
7	TR501316ZP	THREAD ROLLER 1/2-13 X 1.00 HEX ZINC PLATE	2
8	HN5013ZPGR5	HEX NUT 1/2-13 ZINC PLATE GR5	1
9	FW5022ZP	FLAT WASHER Ø1/2" X 1.375" ZINC PLATE	9



**NOTES:**

- JRS1802 = BARE STEEL OPTION
- JRS1812 = BLACK POWDER COAT OPTION

UNLESS OTHERWISE SPECIFIED:		NAME	DATE
DIMENSIONS ARE IN INCHES	DRAWN	MCH	4/24/2019
TOLERANCES: ±0.010	CHECKED		
±0.005	ENG APPR.		
TWO PLACE DECIMAL	MFG APPR.		
THREE PLACE DECIMAL	MATERIAL		
	FINISH		
	SEE NOTES		
	ECCO:		
	PROHIBITED:		

LOD LLC.

DESCRIPTION:  
JEEP JL DESTROYER FRAME  
MOUNTED 2 DR ROCK SLIDERS

DWG. NO. JRS1802  
JRS1812

REV A

SCALE: 1:6 SHEET SIZE: B SHEET 1 OF 1

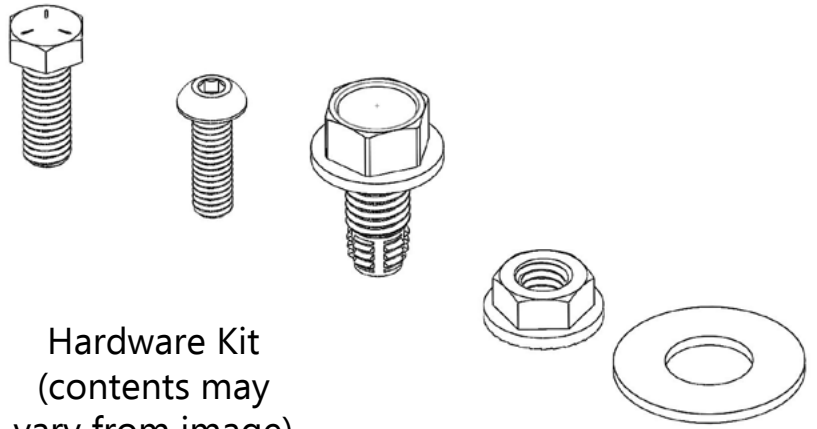


**JL Jeep**  
**Destroyer Series**  
 2 Door Rock Sliders  
 Shipping Sheet  
 Packaged by:

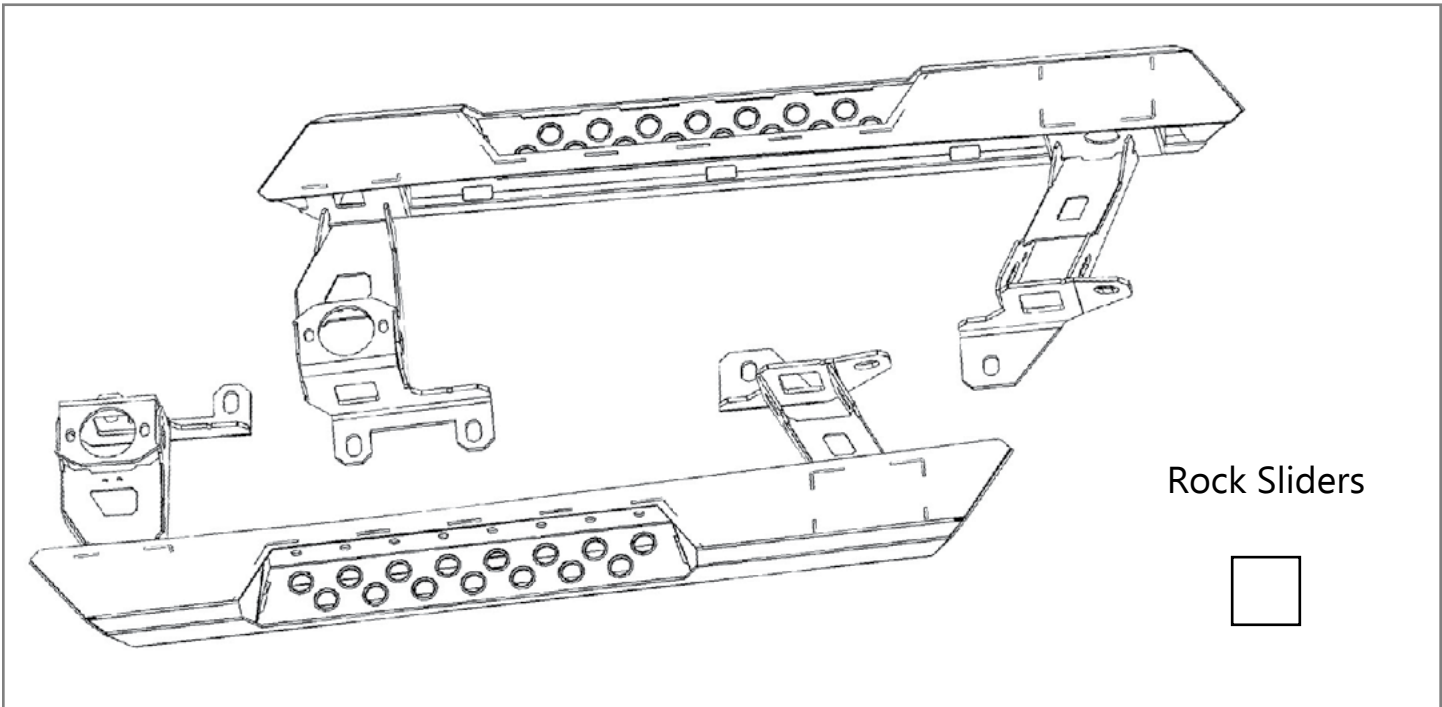
\_\_\_\_\_

On:

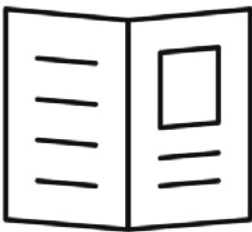
\_\_\_\_\_



Hardware Kit  
 (contents may vary from image)



Rock Sliders



Install Instruction Booklet





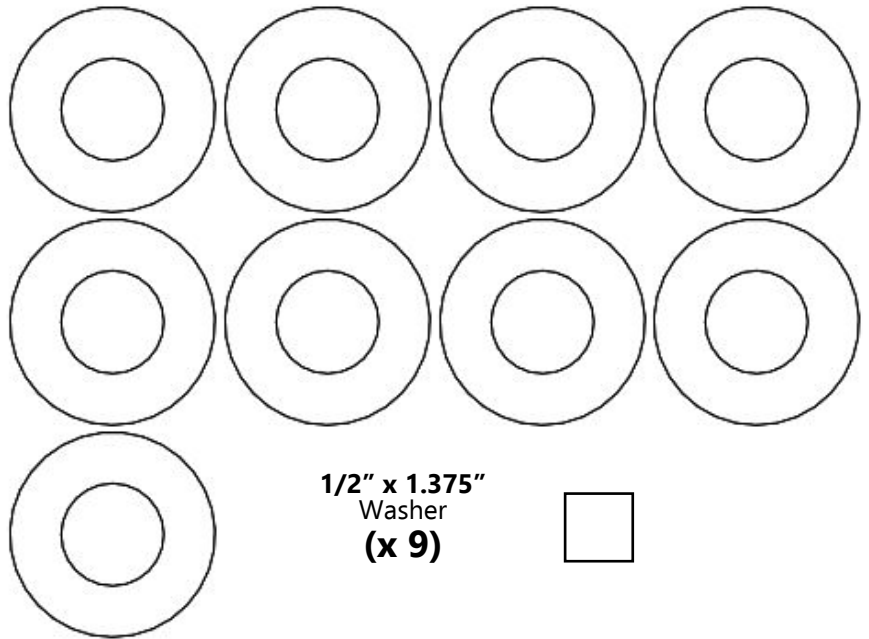
**JL Jeep  
Destroyer Series  
2 Door Rock Sliders  
Bolt Kit**

Packaged by:

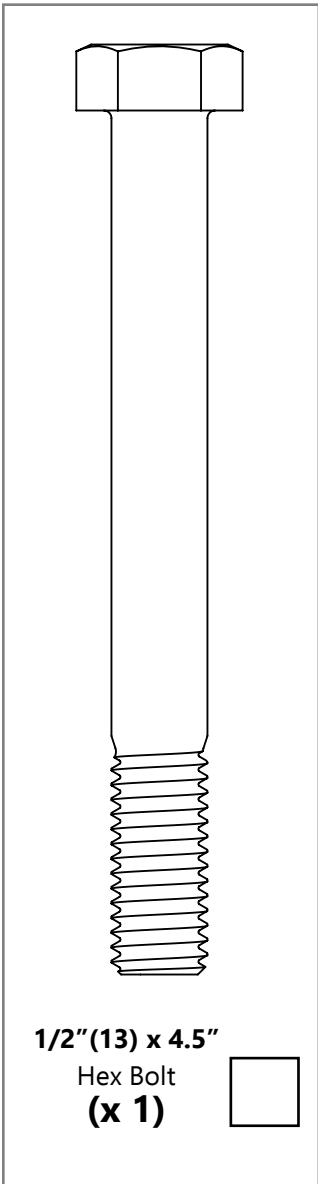
\_\_\_\_\_

On:

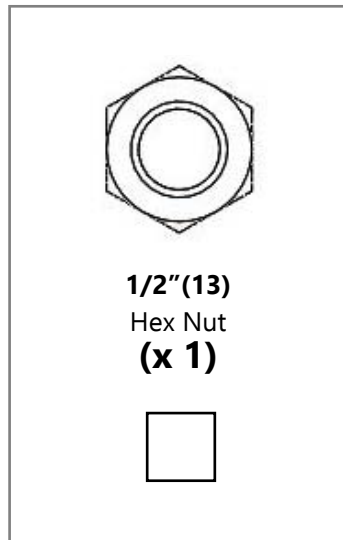
\_\_\_\_\_



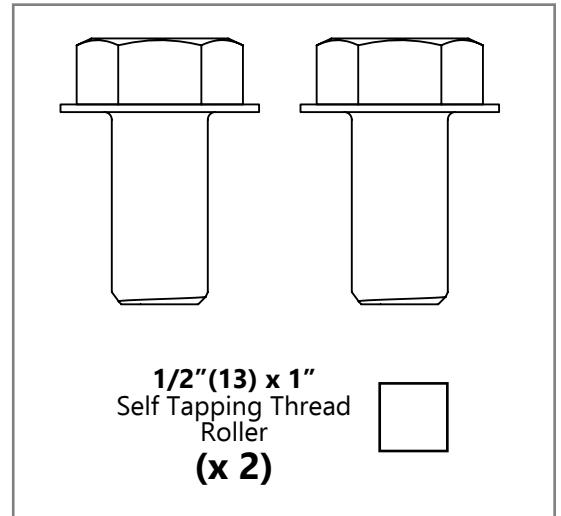
**1/2" x 1.375"  
Washer  
(x 9)**



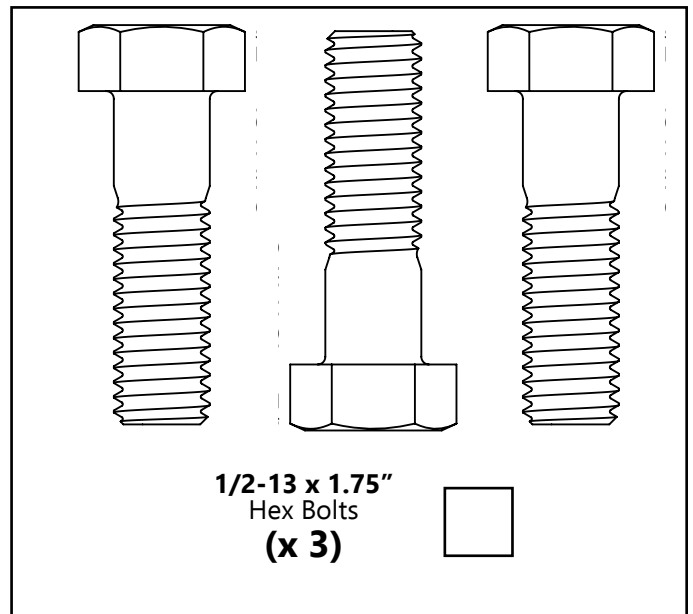
**1/2" (13) x 4.5"  
Hex Bolt  
(x 1)**



**1/2" (13)  
Hex Nut  
(x 1)**



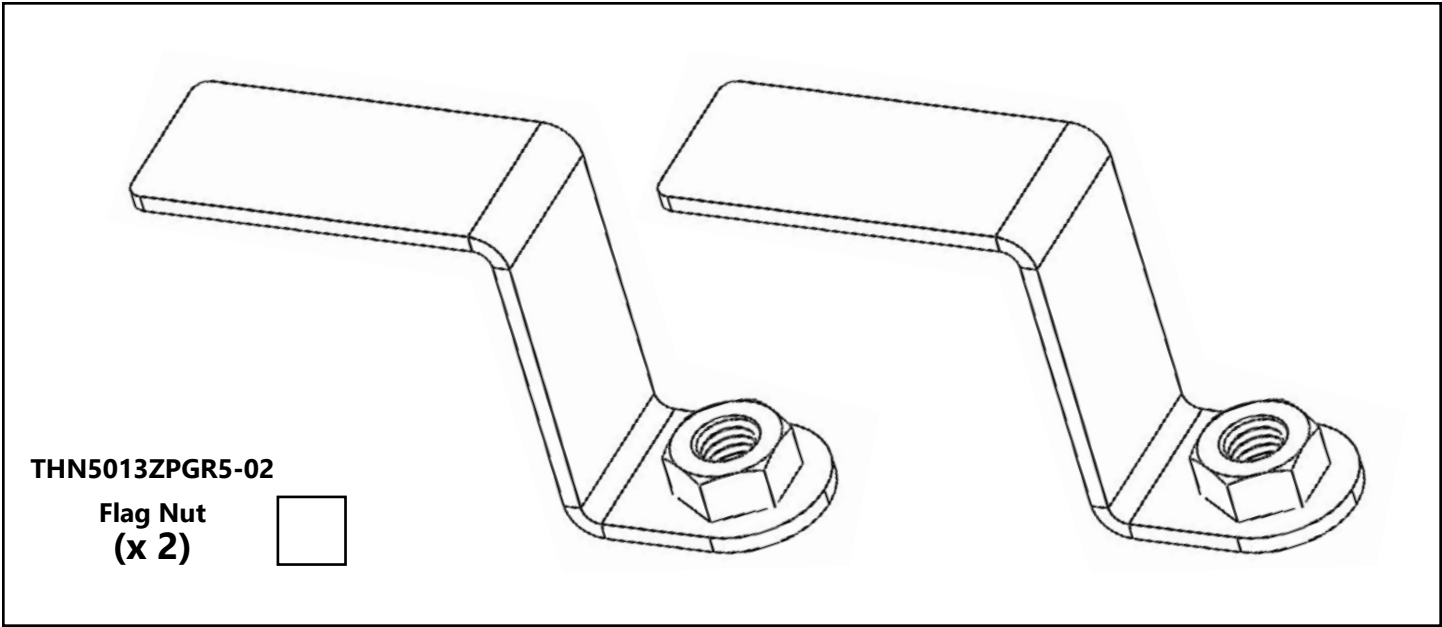
**1/2" (13) x 1"  
Self Tapping Thread  
Roller  
(x 2)**



**1/2-13 x 1.75"  
Hex Bolts  
(x 3)**







4JRS0754-09

Flag Nut  
(x 1)

