



SIGNATURE SERIES



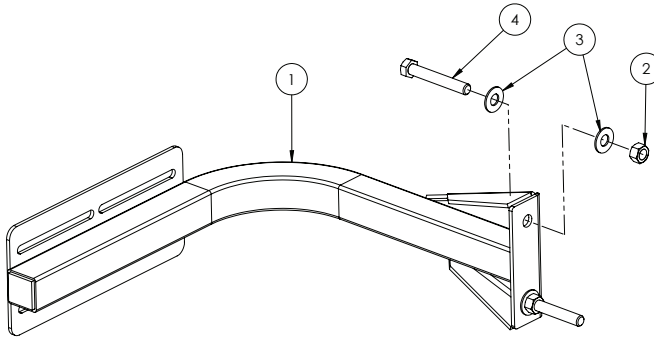
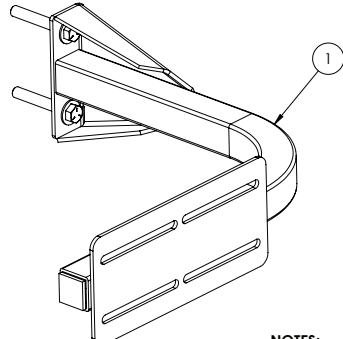
ROTOPAX MOUNTS

PLEASE READ THROUGH THE INSTRUCTIONS BEFORE BEGINNING ANY PART OF THE INSTALLATION PROCESS

WEB INSTALL LINK:


<http://lodoffroad.com/assets/pdfs/JRP9600.pdf>

ITEM NO.	PART NUMBER	DESCRIPTION	QTY.
1	4JRP9600-01	TJ G2 SIGNATURE ROTOPAX MOUNT	2
2	HN3816ZPGR5	HEX NUT 3/8-16 ZINC PLATE GR5	4
3	FW3814ZP	FLAT WASHER Ø3/8" X .875 ZINC PLATE	8
4	HB381640ZPGR5	HEX BOLT 3/8-16 X 2.50 ZINC PLATE GR5	4

NOTES:

- JRP9600 = BARE STEEL OPTION
- JRP9601 = BLACK POWDER COAT OPTION

UNLESS OTHERWISE SPECIFIED:		NAME	DATE	LOD LLC.  DESCRIPTION: TJ G2 SIGNATURE ROTOPAX MOUNT	
DIMENSIONS ARE IN INCHES		DRAWN	MCH		8/30/18
TOLERANCES: ±0.010		CHECKED			
ANGULAR: MACH1*		ENG APPR.			
TWO PLACE DECIMAL: ±0.015		MFG APPR.			
THREE PLACE DECIMAL: ±0.005					
PROPRIETARY AND CONFIDENTIAL THE INFORMATION CONTAINED IN THIS DRAWING IS THE SOLE PROPERTY OF LOD LLC. ANY REPRODUCTION IN PART OR AS A WHOLE WITHOUT THE WRITTEN PERMISSION OF LOD LLC IS PROHIBITED.		MATERIAL:	N/A		
		FINISH:	SEE NOTES		
		ECC:	-		
		DWG. NO.	JRP9600 JRP9601	REV A	
		SCALE:	1:3	SHEET SIZE: B	
				SHEET 1 OF 1	



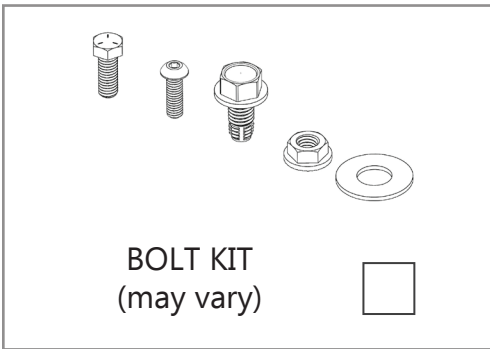
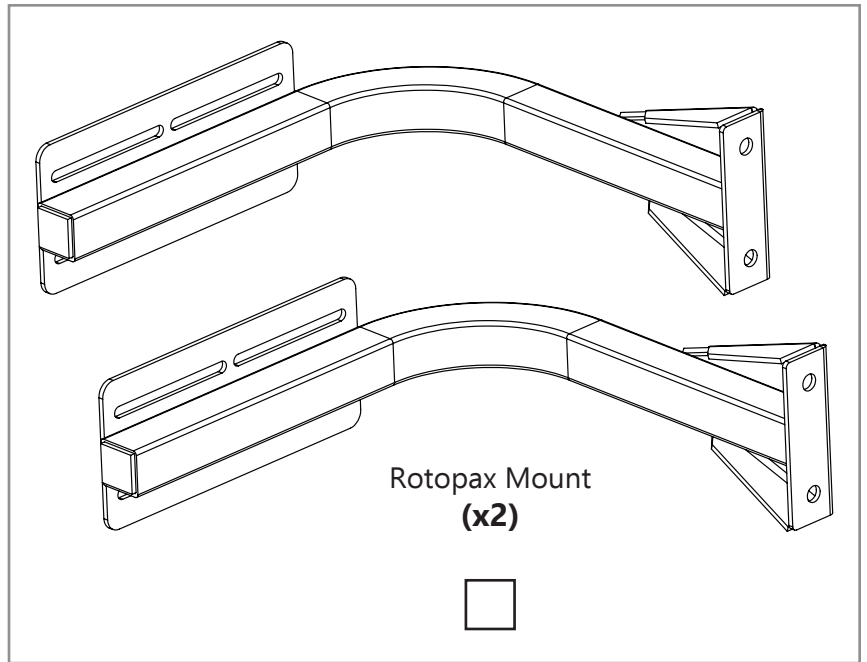
TJ SIGNATURE SERIES

Rotopax Mounts

SHIPPING SHEET

Packaged by:

On:

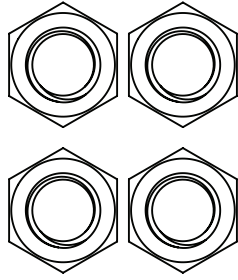




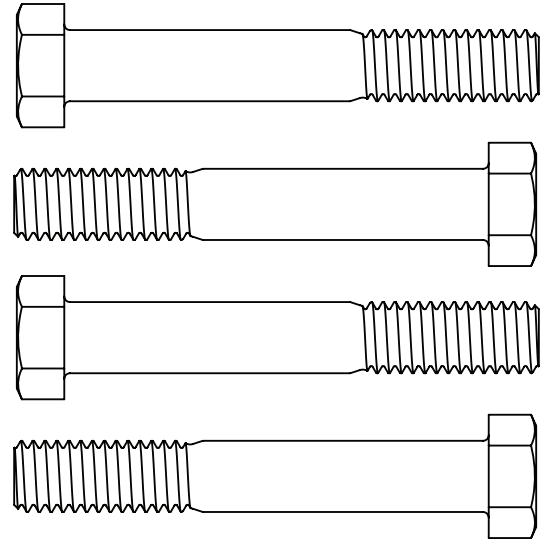
TJ SIGNATURE SERIES
Rotopax Mounts
Bolt Kit

Packaged by:

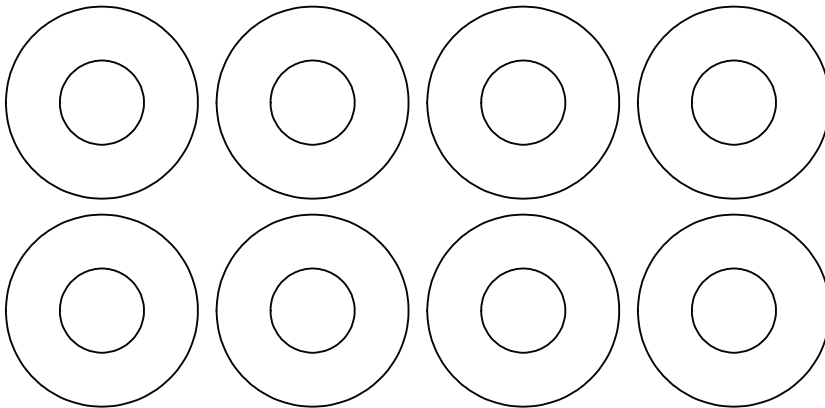
On:



Hex Nut
3/8"-16
(x4)



Hex Bolt
3/8"-16 x 2.5"
(x4)



Flat Washer 3/8"
(x8)

