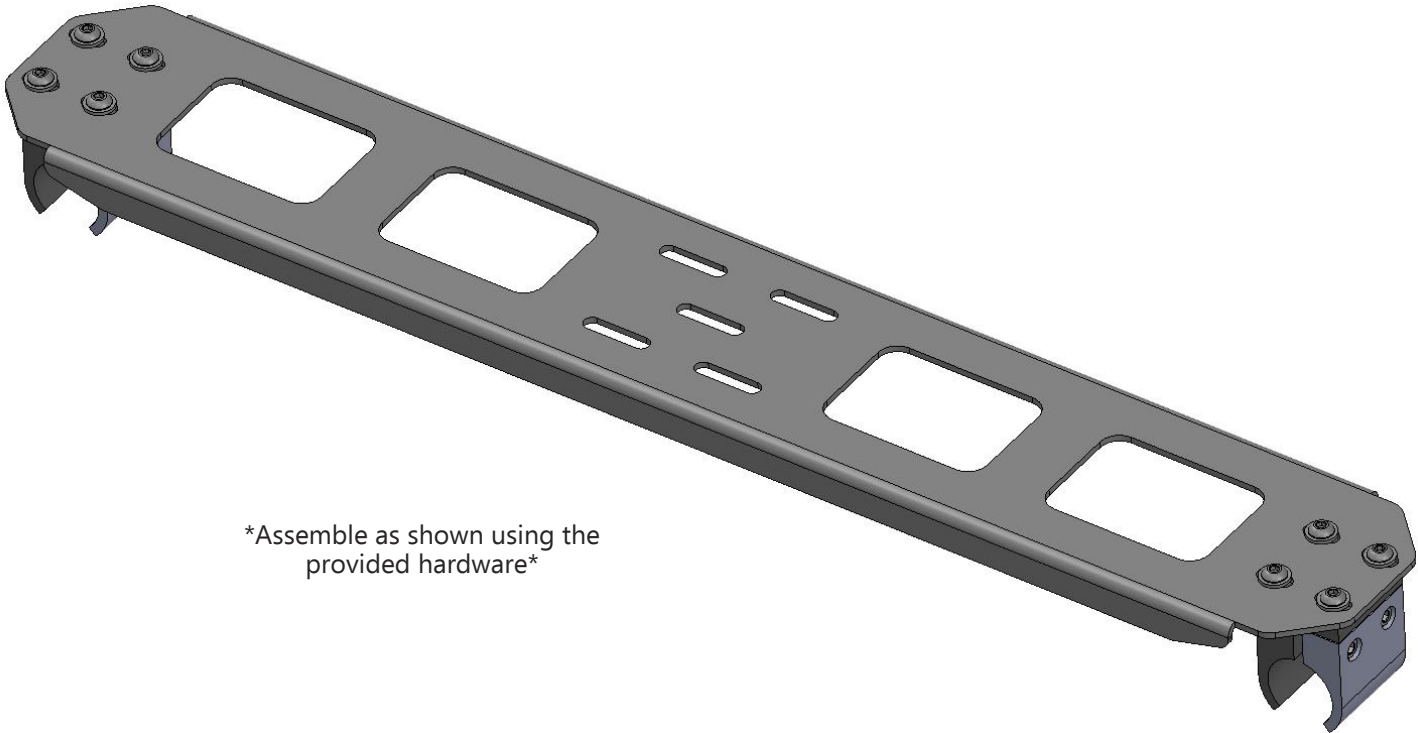


WEB LINK: <http://lodoffroad.com/assets/pdfs/JRP0791 ROTOPAX MOUNT.pdf>

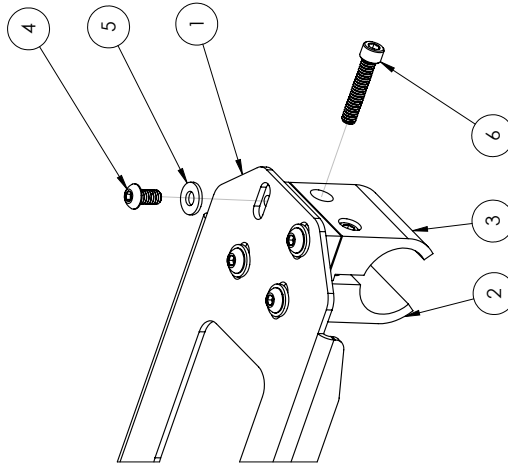
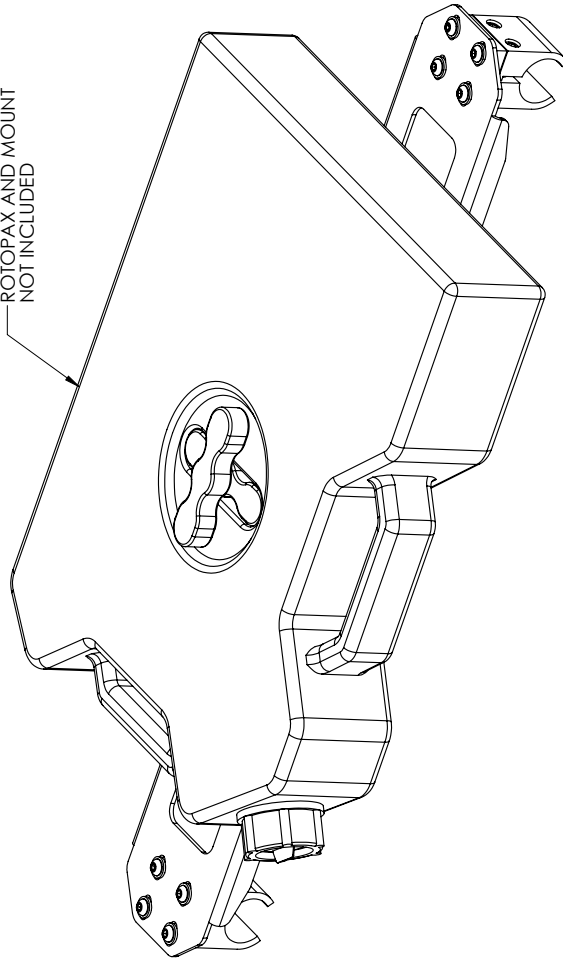
VERIFY YOU HAVE ALL THE COMPONENTS BEFORE STARTING THE INSTALLATION. REFER TO THE ENGINEERING DRAWINGS AT THE END OF THIS DOCUMENT FOR A COMPLETE PARTS LIST



Assemble as shown using the provided hardware

ITEM NO.	PART NUMBER	DESCRIPTION	QTY.
1	2JRP0790-01	ROTOPAX BASE PLATE	1
2	2JRR0704-75	BAR CLAMP BOTTOM	2
3	2JRR0704-76	BAR CLAMP TOP	2
4	BHSCS 1/4-20 X 0.50 ZINC PLATE	BHSCS 1/4-20 X 0.50 ZINC PLATE	8
5	FW1209ZP	FLAT WASHER #12 X .56" ZINC PLATED	8
6	SHSCS 1/4-20 X 1.25 ZINC PLATE	SHSCS 1/4-20 X 1.25 ZINC PLATE	4

ROTOPAX AND MOUNT NOT INCLUDED



UNLESS OTHERWISE SPECIFIED:		NAME	DATE
DIMENSIONS ARE IN INCHES		MCH	6/21/2019
ANGULAR DIMENSIONS			
TWO PLACE DECIMAL	±0.015		
THREE PLACE DECIMAL	±0.005		
DRAWN		LOD LLC.	
CHECKED		DESCRIPTION:	
ENG APPR.		JEEP ROOF RACK ROTOPAX MOUNT	
MFG APPR.			
MATERIAL:		DWG. NO.	
N/A		JRP0791	
FINISH:		SCALE: 1:3	
BLACK POWDER COAT		SHEET SIZE: B	
PROPERTY OF LOD LLC. ANY REPRODUCTION OR ASSEMBLY WITHOUT THE WRITTEN PERMISSION OF LOD LLC IS PROHIBITED.		REV	
		A	
		SHEET 1 OF 1	



LOD LLC.

DESCRIPTION:
JEEP ROOF RACK ROTOPAX MOUNT

DWG. NO.
JRP0791

SCALE: 1:3

SHEET SIZE: B

REV
A

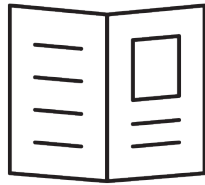
SHEET 1 OF 1



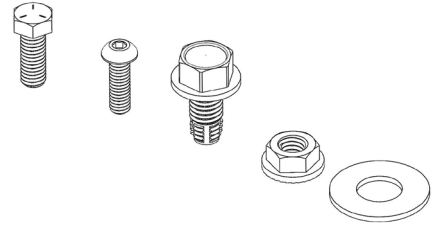
JK/JL Jeep
DESTROYER SERIES
ROOF RACK
ROTOPAX MOUNT
SHIPPING SHEET

Packaged by:

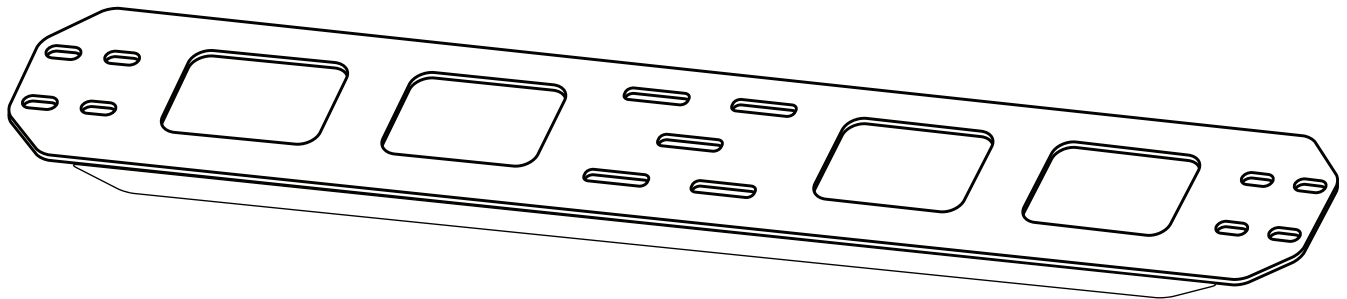
On:



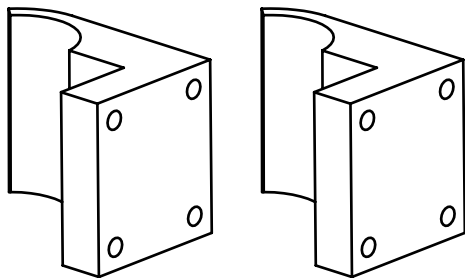
Instruction
Booklet



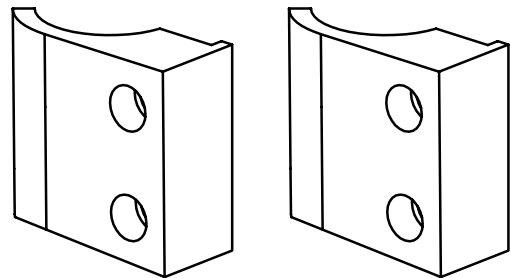
BOLT KIT
(may vary)



ROTOPAX BASE PLATE
2JRP0790-01
(x1)



BAR CLAMP BOTTOM
2JRR0704-75
(x2)



BAR CLAMP TOP
2JRR0704-76
(x2)

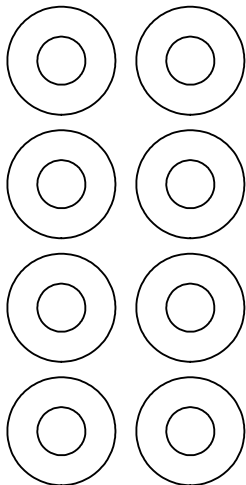




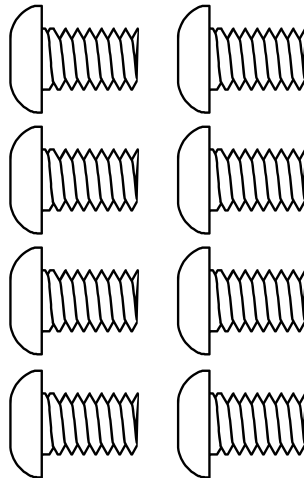
JK/JL Jeep
DESTROYER SERIES
ROOF RACK
ROTOPAX MOUNT
BOLT KIT

Packaged by:

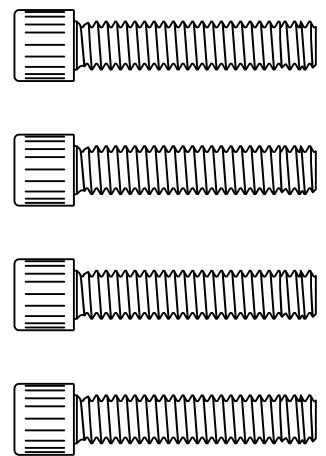
On:



FLAT WASHER
#12X.56"
(x8)



BUTTON HEAD
1/4-20 X 0.50"
(x8)



SOCKET HEAD SCREW
1/4-20 X 1.25"
(x4)

