



**DESTROYER SERIES**

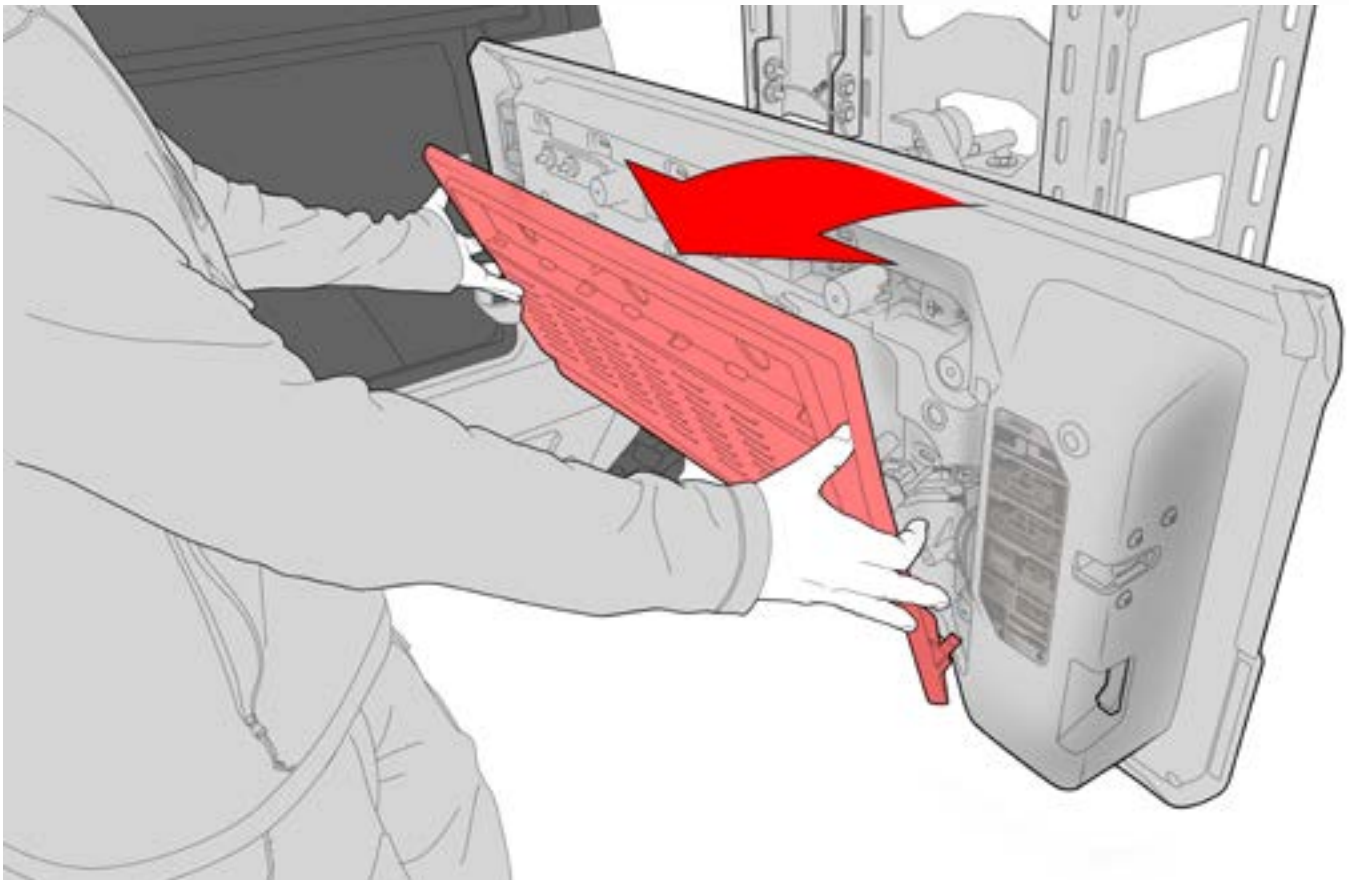
**JL**

**JEEP JL REAR BUMPER TIRE  
CARRIER CAMERA KIT**



**WEB LINK:** <http://lodoffroad.com/assets/pdfs/JRC1801.pdf>

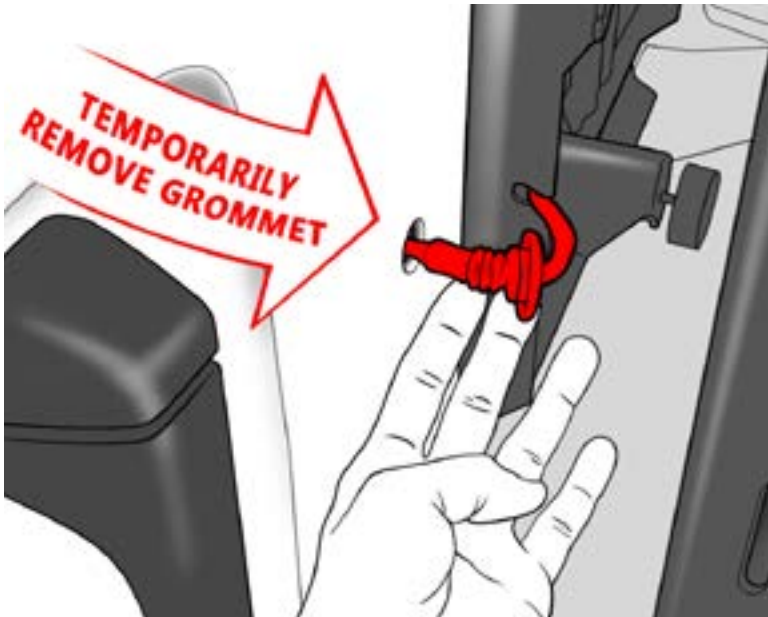
**\*VERIFY YOU HAVE ALL THE COMPONENTS BEFORE STARTING THE INSTALLATION. REFER TO THE  
ENGINEERING DRAWINGS AT THE END OF THIS DOCUMENT FOR A COMPLETE PARTS LIST\***



Remove the tailgate liner to access the wires underneath.



Disconnect the white camera connector and the third brake light (top two connectors).



Next, you will separate the third brake light and camera from the stock tire mount.

You will need to pull the wire grommet and pull the third brake light and stock camera wire connectors out through the hole in order to detach the stock tire mount.



You can now remove the stock tire carrier and disassemble it to remove the camera and the third brake light + the corresponding wire.

# Relocating The Camera

This diagram shows the removal of the camera system from the stock tire carrier.

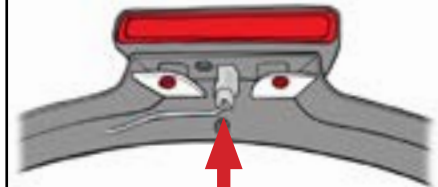
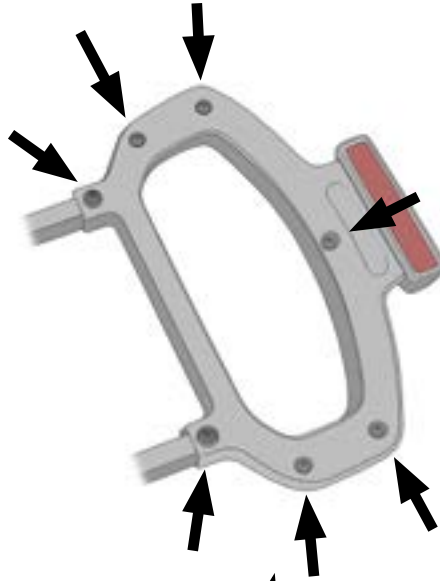
1

Remove the two small screws.

2

Thread on lug nuts 0.5" and push down on them to pop out the insert in step 3.

Use a T-25 Torx bit, remove the seven bolts that secure the plastic cover.



Unplug the light, then remove the cable.

3

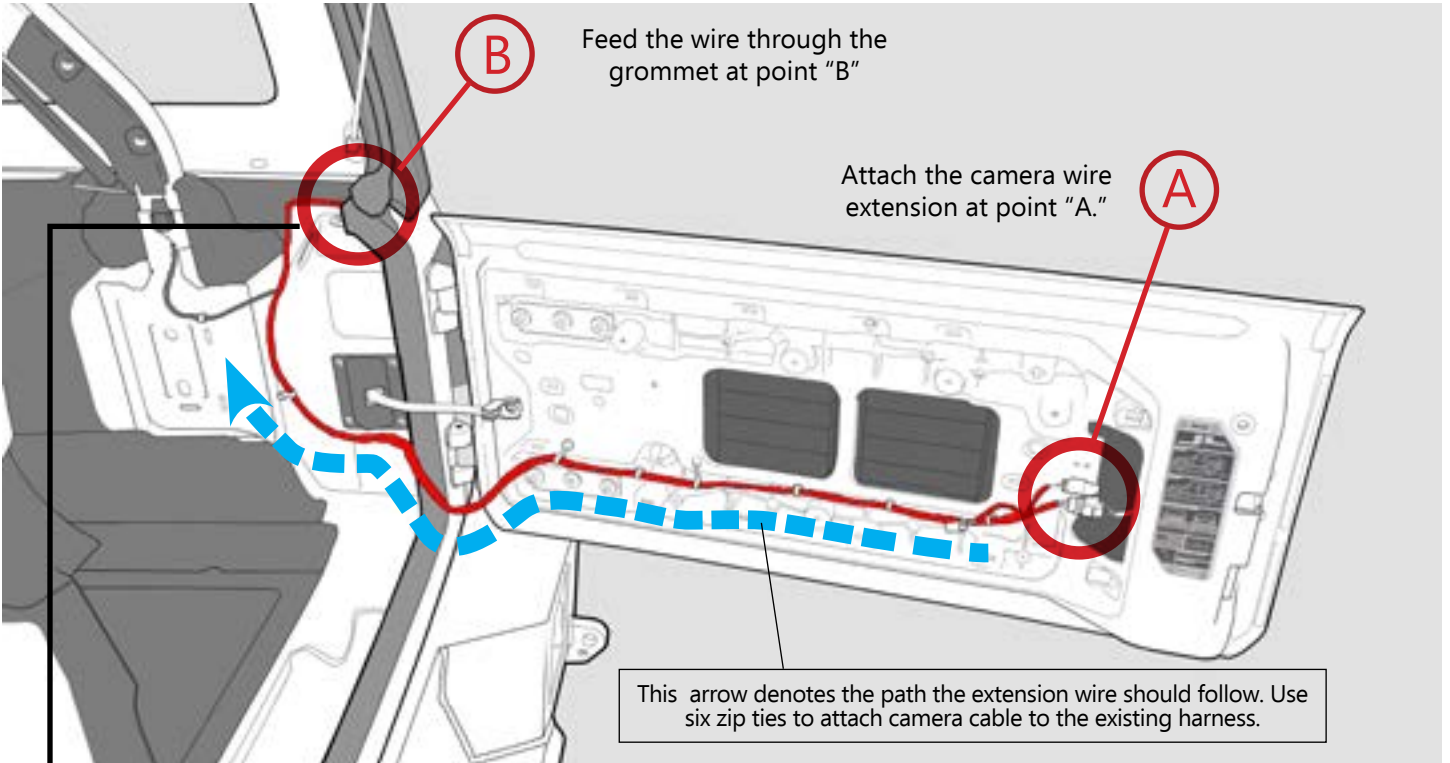
Remove insert

4

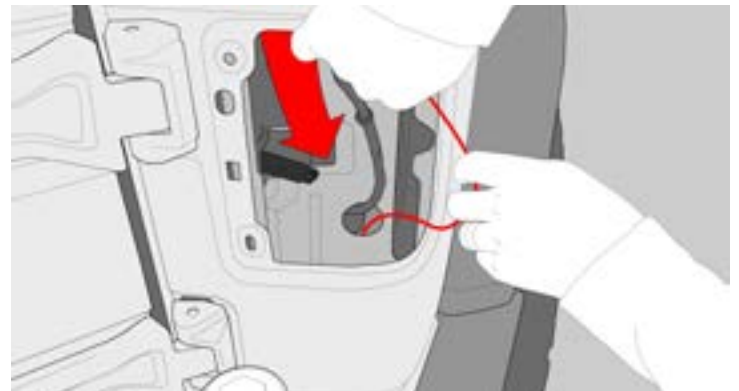
Remove second insert  
Remove the small T-8 Torx screws to remove the camera



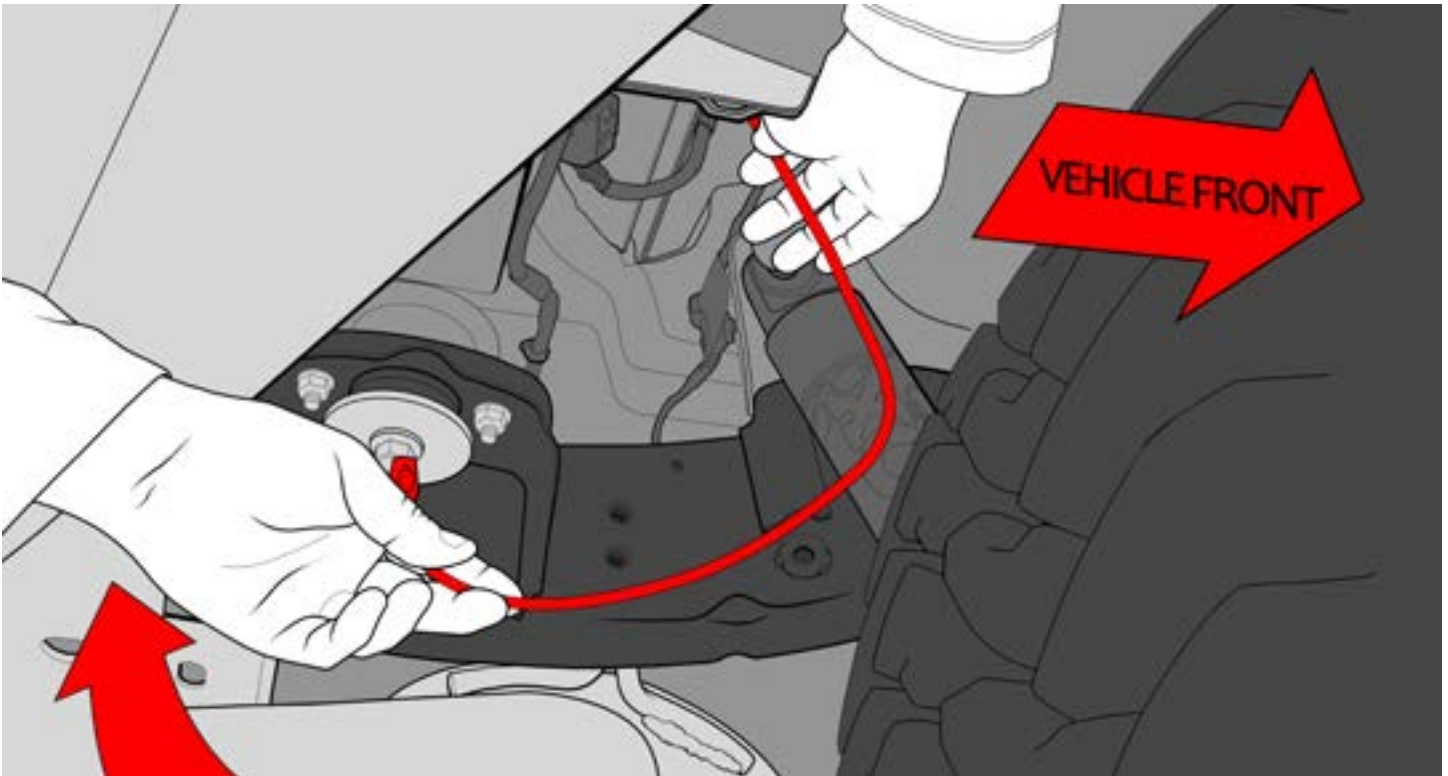
Pull off the interior trim cover on the passenger side, then remove the plastic tail light retaining bolt. This will allow you to pull off the light.



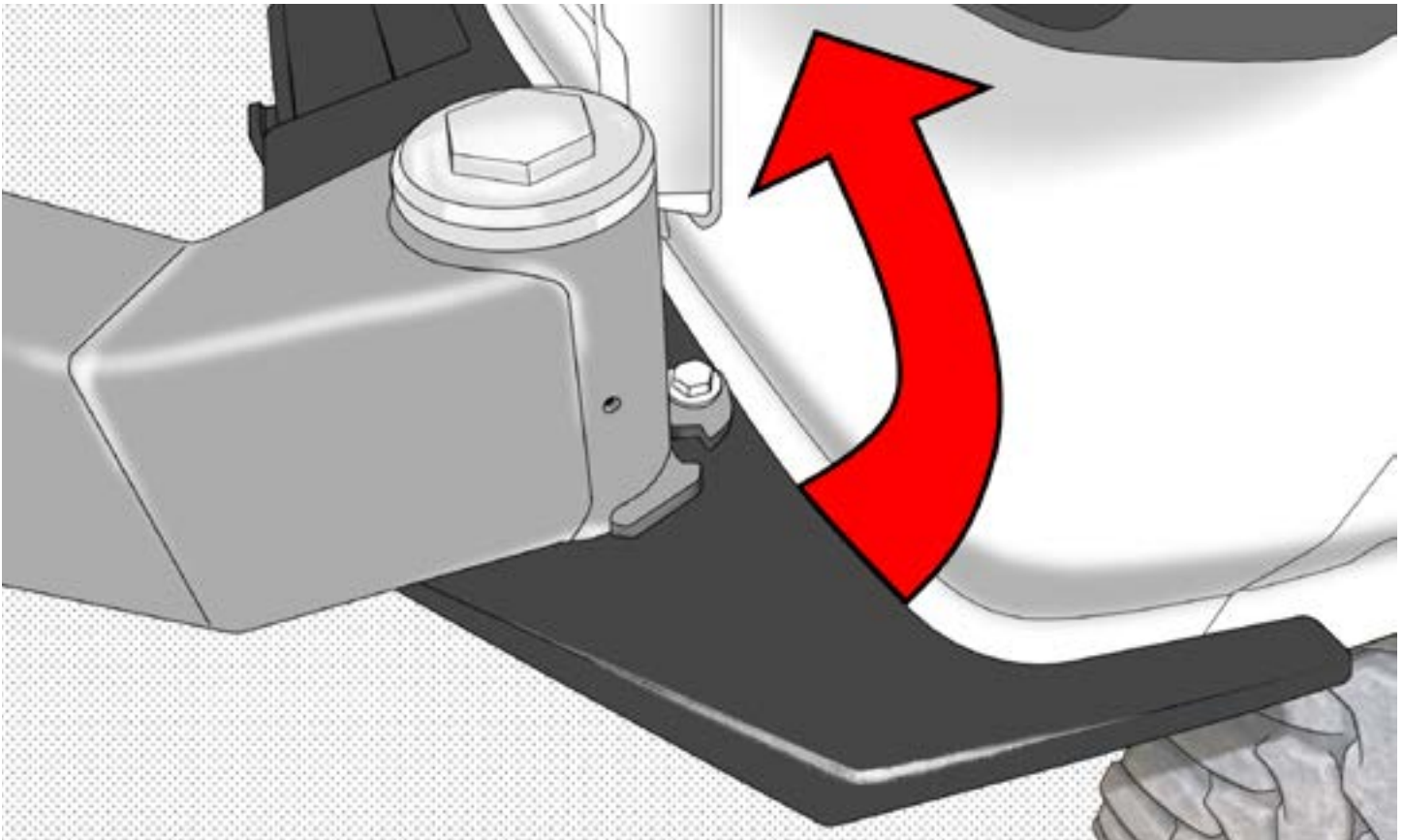
You will need to make an incision/small hole in the grommet shown (on top) in order to feed the wire extension through the tail light area.



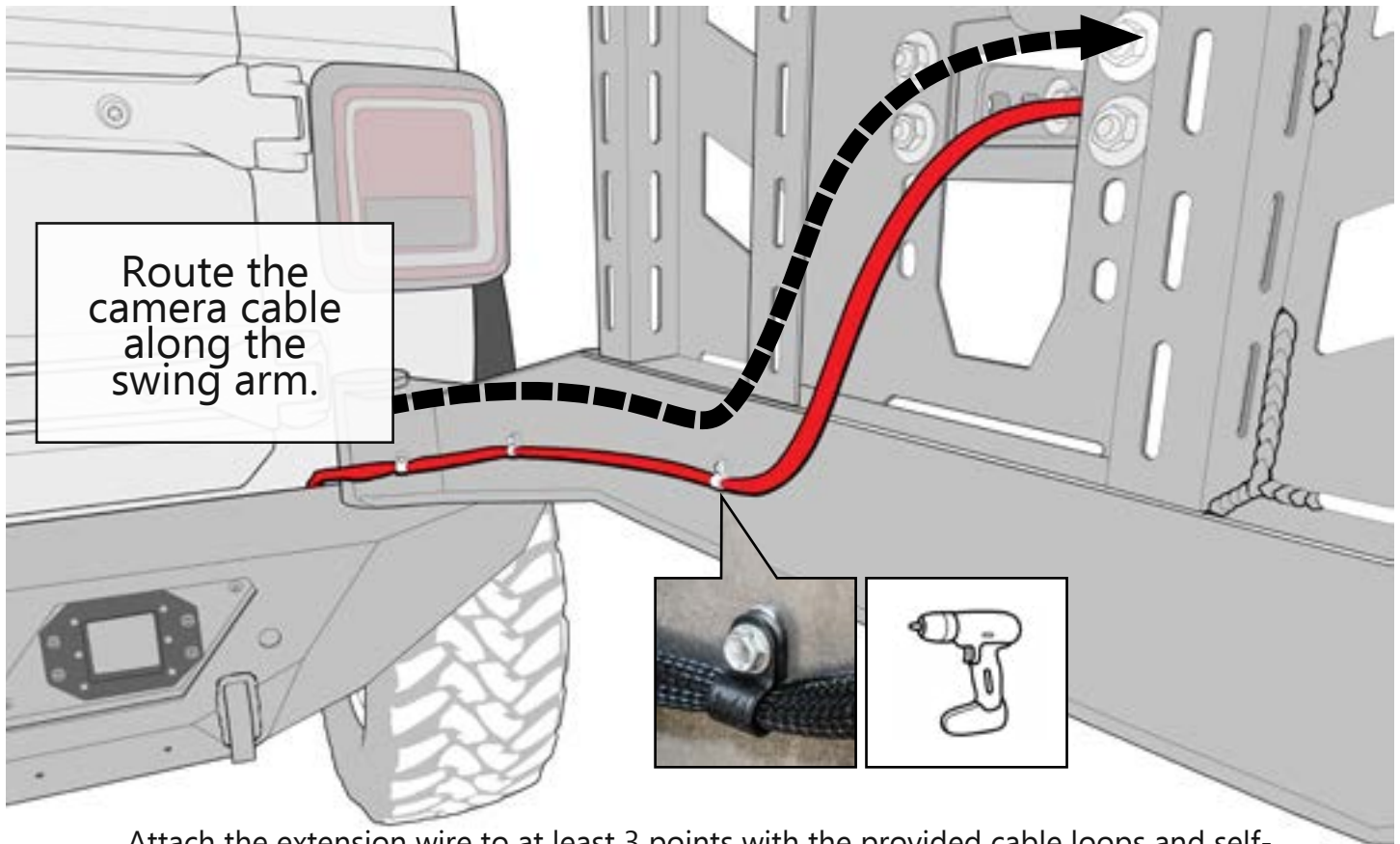
Feed the extension wire down through the hole indicated, you should see the wire come out under the Jeep.



Underneath, feed the wire back up. You can use cable ties to fix it in place on nearby parts.



The wire should come up between the Jeep and the bumper, close to the base of the swing arm. Make sure the wire is fully uncurled and not kinked or twisted anywhere. Leave it hanging for now.



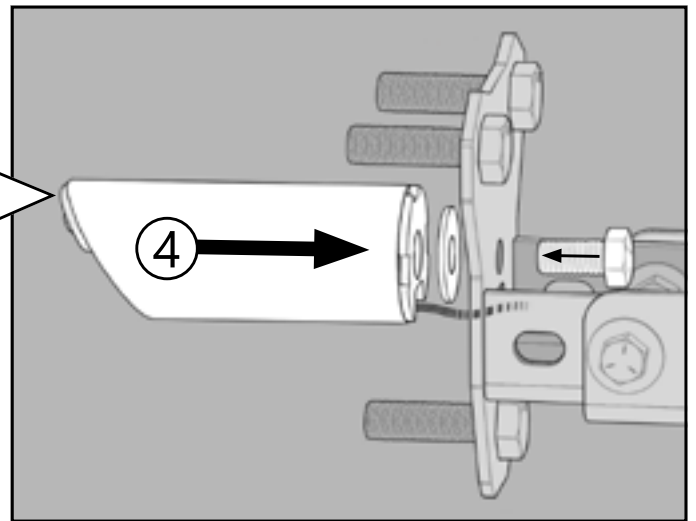
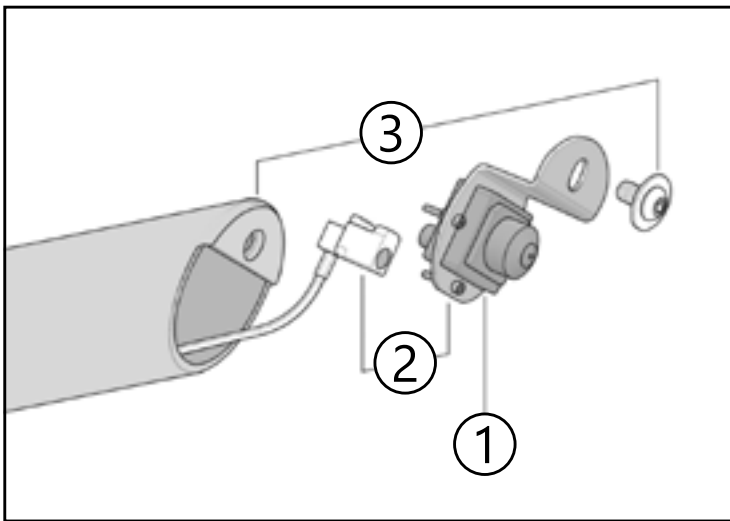
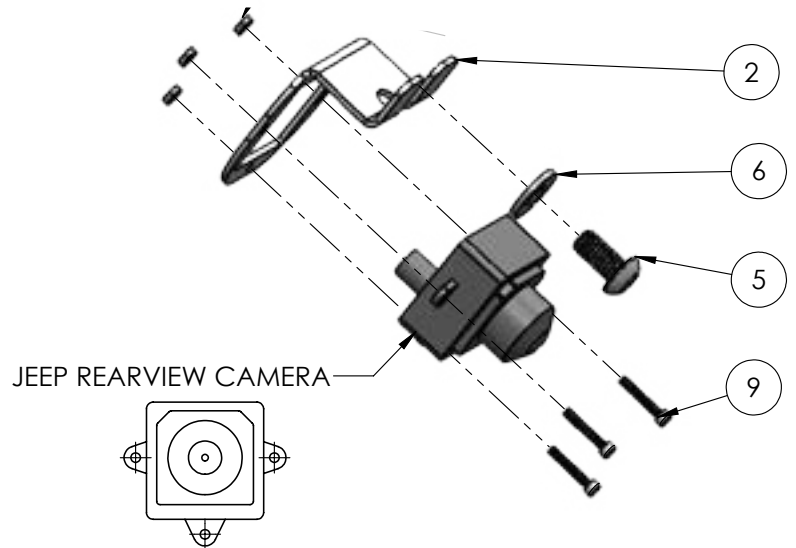
Route the camera cable along the swing arm.

Attach the extension wire to at least 3 points with the provided cable loops and self-tapping screws. You may use a bead of silicone to seal the hole in order to prevent water from entering the carrier arm.

\*\*\*Some newer model Jeeps may have a different camera style. Follow the mounting instructions below depending on your camera type.\*\*\*

## Jeep 2018-2020

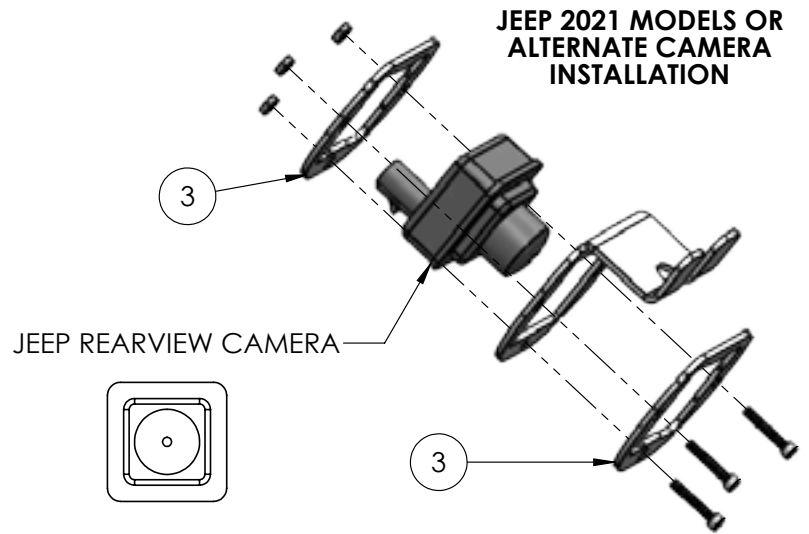
Place the camera into the square hole on the Camera Mount Clip. Secure using the small socket head screws and nuts as shown.



- ① First, attach the camera to the provided mount plate via the three (3) #2-56 x 0.5" screws and nuts.
- ② Plug the extension wire into the camera.
- ③ Attach the assembly to the main tube with the 1/4"-20 x 0.5" button head screw.
- ④ Attach the camera tube assembly to the tire mount via the provided 1/2"-13 x 1" hex bolt and washer.

## Jeep 2020+

Place the camera into the square hole on the Camera Mount Clip. Use the Clamp Plates on either side to "sandwich" the camera in place. Secure using the small socket head screws and nuts as shown.



The connector on the back of newer camera types may not fit in the correct orientation. In order to plug in the camera extension cable you will need to trim off the small ribs that orient the connector. Use a sharp utility knife or razor blade to carefully trim away these ribs.

Trim these two ribs  
\*\*On this camera style only!\*\*

Plug in the connector and orient as shown. You can rotate the pink connector end to match the image.





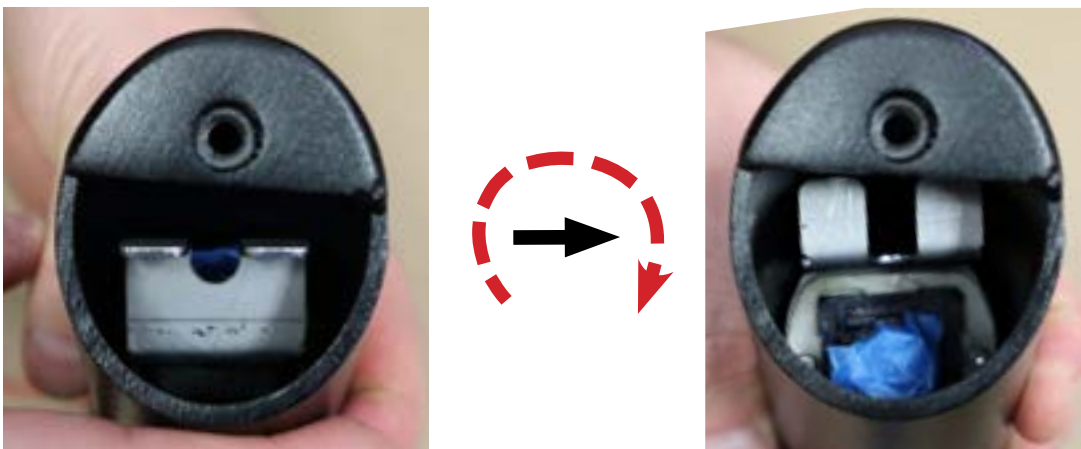
## Tips for installing “Newer Style Camera” into the Camera Tube.

Cover the camera lens with a piece of tape to protect it from getting scratched. With the camera plug attached, hold the camera and mounting bracket at shown (the camera is upside down at the moment).

Slide the camera and mounting bracket completely inside the camera tube

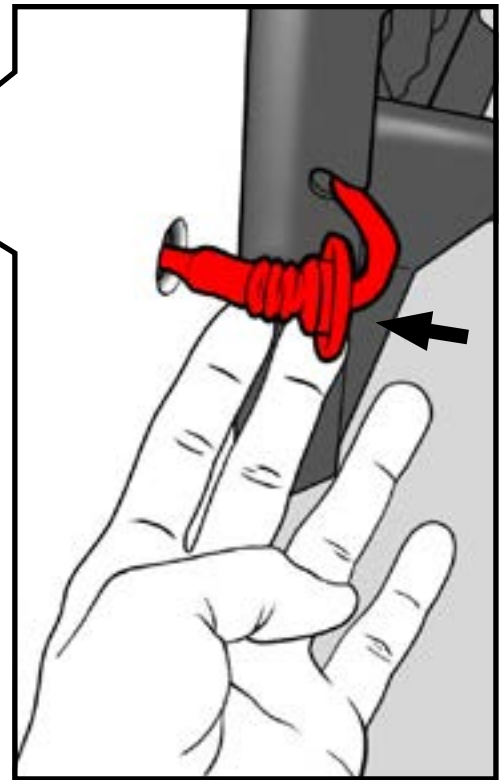


With the camera and bracket completely inside the camera tube, use your fingers or a small pair of pliers to rotate the camera and bracket 180° into the correct orientation.



With the camera in the correct orientation, slowly pull it out of the tube as shown. You may have to tilt it slightly to get it out. Remove the tape over the lens and attach using supplied hardware.





Plug the extension in, replace the grommet back into the hole.

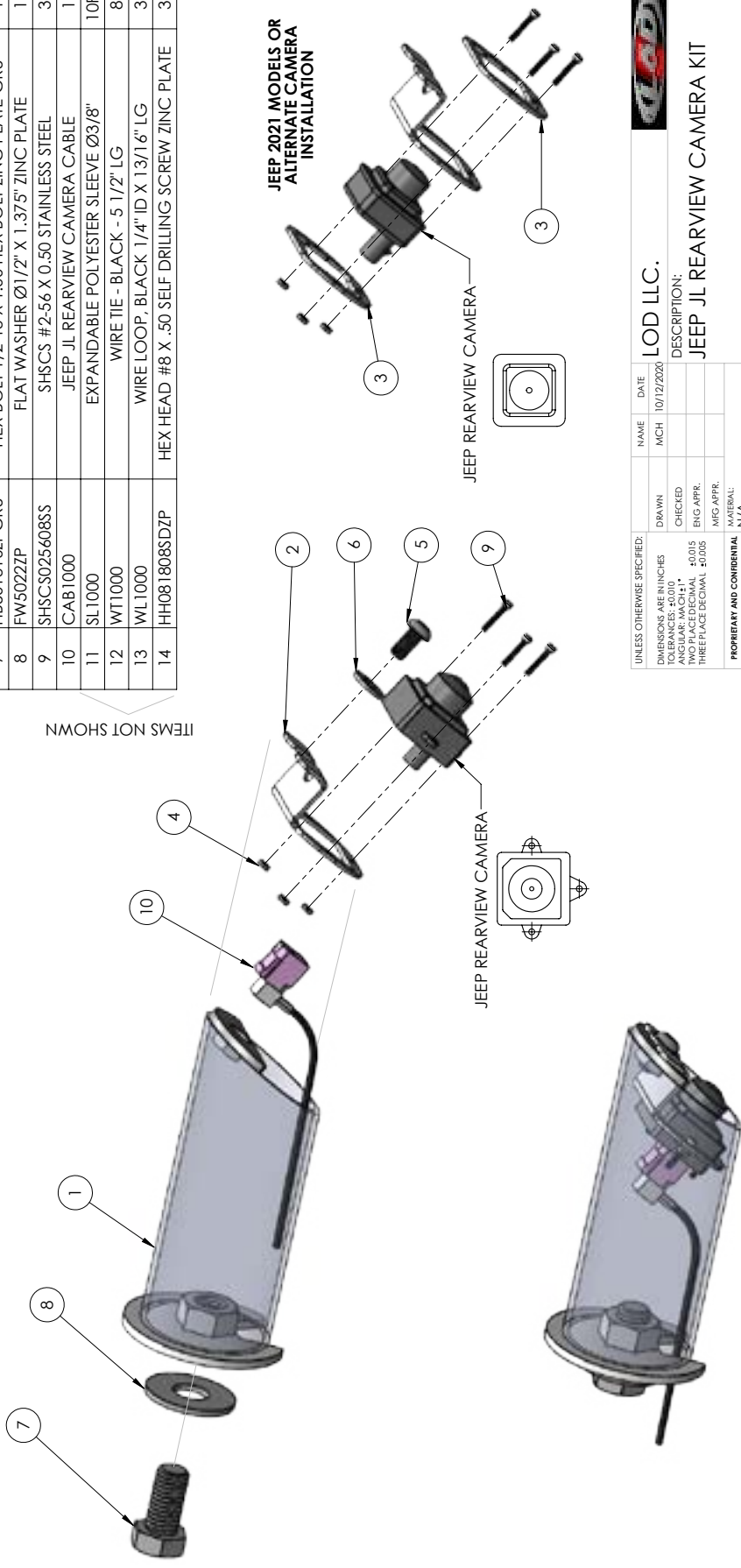


Tie up the old camera wire inside the door plate as shown. If you are running a third brake light, run it through the indicated hole. If not, also tie it up.

ITEM NO.	PART NUMBER	DESCRIPTION	QTY.
1	4JRC1801-01	CAMERA TUBE WELDMENT	1
2	2JRC1801-04	CAMERA MOUNT CLIP	1
3	2JRC1801-05	CAMERA CLAMP PLATE	2

**HARDWARE**

ITEM NO.	PART NUMBER	DESCRIPTION	QTY.
4	HN0256SS	HEX NUT 02-56 STAINLESS STEEL	3
5	BHSCS252008SS	BHSCS 1/4-20 X 0.50 STAINLESS STEEL	1
6	FW1209ZP	FLAT WASHER #12 X .56" ZINC PLATED	1
7	HB501316ZPGR5	HEX BOLT 1/2-13 X 1.00 HEX BOLT ZINC PLATE GR5	1
8	FW5022ZP	FLAT WASHER Ø1/2" X 1.375" ZINC PLATE	1
9	SHSC5025608SS	SHSCS #2-56 X 0.50 STAINLESS STEEL	3
10	CAB1000	JEEP JL REARVIEW CAMERA CABLE	1
11	SL1000	EXPANDABLE POLYESTER SLEEVE Ø3/8"	10FT
12	WT1000	WIRE TIE - BLACK - 5 1/2" LG	8
13	WL1000	WIRE LOOP, BLACK 1/4" ID X 13/16" LG	3
14	HH081808SDZP	HEX HEAD #8 X .50 SELF DRILLING SCREW ZINC PLATE	3



UNLESS OTHERWISE SPECIFIED:	NAME	DATE
DIMENSIONS ARE IN INCHES	MCH	10/12/2020
TOLERANCES: ±0.010	DRAWN	
ANGULAR: MACH 1°	CHECKED	
PLACEMENT: ±0.015	ENG APPR.	
THREE PLACE DECIMAL	MFG APPR.	

PROPRIETARY AND CONFIDENTIAL	MATERIAL:
THE INFORMATION CONTAINED IN THIS DRAWING IS THE PROPERTY OF LOD LLC. ANY REPRODUCTION IN PART OR AS A WHOLE WITHOUT THE WRITTEN PERMISSION OF LOD LLC IS PROHIBITED.	N/A

LOD LLC
DESCRIPTION: JEEP JL REARVIEW CAMERA KIT
DWG. NO. JRC1801
SCALE: 1:1.5
SHEET SIZE: B
REV B
SHEET 1 OF 1



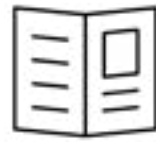
**JL Jeep  
DESTROYER SERIES**

Rear View Camera Kit

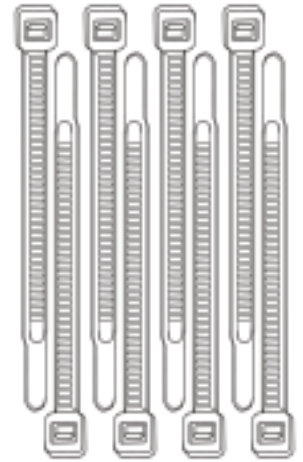
SHIPPING SHEET

Packaged by:

On:  
\_\_\_\_\_



INSTRUCTION SHEET



WIRE TIE 5.5" BLACK  
WT1000  
**(x8)**



CAMERA MOUNT CLIP  
2JRC1801-04  
**(x1)**



BOLT KIT



CAMERA CLAMP PLATE  
2JRC1801-05  
**(x2)**



JEEP JL REARVIEW CAMERA  
CABLE  
CAB1000  
**(x1)**



CAMERA TUBE WELDMENT  
4JRC1801-01  
**(x1)**



EXPANDABLE POLYESTER  
SLEEVE 3/8"  
SL1000  
**(10ft)**





**JL Jeep  
DESTROYER SERIES**

Rear View Camera Kit

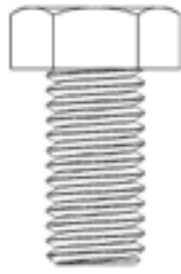
BOLT KIT

Packaged by:

\_\_\_\_\_

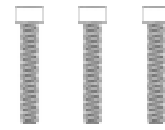
On:

\_\_\_\_\_



HEX BOLT 1/2-13 X 1.00"  
(0137543)

**(x1)**



SOCKET HEAD SCREW  
#2-56 X .50"  
(93024)

**(x3)**



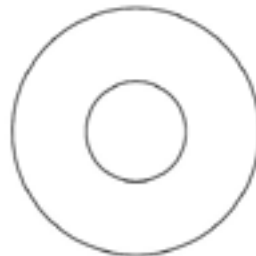
HEX NUT #2-56  
(36006)

**(x3)**



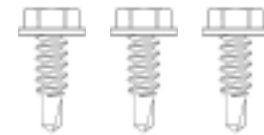
BUTTON HEAD  
SCREW 1/4-20 X .50"  
(94049)

**(x1)**



FLAT WASHER  
Ø1/2" X 1.375"  
(0159681)

**(x1)**



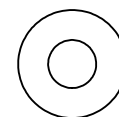
SELF TAPPING HEX  
HEAD SCREW  
#8 X .50"  
(31066)

**(x3)**



WIRE LOOP  
WL1000  
(0774300)

**(x3)**



FLAT WASHER  
#12 X .56"  
(33076)

**(x1)**

