

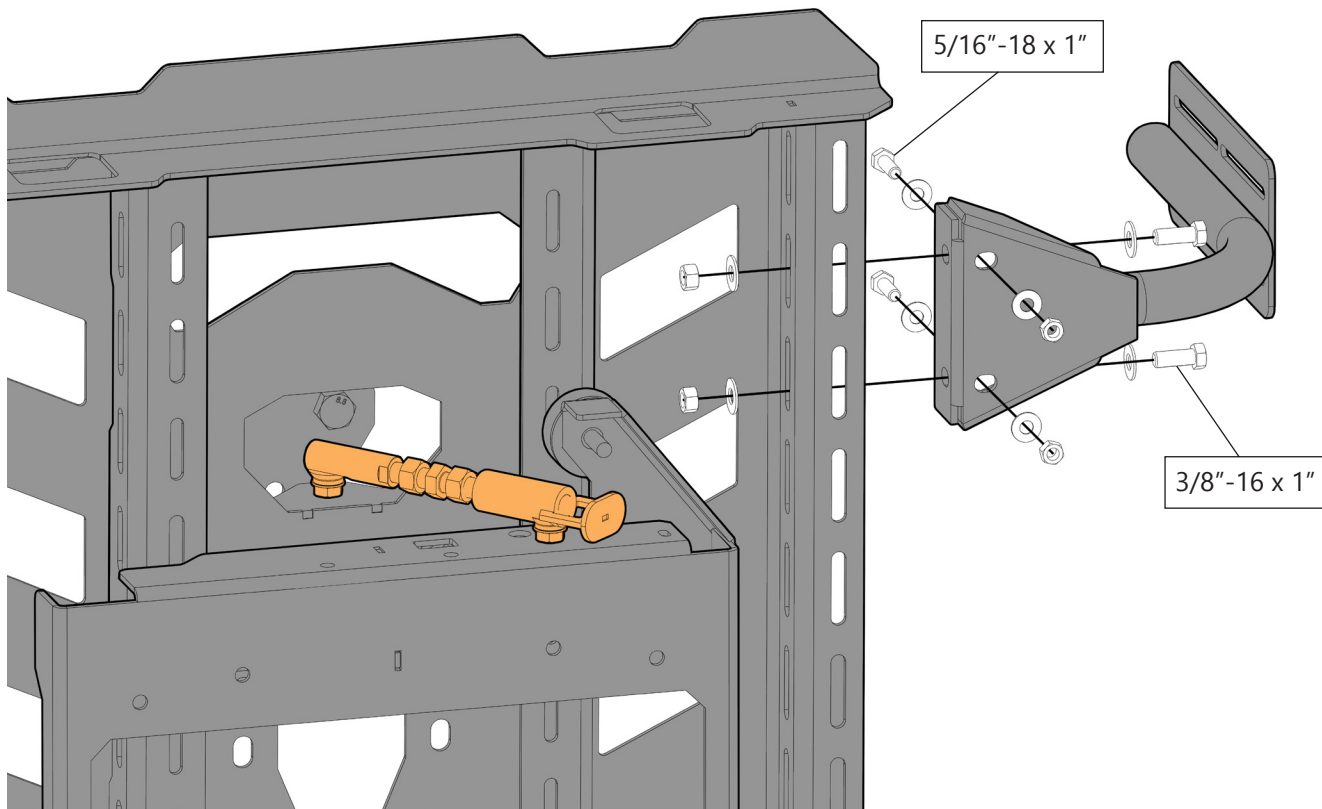



DESTROYER SERIES

JK	JL	POWER TANK MOUNT
-----------	-----------	------------------------

PLEASE READ THROUGH THE INSTRUCTIONS BEFORE BEGINNING ANY PART OF THE INSTALLATION PROCESS

WEB INSTALL LINK:
<http://lodoffroad.com/assets/pdfs/JPT0701.pdf>

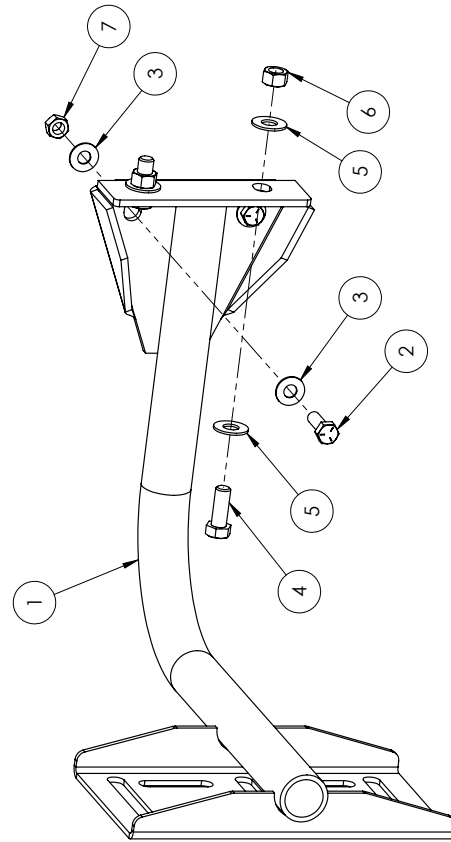


Attach the Power Tank arm as shown with the provided hardware

ITEM NO.	PART NUMBER	DESCRIPTION	QTY.
1	4JPT0700-01	POWER TANK MOUNT	1

HARDWARE KIT

ITEM NO.	PART NUMBER	DESCRIPTION	QTY.
2	HB311816ZPGR5	HEX BOLT 5/16-18 X 1.00 ZINC PLATE GR5	2
3	FW3112ZP	FLAT WASHER Ø5/16" X .75" ZINC PLATE	4
4	HB381616ZPGR5	HEX BOLT 3/8-16 X 1.00 ZINC PLATE GR5	2
5	FW3814ZP	FLAT WASHER Ø3/8" X .875 ZINC PLATE	4
6	HN3816ZPGR5	HEX NUT 3/8-16 ZINC PLATE GR5	2
7	HN3118ZPGR5	HEX NUT 5/16-18 ZINC PLATE GR5	2



NOTES:

1. JPT0700 = BARE STEEL OPTION
2. JPT0701 = BLACK POWDER COAT OPTION

UNLESS OTHERWISE SPECIFIED:		NAME	DATE
DIMENSIONS ARE IN INCHES	DRAWN	MCH	6/6/18
TOLERANCES: ±0.010	CHECKED		
±0.005	ENG APPR.		
TWO PLACE DECIMAL	MFG APPR.		
THREE PLACE DECIMAL			
PROPRIETARY AND CONFIDENTIAL		MATERIAL: N/A	
THE INFORMATION CONTAINED IN THIS DRAWING IS THE SOLE PROPERTY OF LOD LLC. REPRODUCTION IN PART OR AS A WHOLE WITHOUT THE WRITTEN PERMISSION OF LOD LLC IS PROHIBITED.		FINISH: SEE NOTES	
LOD LLC. DESTROYER POWER TANK MOUNT		DWG. NO. JPT0700	
		REV JPT0701	
		SCALE: 1:3	
		SHEET SIZE: B	
		SHEET 1 OF 1	

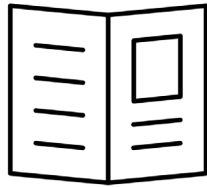




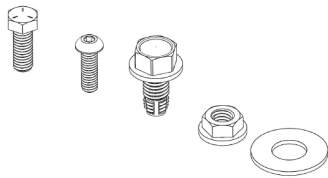
JK/JL Jeep
DESTROYER SERIES
Power Tank Mount
SHIPPING SHEET

Packaged by:

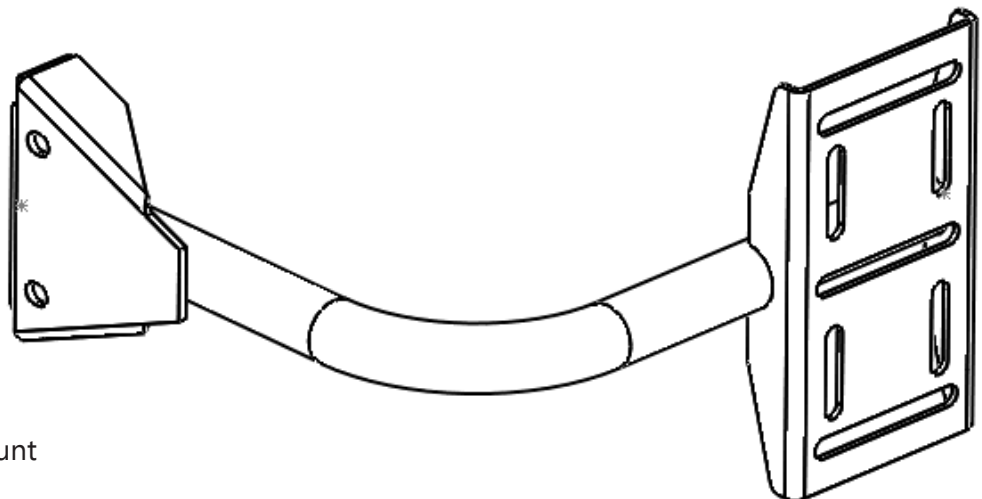
On:



Instruction
Booklet



BOLT KIT
(may vary)



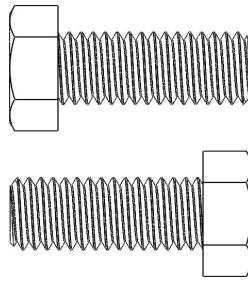
Power Tank Mount
4JPT0700-01
(x1)



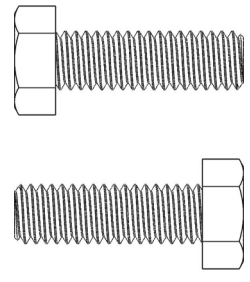
JK/JL Jeep
DESTROYER SERIES
Power Tank Mount
Bolt Kit

Packaged by:

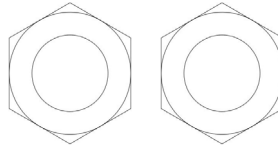
On:



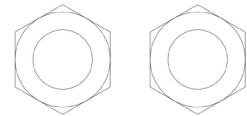
Hex Bolt
3/8\"-16 x 1\"
(x2)



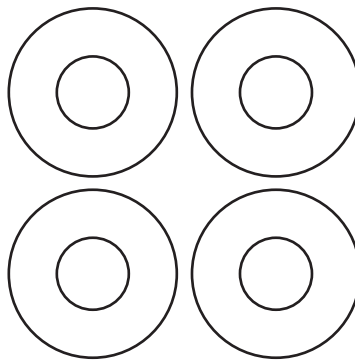
Hex Bolt
5/16\"-18 x 1\"
(x2)



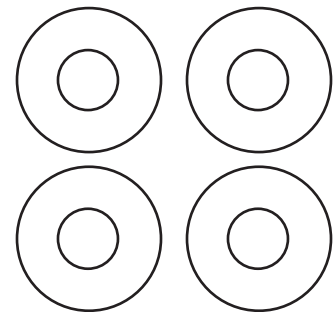
Hex Nut
3/8\"-16
(x2)



Hex Nut
5/16\"-18
(x2)



Flat Washer
3/8\" x 0.875\"
(x4)



Flat Washer
5/16\" x 0.75\"
(x4)

