



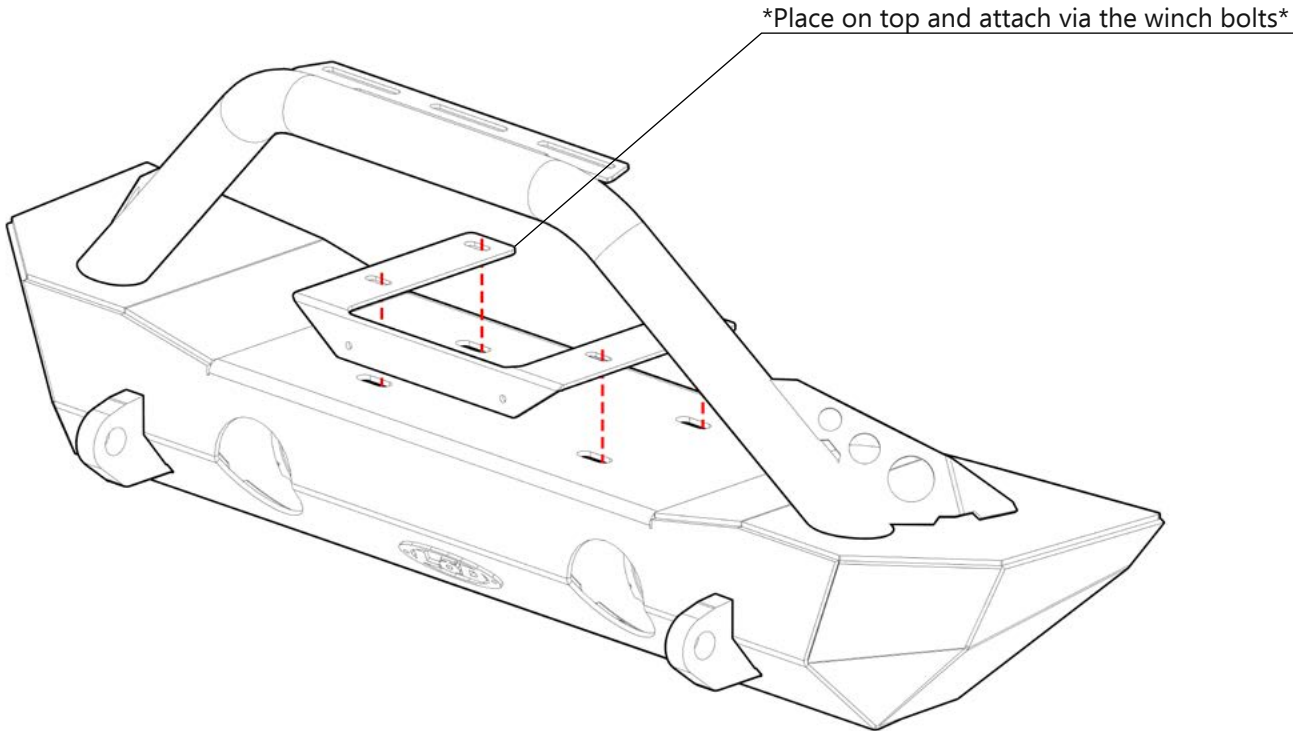
DESTROYER SERIES

JK

JL

FRONT
LICENSE PLATE
MOUNT

PLEASE READ THROUGH THE INSTRUCTIONS BEFORE BEGINNING ANY PART OF THE INSTALLATION PROCESS



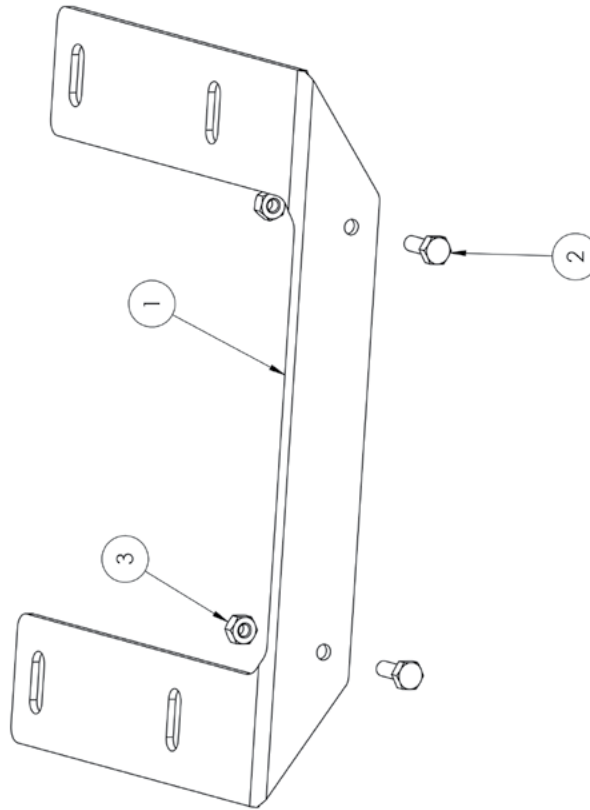
JLP0701

Fabricated Part

ITEM NO.	PART NUMBER	DESCRIPTION	QTY.
1	2JFB2001-39	License Plate Mount	1

Hardware kit

ITEM NO.	PART NUMBER	DESCRIPTION	QTY.
2	HBOLT 0.2500-20X0.75X0.75-N	1/4-20 Hex Bolt 3/4 lg.	2
3	HNUT 0.2500-20-D-N	1/4-20 Hex Nut	2

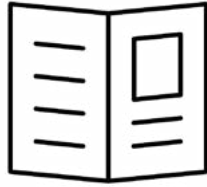




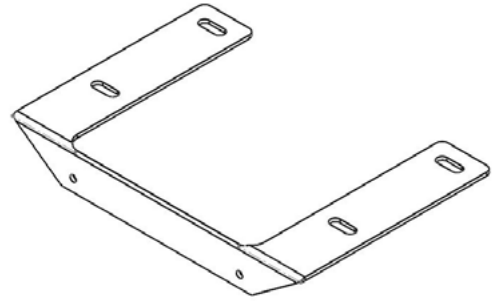
JK/JL Jeep
DESTROYER SERIES
Front License Plate Mount
SHIPPING SHEET

Packaged by:

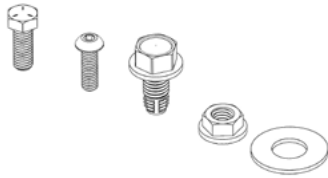
On:



Instruction
Booklet



License Plate Mount
(x1)



BOLT KIT
(may vary)

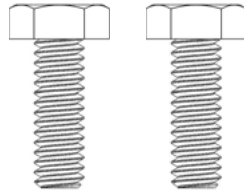




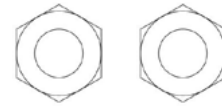
JK/JL Jeep
DESTROYER SERIES
Front License Plate Mount

Bolt Kit
Packaged by:

On:



Hex Bolt
1/4"-20 x 0.75"
(x2)



Hex Nut
1/4"-20"
(x2)

