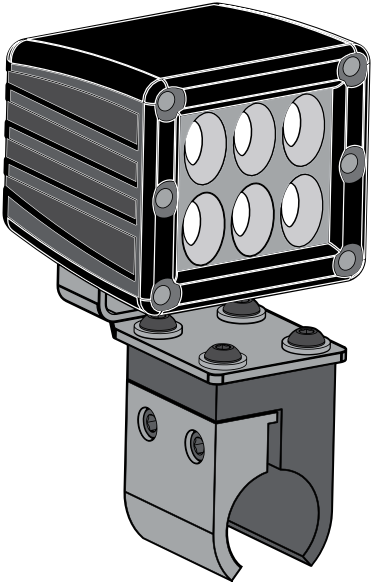
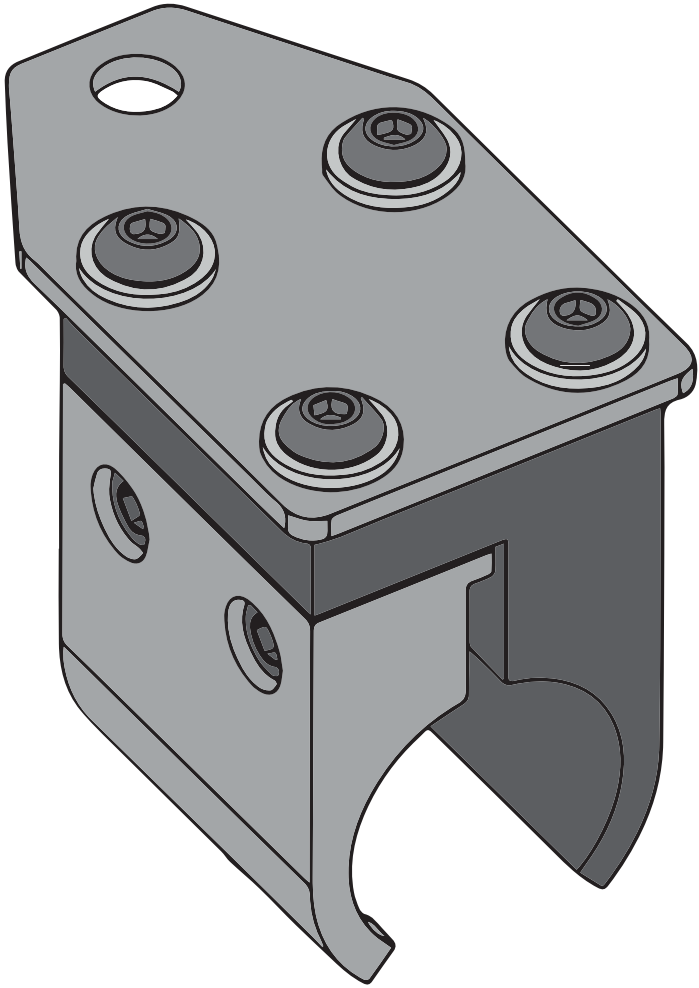


LIGHT NOT INCLUDED



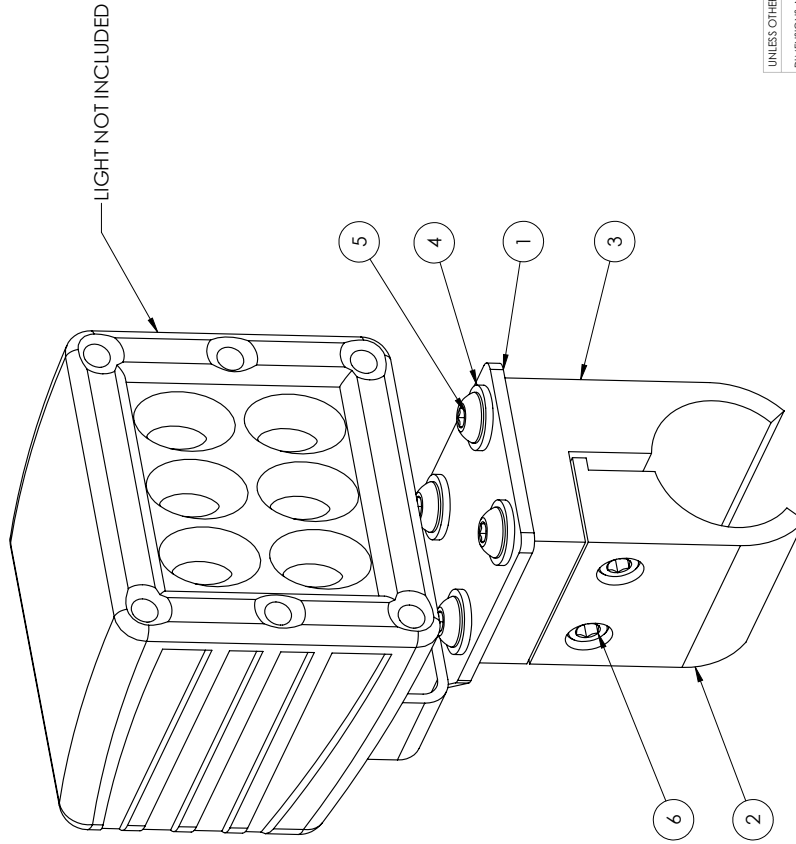
WEB LINK: <http://lodoffroad.com/assets/pdfs/JLM0792 RIGID DULLAY D SERIES LIGHT MOUNT.pdf>

VERIFY YOU HAVE ALL THE COMPONENTS BEFORE STARTING THE INSTALLATION. REFER TO THE ENGINEERING DRAWINGS AT THE END OF THIS DOCUMENT FOR A COMPLETE PARTS LIST



Assemble as shown using the provided hardware

ITEM NO.	PART NUMBER	DESCRIPTION	QTY.
1	2JLM0792-01	DUALLY D SERIES BASE PLATE	1
2	2JRR0704-76	BAR CLAMP TOP	1
3	2JRR0704-75	BAR CLAMP BOTTOM	1
4	FW1209ZP	FLAT WASHER #12 X .56" ZINC PLATED	4
5	BHSCS252008ZP	BHSCS 1/4-20 X 0.50 ZINC PLATE	4
6	SHSCS252020CZ	SHSCS 1/4-20 X 1.25 ZINC PLATE	2



UNLESS OTHERWISE SPECIFIED:		NAME	DATE
DIMENSIONS ARE IN INCHES	DRAWN	MCH	7/1/2019
TOLERANCES: ±0.010	CHECKED		
ONE PLACE DECIMAL	ENG APPR.		
TWO PLACE DECIMAL	MFG APPR.		
THREE PLACE DECIMAL	MATERIAL:		
	FINISH:		
	BLACK POWDER COAT		
	ECCO:		
	PERMANENTLY MARKED		
	PROHIBITED		

LOD LLC.

DESCRIPTION:
RIGID DUALLY D SERIES LIGHT MOUNT

DWG. NO.
JLM0792

SCALE: 1:1

SHEET SIZE: B

REV
A

SHEET 1 OF 1

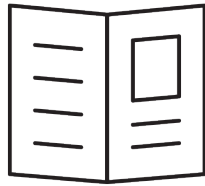




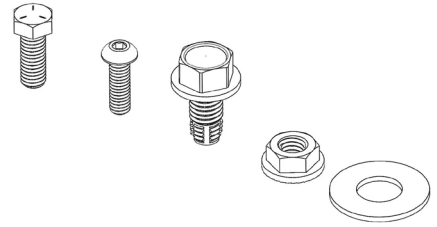
**JK/JL Jeep
DESTROYER SERIES
ROOF RACK
RIGID DUALLY D SERIES
LIGHT MOUNT
SHIPPING SHEET**

Packaged by:

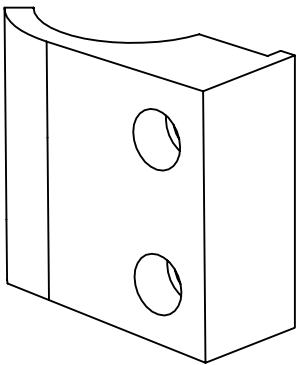
On: _____



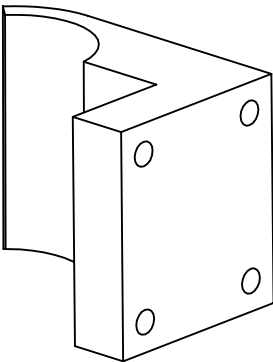
Instruction
Booklet



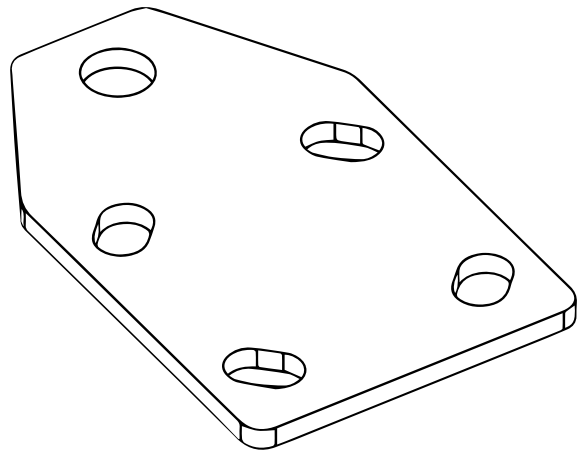
BOLT KIT
(may vary)



BAR CLAMP TOP
2JRR0704-76
(x1)



BAR CLAMP BOTTOM
2JRR0704-75
(x1)



DUALLY D SERIES BASE PLATE
2JLM0792-01
(x1)

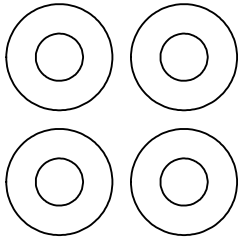




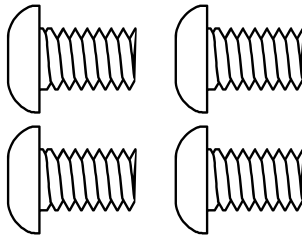
JK/JL Jeep
DESTROYER SERIES
ROOF RACK
RIGID DUALY D SERIES
LIGHT MOUNT
BOLT KIT

Packaged by:

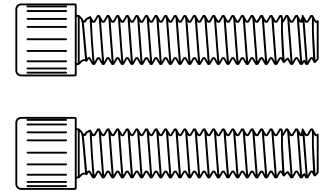
On:



FLAT WASHER
#12 x .56"
(x4)



BUTTON HEAD
1/4-20 X 0.50"
(x4)



SOCKET HEAD SCREW
1/4-20 X 1.25"
(x2)

