



BLACK-OPS SERIES

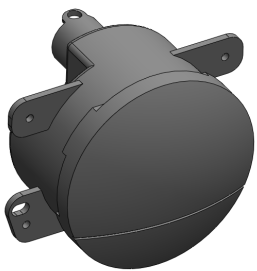
JEEP JL/JT

**BLACK OPS OEM FOG LIGHT
KIT**

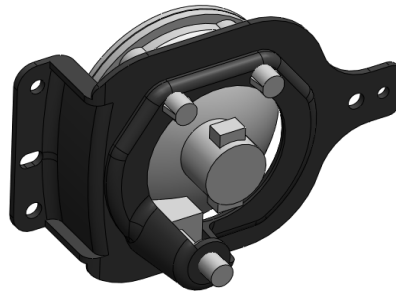
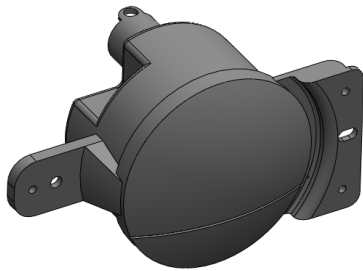


VERIFY YOU HAVE ALL THE COMPONENTS BEFORE STARTING THE INSTALLATION. REFER TO THE ENGINEERING DRAWINGS AT THE END OF THIS DOCUMENT FOR A COMPLETE PARTS LIST

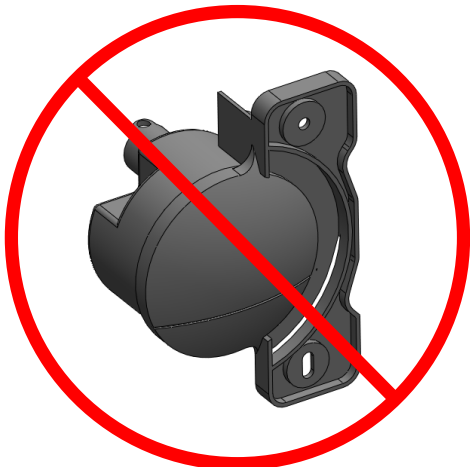
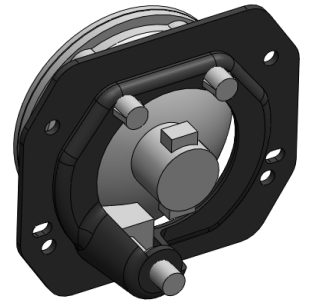
*****This kit will work with the Jeep Wrangler JL and JT stock fog lights shown below. If your fog light is not shown here, please call LOD Offroad to confirm fit.*****



LED FOG LIGHTS

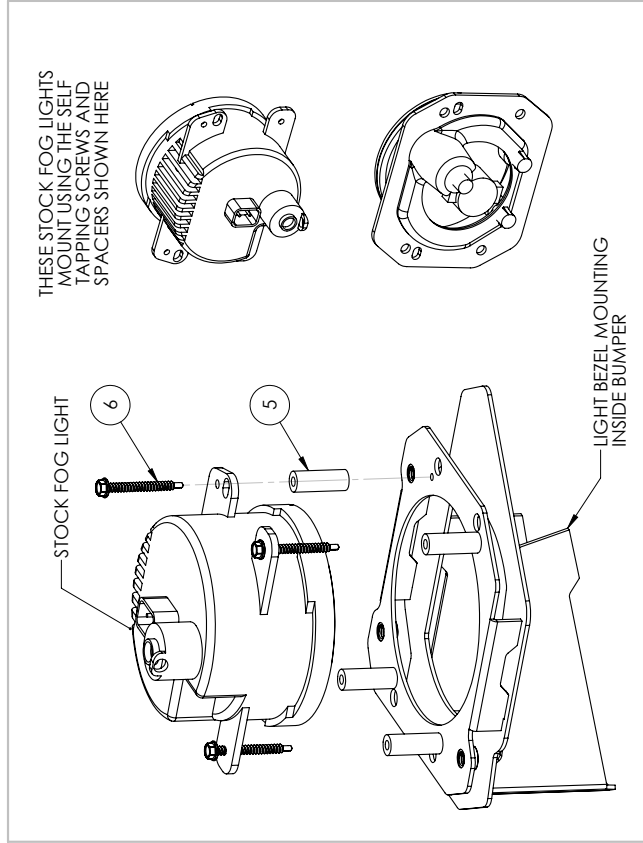
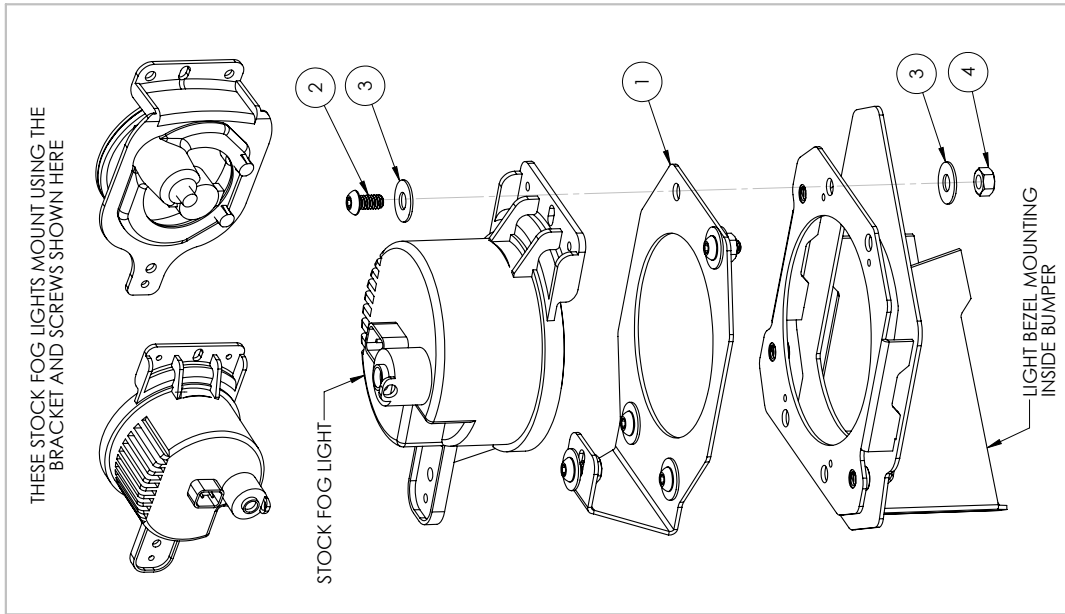


HALOGEN FOG LIGHTS



*****This LED Fog Light from the Jeep Wrangler JL or JT steel front bumpers will not fit the Black Ops Front Bumper*****

ITEM NO.	PART NUMBER	DESCRIPTION	QTY.
1	2JL1800-03	JEEP JL/JT 2020+ FOG LIGHT BRACKET	2
2	BHSCS252008ZP	BHSCS 1/4-20 X 0.50 ZINC PLATE	10
3	FW251ZP	FLAT WASHER Ø1/4" X .75 ZINC PLATE	20
4	HN2520ZPGR5	HEX NUT 1/4-20 ZINC PLATED GR5	10
5	SP1000	SPACER, #8 X .375 X 1.00 LG., NYLON	8
6	HH0818245DZP	HEX HEAD #8 X 1.50 SELF DRILLING SCREW ZINC PLATE	8



UNLESS OTHERWISE SPECIFIED:		NAME	DATE
DIMENSIONS ARE IN INCHES		MCH	10/4/2022
TOLERANCES: ±0.010	DRAWN		
ANGULAR: MACH 1°	CHECKED		
FINISH: AS FURNISHED	ENG APPR.		
THREADS PER INCH: 20 UNF	MFG APPR.		
THREE PLACE DECIMAL ±0.005	MATERIAL:		
	N/A		
PROPRIETARY AND CONFIDENTIAL			
THE INFORMATION CONTAINED IN THIS DRAWING IS THE PROPERTY OF LOD LLC. ANY REPRODUCTION IN PART OR AS A WHOLE WITHOUT THE WRITTEN PERMISSION OF LOD LLC IS PROHIBITED.			
LOD LLC.		DESCRIPTION:	
JFL1880		JEEP FOG LIGHT BEZEL KIT	
JFL1881		DWG. NO.	
REV B		REV	

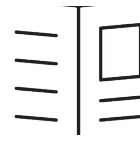
- NOTES:**
- JFL1880 = BARE STEEL
OPTION
JFL1881 = BLACK POWDER
COAT
 - ADDED SPACERS AND SCREWS FOR ADDITIONAL LIGHT



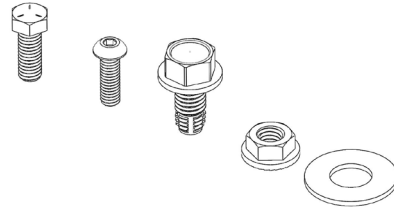
BLACK-OPS SERIES

JEEP JL/JT

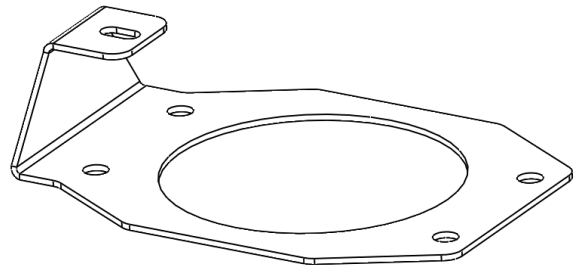
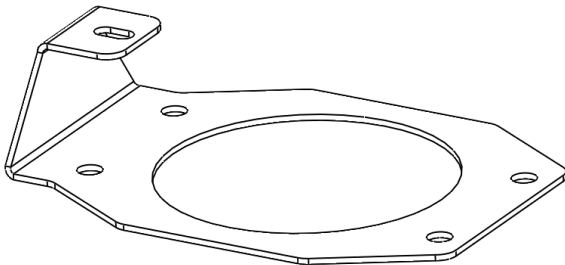
BLACK OPS OEM FOG LIGHT
KIT



INSTRUCTION
SHEET



BOLT KIT



JEEP JL/JT FOG LIGHT BRACKET

2JLB1800-03

(x2)

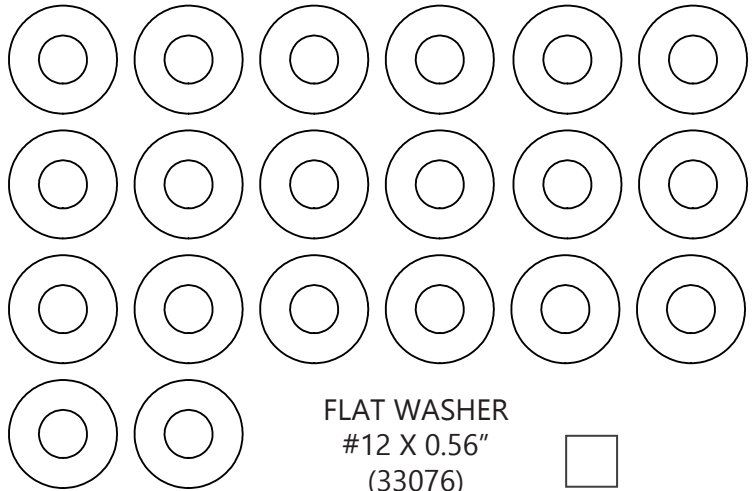




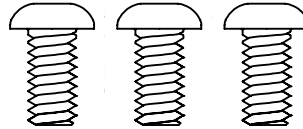
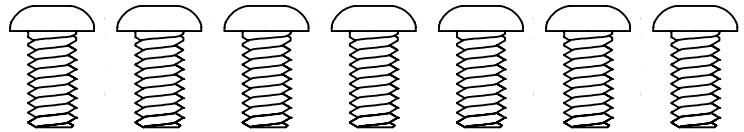
JEEP
BLACK-OPS SERIES
 JEEP JL/JT FOG LIGHT KIT
 Bolt Kit

Packaged by:

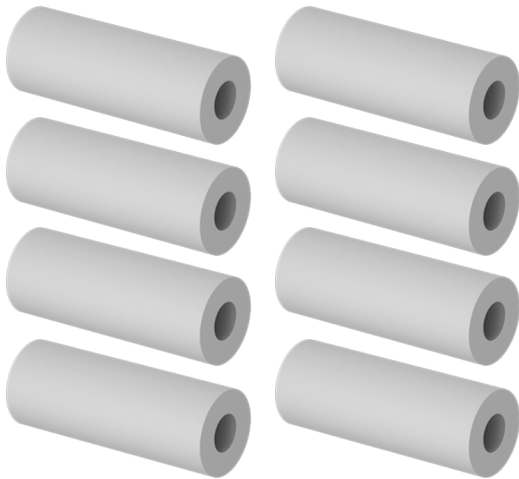
On:



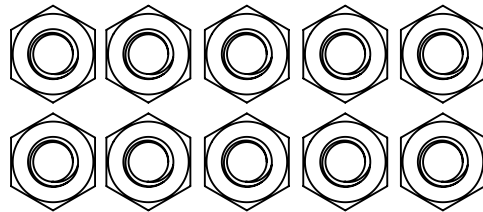
FLAT WASHER
 #12 X 0.56"
 (33076)
(x20)



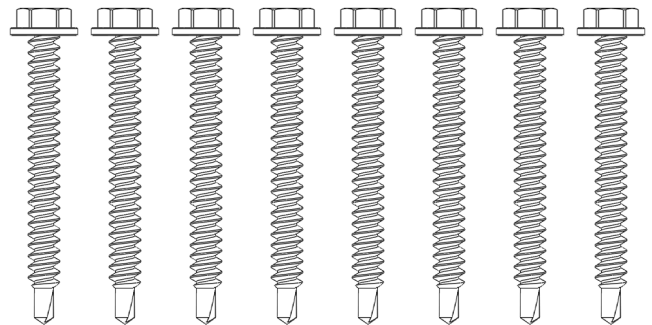
BUTTON HEAD SCREW
 1/4-20 X 0.50"
 (94049)
(x8)



SPACER, #8 X .375 X 1.00 LG
 (94639A406)
(x8)



HEX NUT 1/4-20
 (36302)
(x8)



HEX HEAD #8 X 1.50" LG
 SELF DRILLING SCREW
 (31808)
(x8)

