



**SIGNATURE
SERIES
SKIDPLATE**
SHORTY + MID/FULLWIDTH

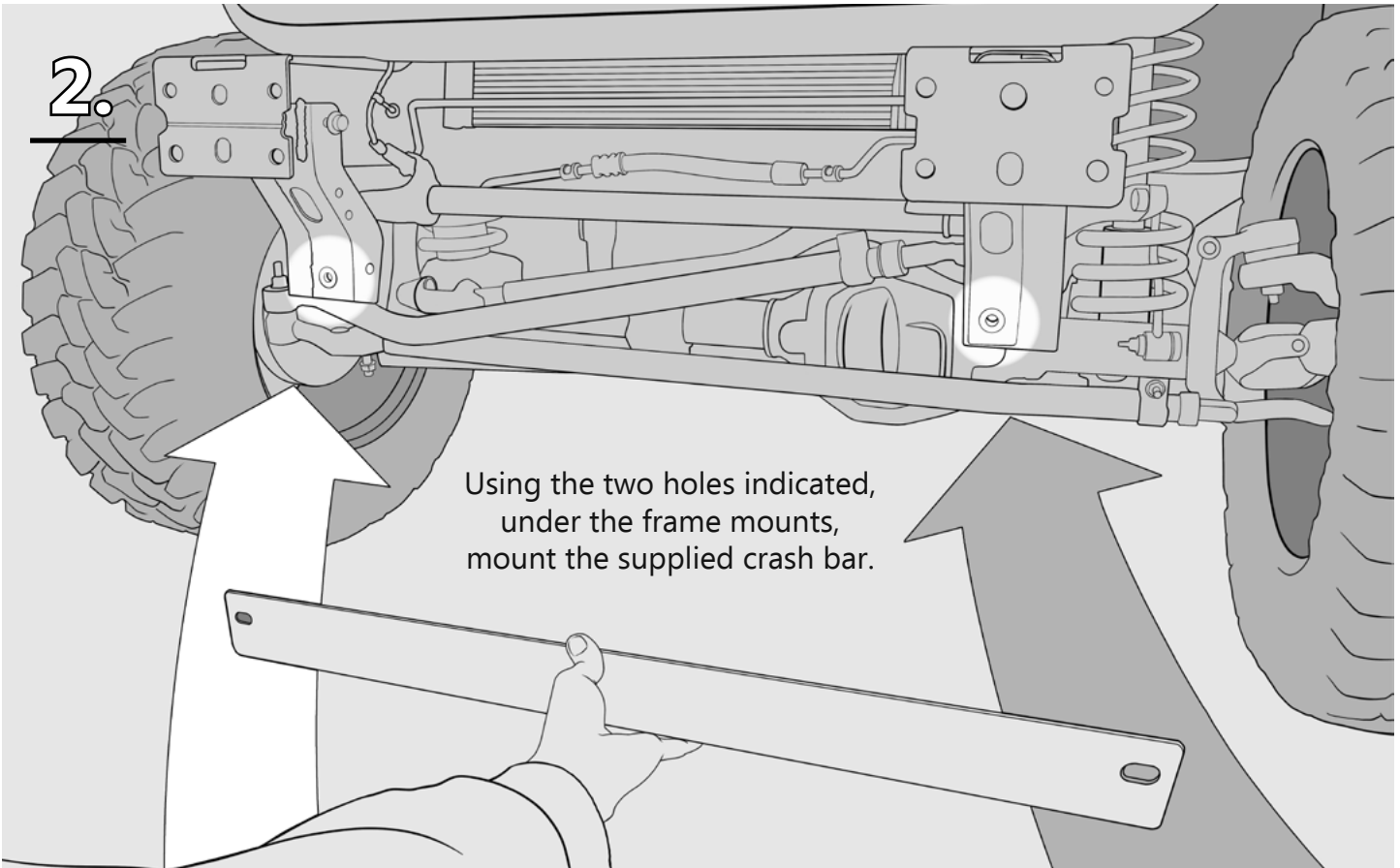


1.

First remove the crash bar, there are two bolts holding it on.

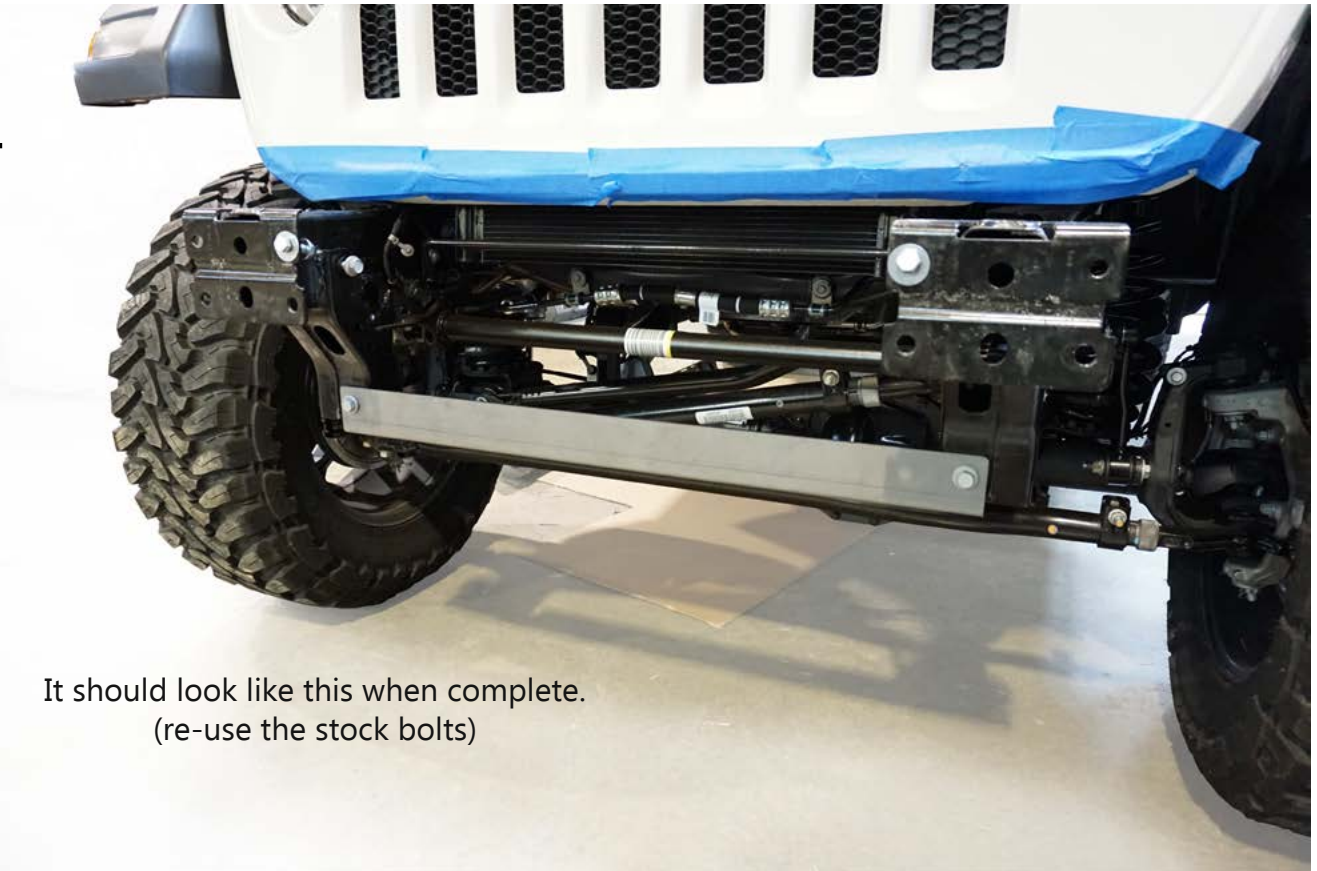
After the bolts are removed, you will shift the crash bar slightly up, then pull towards you to remove the tabs out of the opening.

2.



Using the two holes indicated,
under the frame mounts,
mount the supplied crash bar.

3.



It should look like this when complete.
(re-use the stock bolts)

4.

HOLD UP THE SKID PLATE TO THE BOTTOM OF THE BUMPER AND SECURE IT IN PLACE USING THE BOLTS AND WASHERS PROVIDED. YOU WILL NEED A 9/16" SOCKET FOR THE JOB.



5.

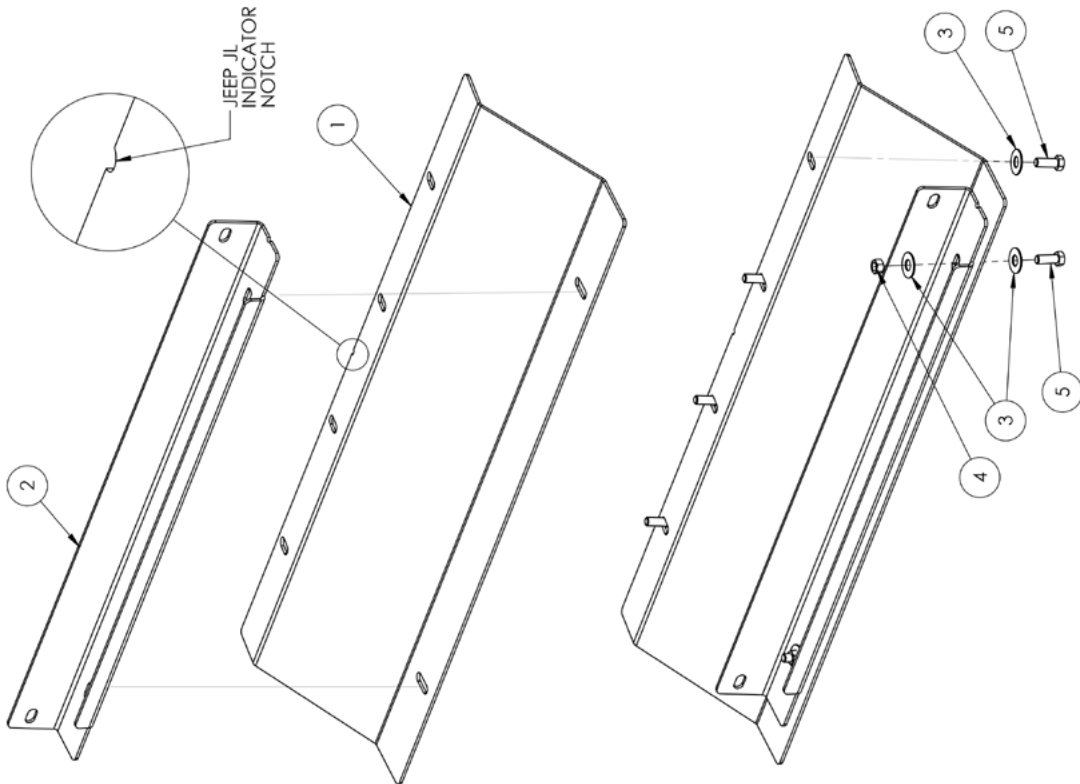
SECURE THE SKIDPLATE TO THE LOWER CROSS MEMBER OF YOUR JL JEEP USING THE BOLTS AND WASHERS PROVIDED. YOU WILL NEED A 9/16" SOCKET FOR THIS JOB.



ITEM NO.	PART NUMBER	FINISH	DESCRIPTION	QTY.
1	2JSP1840-01	BS/BP	SIGNATURE MID/FULL WIDTH SKID PLATE	1
2	2JSP1800-03		CROSS MEMBER	1

HARDWARE

ITEM NO.	PART NUMBER	FINISH	DESCRIPTION	QTY.
3	FW4318ZP		FLAT WASHER Ø7/16 X 1.25" ZINC PLATED	8
4	HN3816ZPGR5		HEX NUT 3/8-16 ZINC PLATE GR5	2
5	HB381616ZPGR5		HEX BOLT 3/8-16 X 1.00 ZINC PLATE GR5	6



NOTE:

1. JSP1840 = BARE STEEL OPTION
2. JSP1841 = BLACK POWDER COAT OPTION

SIGNATURE SERIES MID/FULL WIDTH
BOLT ON SKID PLATE
JSP1840
JSP1841



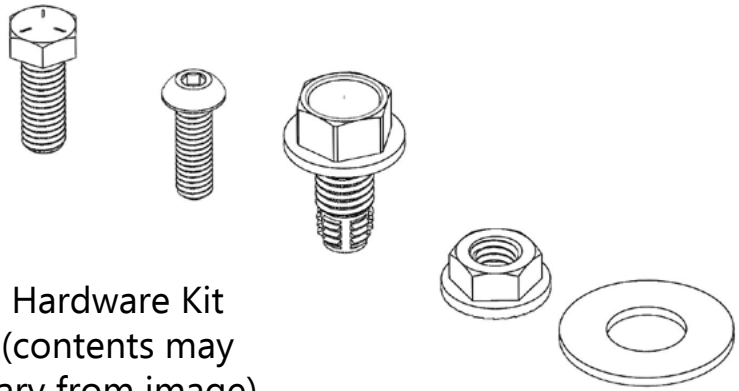
**JL Jeep
Signature Series**

Skid Plate

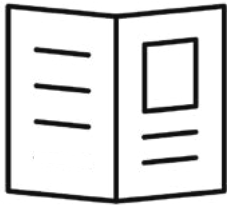
Packing Slip

Packaged by:

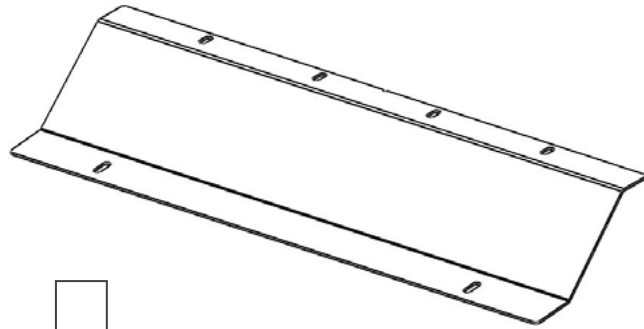
On:



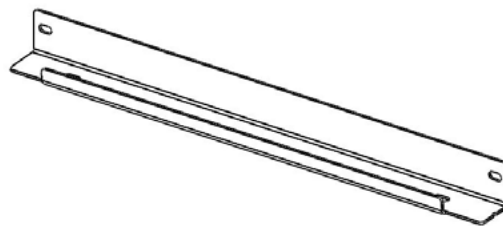
Hardware Kit
(contents may vary from image)



Install Instruction Booklet



Skidplate



Crossmember



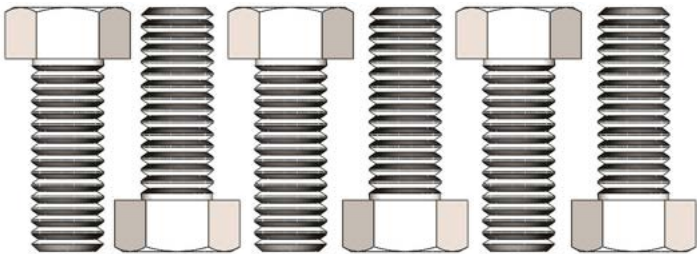
**JL Jeep
Signature Series**
Skid Plate
Hardware Sheet
Packaged by:

On:

*please check contents when opening/assembling package

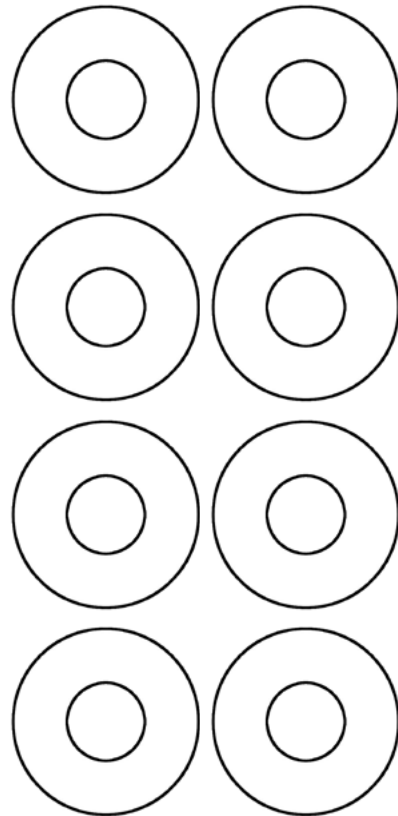
3/8"x1" Hex Head

(x6)



7/16" Washers

(x8)



3/8" Nuts

(x2)

