

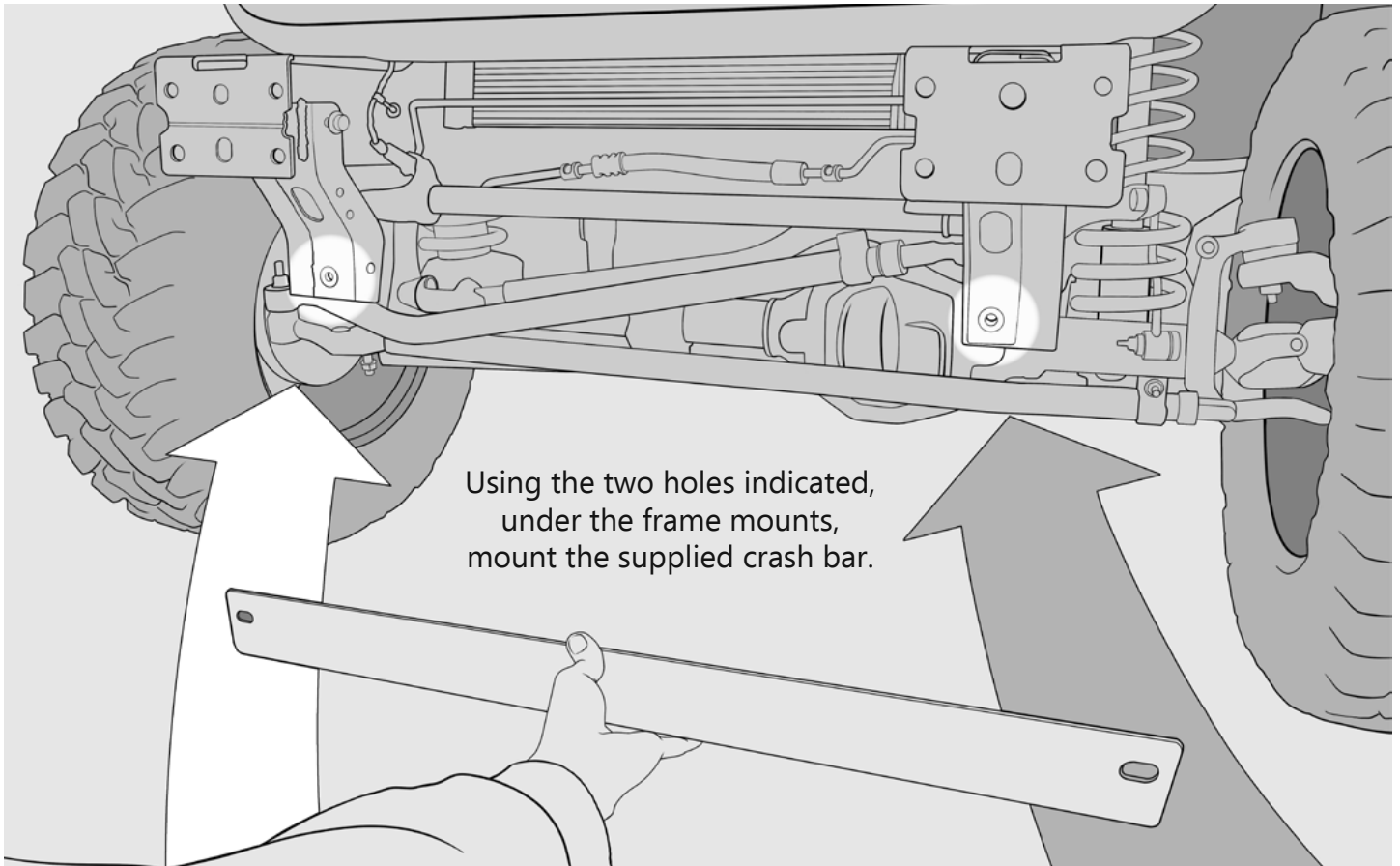


DESTROYER SERIES SKIDPLATE



First remove the crash bar, there are two bolts holding it on.

After the bolts are removed, you will shift the crash bar slightly up, then pull towards you to remove the tabs out of the opening.



It should look like this when complete.



STEP 1:

- USING THE FOUR (5/16") BUTTON HEAD BOLTS, LINE UP THE HOLES AND ATTACH THE CORNERS, THEN THE MIDDLE OF THE SKIDPLATE, FOR A TOTAL OF FOUR BOLTS.



STEP 2:

- ON THE BOTTOM, ATTACH THE TWO 3/8" BOLTS THE CRASH BAR IN ORDER TO FULLY SECURE THE SKIDPLATE.



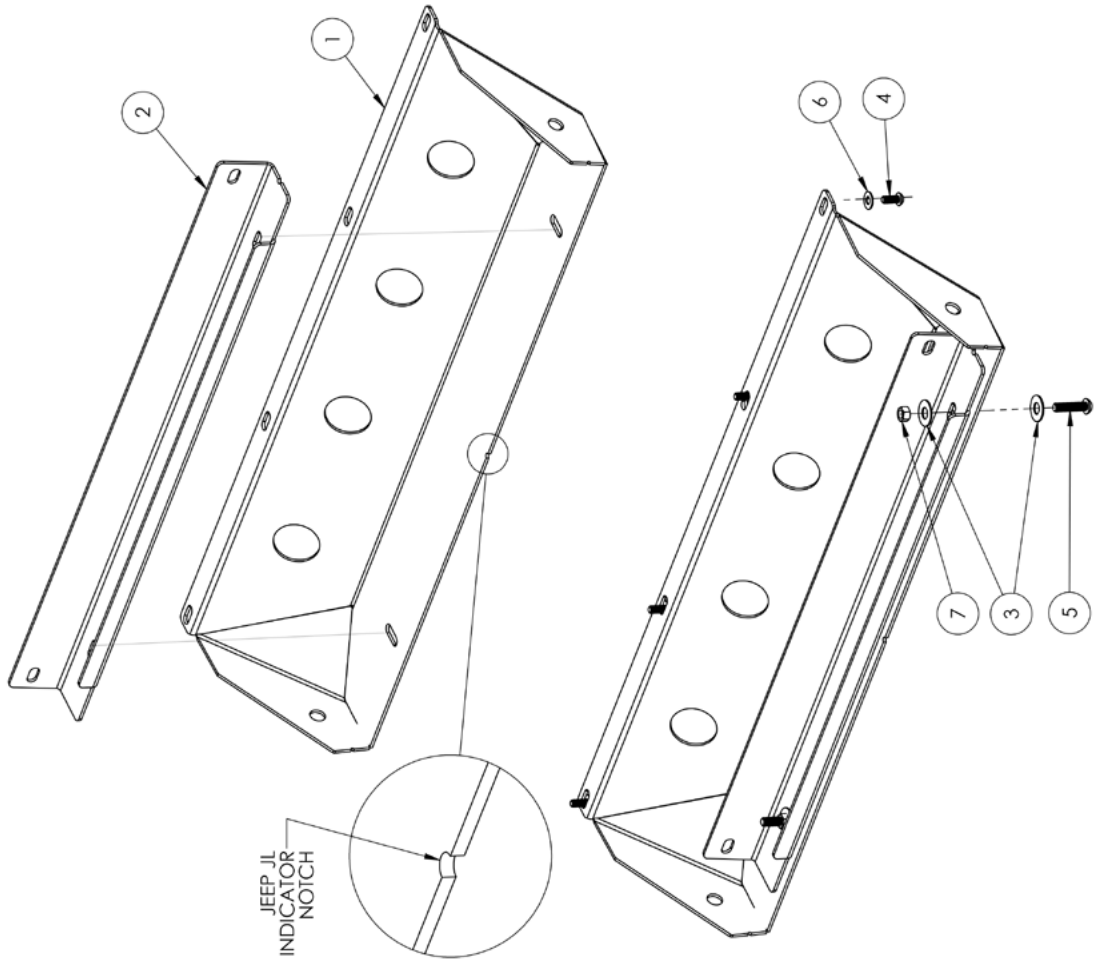
STEP 3:

- ONCE THE TWO BOTTOM (3/8") BOLTS WITH (7/16") WASHERS ARE ATTACHED, THE SKIDPLATE SHOULD BE FULLY SECURED.



STEP 4:

- THE SKIDPLATE IS NOW SECURED AND READY TO PROTECT YOUR JEEP!



ITEM NO.	PART NUMBER	FINISH	DESCRIPTION	QTY.
1	4JSP1800-01	BS / BP	DESTROYER SKID PLATE WELDMENT	1
2	2JSP1800-03	BS / BP	CROSS MEMBER	1

HARDWARE KIT

ITEM NO.	PART NUMBER	FINISH	DESCRIPTION	QTY.
3	FW4318ZP		FLAT WASHER Ø7/16 X 1.25" ZINC PLATED	4
4	BHSCS311812ZP		BHSCS 5/16-18 X .75 ZINC PLATE	4
5	BHSCS381624ZP		BHSCS 3/8-16 X 1.50 ZINC PLATE	2
6	FW3112ZP		FLAT WASHER Ø5/16" X .75" ZINC PLATE	4
7	HN3816ZPGR5		HEX NUT 3/8-16 ZINC PLATE GR5	2

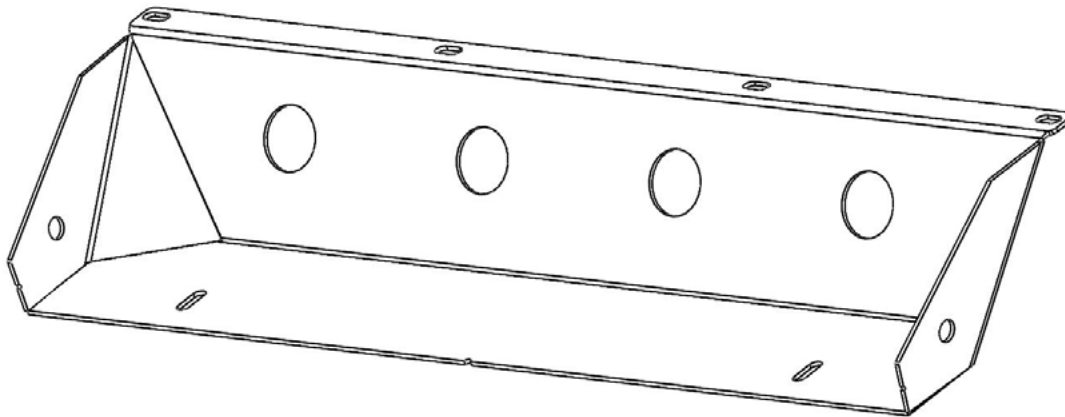
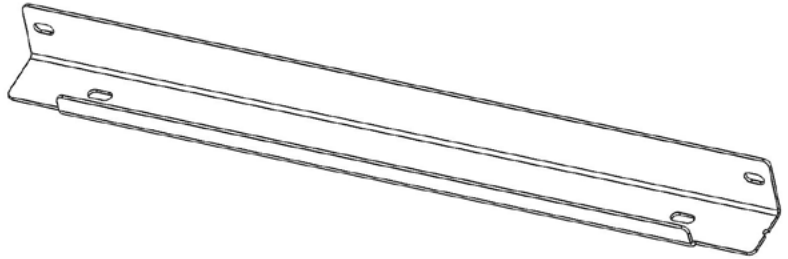
- NOTE:**
- JSP1800 = BARE STEEL OPTION
 - JSP1801 = BLACK POWDER COAT OPTION
- DESTROYER FRONT BUMPER SKID
PLATE
JSP1800
JSP1801



**JL Jeep
Destroyer Series**
Front Skidplate
Packing Slip
Packaged by:

On:

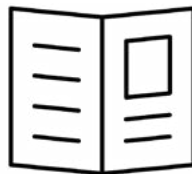
Crossmember



Skidplate



BOLTS KIT
(may vary)



Instructions

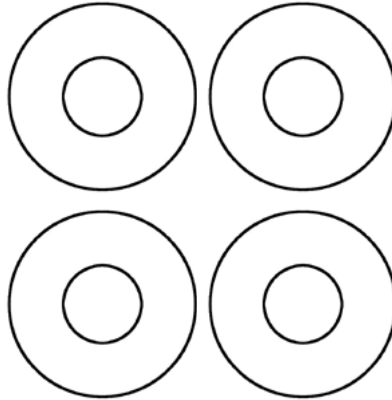




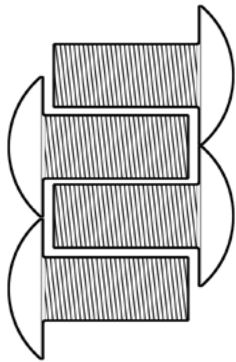
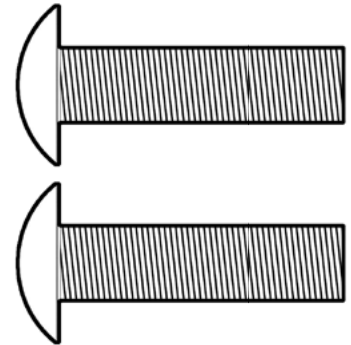
**JL Jeep
Destroyer Series
Front Skidplate
Hardware Sheet**
Packaged by:

On: _____

7/16" Washers
(x 4)



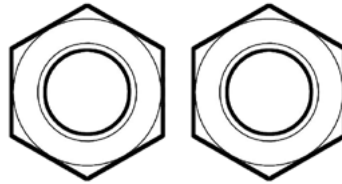
3/8"x1.5"
Buttonhead
Bolts
(x 2)



5/16"x0.75"
Buttonhead
Bolts
(x 4)



3/8"
Nuts
(x 2)



5/16"
Washers
(x 4)

