

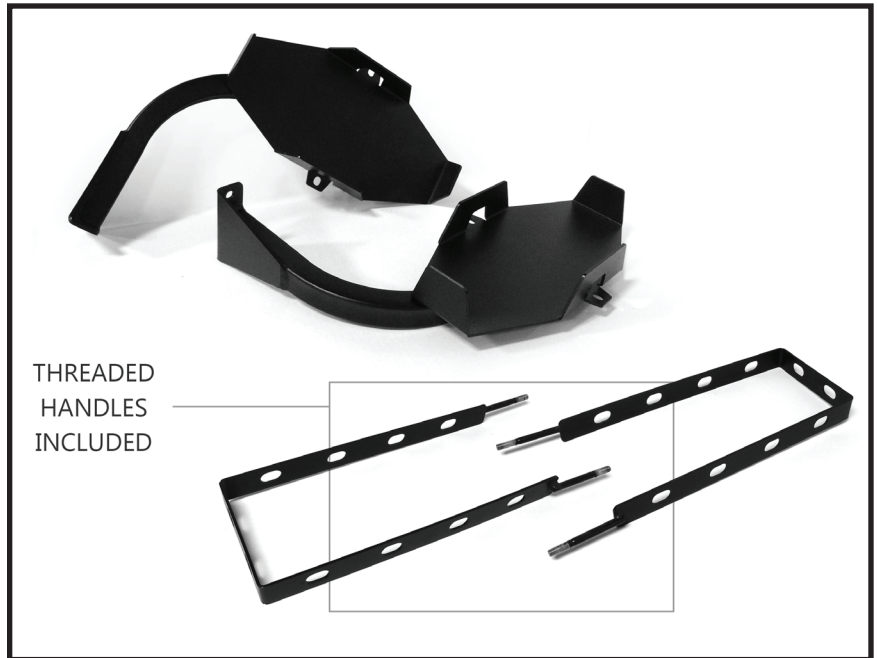


SIGNATURE SERIES

TJ

JERRY CAN MOUNTS

PLEASE READ THROUGH THE INSTRUCTIONS BEFORE BEGINNING ANY PART OF THE INSTALLATION PROCESS



THREADED HANDLES INCLUDED

WEB INSTALL LINK:

<http://lodoffroad.com/assets/pdfs/JJC9600.pdf>

ITEM NO.	PART NUMBER	DESCRIPTION	QTY.
1	4JJC9600-01	TJ G2 SIGNATURE JERRY CAN MOUNT DRIVER SIDE	1
2	4JJC9600-02	TJ G2 SIGNATURE JERRY CAN MOUNT PASSENGER SIDE	1
3	4JJC0700-02	JERRY CAN STRAP	2
4	HN3816ZPGR5	HEX NUT 3/8-16 ZINC PLATE GR5	4
5	FW3814ZP	FLAT WASHER Ø3/8" X .875 ZINC PLATE	8
6	HB381640ZPGR5	HEX BOLT 3/8-16 X 2.50 ZINC PLATE GR5	4
7	KN1000	PLASTIC KNOB 3/8-16 INTERNAL THREAD	4

NOTES:

- JJC9600 = BARE STEEL OPTION
- JJC9602 = BLACK POWDER COAT OPTION

UNLESS OTHERWISE SPECIFIED: DIMENSIONS ARE IN INCHES TOLERANCES: ±0.010 ANGULAR: MACH ±° TWO PLACE DECIMAL ±0.015 THREE PLACE DECIMAL ±0.005	NAME MCH	DATE 10/18/18	LOD LLC.
DRAWN CHECKED ENG APPR. MFG APPR.			DESCRIPTION: TJ G2 SIGNATURE JERRY CAN MOUNTS
PROPRIETARY AND CONFIDENTIAL THE INFORMATION CONTAINED IN THIS DRAWING IS THE SOLE PROPERTY OF LOD LLC. ANY REPRODUCTION IN PART OR AS A WHOLE WITHOUT THE WRITTEN PERMISSION OF LOD LLC IS PROHIBITED.	MATERIAL: N/A FINISH: SEE NOTES ECD:		DWG. NO. JJC9600
			SCALE: 1:4 SHEET SIZE: B SHEET 1 OF 1



TJ SIGNATURE SERIES

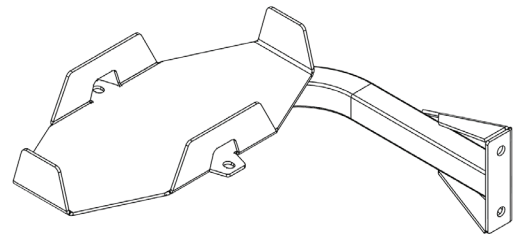
Jerry Can Mounts

SHIPPING SHEET

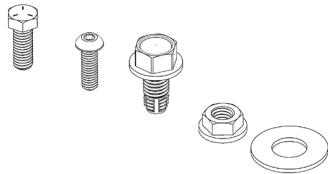
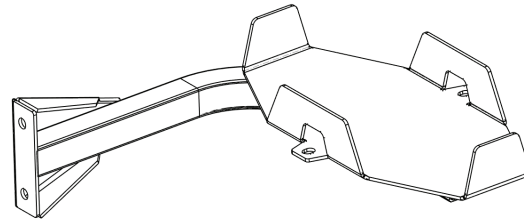
Packaged by:

On:

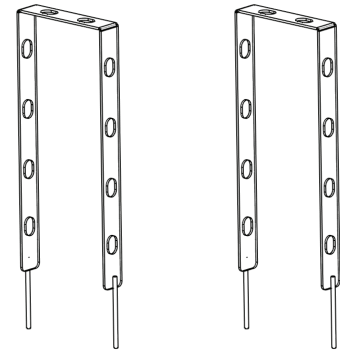
Jerry Can Mount
Driver
(x1)



Jerry Can Mount
Passenger
(x1)



BOLT KIT
(may vary)



Jerry Can Strap
(x2)





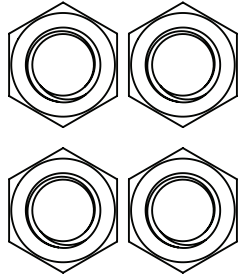
TJ SIGNATURE SERIES

Jerry Can Mounts

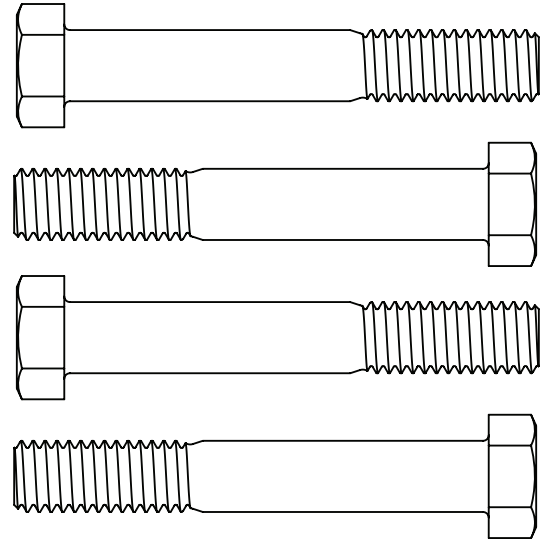
Bolt Kit

Packaged by:

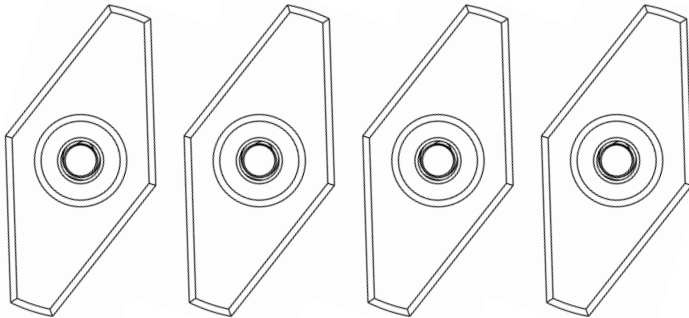
On:



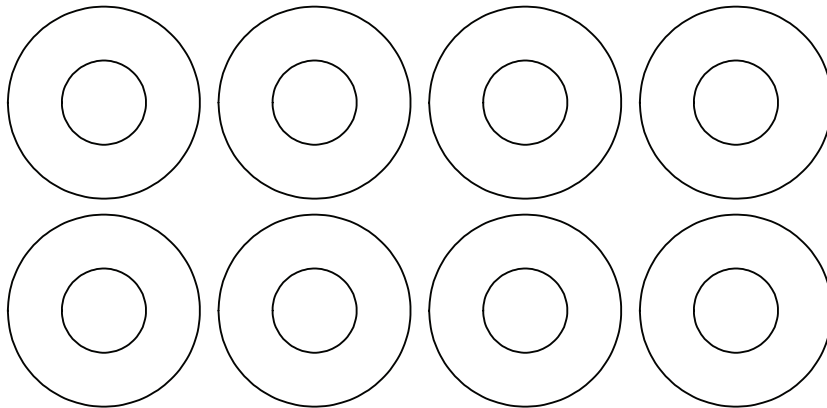
Hex Nut
3/8"-16
(x4)



Hex Bolt
3/8"-16 x 2.5"
(x4)



Plastic Knob
3/8"-16
(x4)



Flat Washer 3/8"
(x8)

