

DESTROYER SERIES

JK

JL

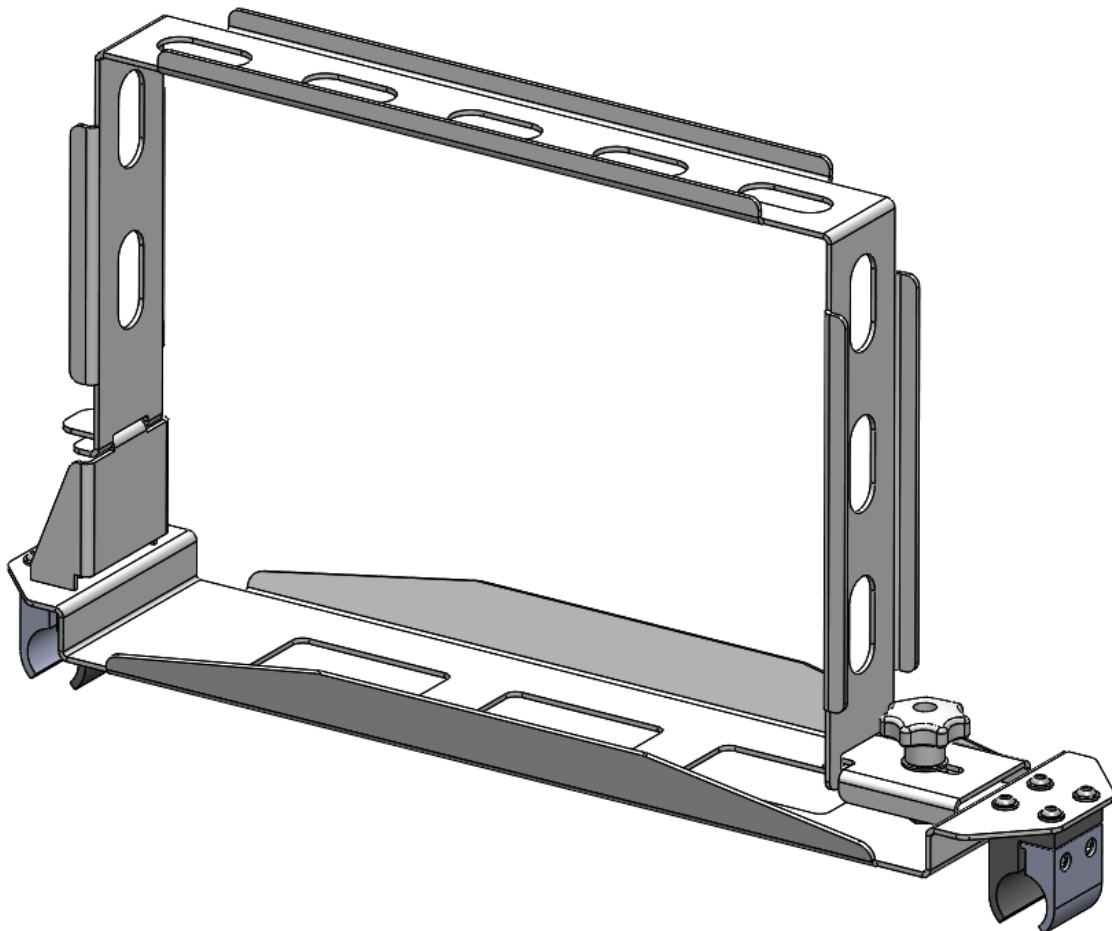
ROOF RACK
JERRY CAN MOUNT

***PLEASE READ THROUGH THE
INSTRUCTIONS BEFORE BEGINNING
ANY PART OF THE INSTALLATION
PROCESS***

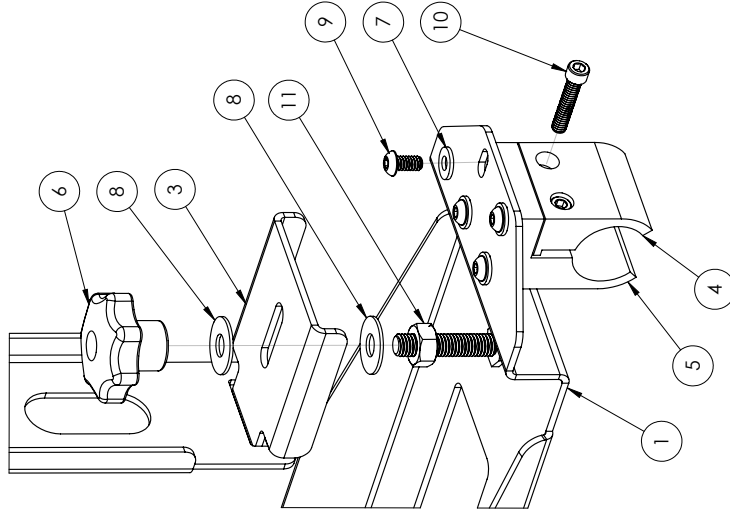
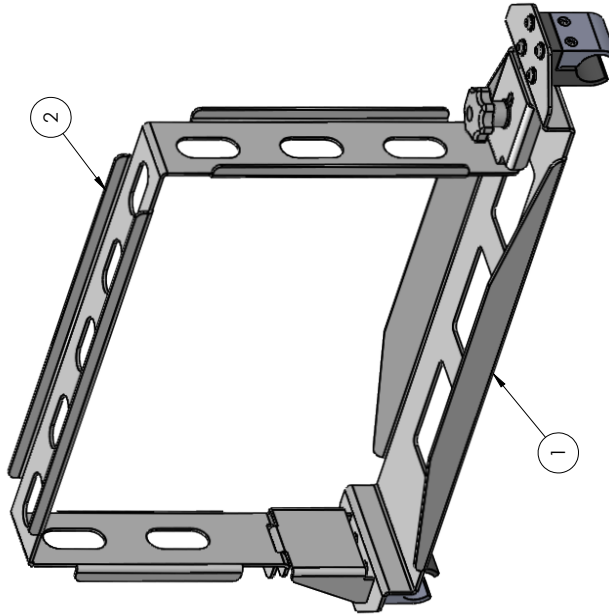
WEB LINK: <http://lodoffroad.com/assets/pdfs/JJC0790 JERRY CAN MOUNT.pdf>

***VERIFY YOU HAVE ALL THE COMPONENTS BEFORE STARTING THE INSTALLATION. REFER TO THE
ENGINEERING DRAWINGS AT THE END OF THIS DOCUMENT FOR A COMPLETE PARTS LIST***

PLEASE READ THROUGH THE ENTIRE INSTRUCTION SET BEFORE BEGINNING THE INSTALLATION PROCESS



ITEM NO.	PART NUMBER	DESCRIPTION	QTY.
1	4JJC0790-01	JERRY CAN BASE WELDMENT	1
2	2JJC0790-03	JERRY CAN STRAP	1
3	2JJC0790-04	CLAMP PLATE	1
4	2JRR0704-76	BAR CLAMP TOP	2
5	2JRR0704-75	BAR CLAMP BOTTOM	2
6	KN1002	KNOB, M10X1.5 THREADED HOLE, PLASTIC	1
7	FW1209ZP	FLAT WASHER #12 X .56" ZINC PLATED	8
8	FW3816ZP	FLAT WASHER Ø3/8" X 1.00 ZINC PLATE	2
9	BHSCS252008ZP	BHSCS 1/4-20 X 0.50 ZINC PLATE	8
10	SHSCS252020CZ	SHSCS 1/4-20 X 1.25 ZINC PLATE	4
11	HN10150MZPGR5	HEX NUT M10 X 1.50mm ZINC PLATE GR5	1



UNLESS OTHERWISE SPECIFIED:
 DIMENSIONS ARE IN INCHES
 TOLERANCES: 0.0010
 ANGLES: 0.0010
 TWO PLACE DECIMAL 0.0015
 THREE PLACE DECIMAL 0.0005

PROPERTY AND CONFIDENTIAL
 MATERIAL: N/A
 FINISH: BLACK POWDER COAT
 PROPERTY OF LOD LLC. ANY REPRODUCTION IN PART OR AS A WHOLE WITHOUT THE WRITTEN PERMISSION OF LOD LLC IS PROHIBITED.

LOD LLC.
 DESCRIPTION:
JERRY CAN MOUNT (SINGLE)

DWG. NO.
JJC0790

SCALE: 1:4 SHEET SIZE: B

REV
A

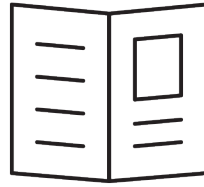
SHEET 1 OF 1



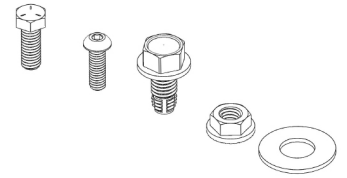
**JK/JL Jeep
DESTROYER SERIES
ROOF RACK
JERRY CAN MOUNT
SHIPPING SHEET**

Packaged by:

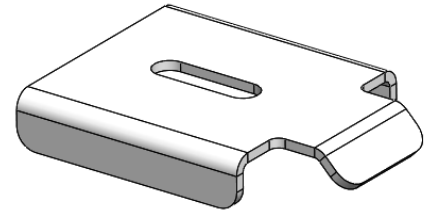
On:



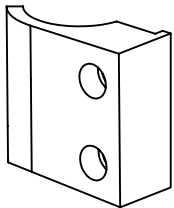
Instruction
Booklet



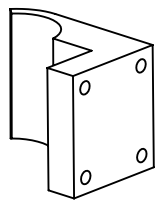
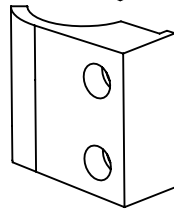
BOLT KIT
(may vary)



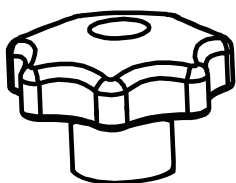
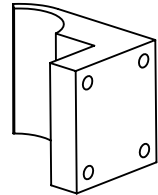
CLAMP PLATE
2JJC0790-04
(x1)



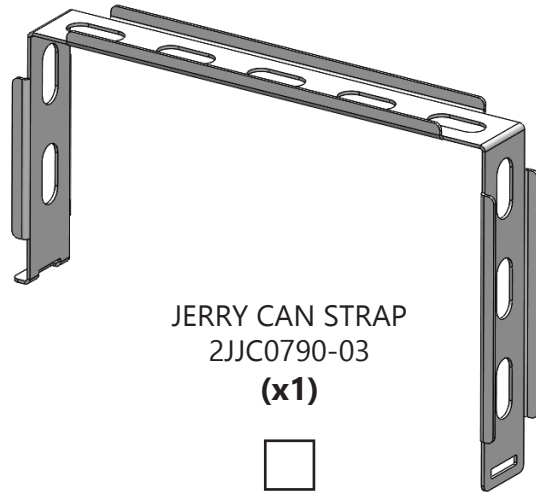
BAR CLAMP TOP
2JRR0704-76
(x2)



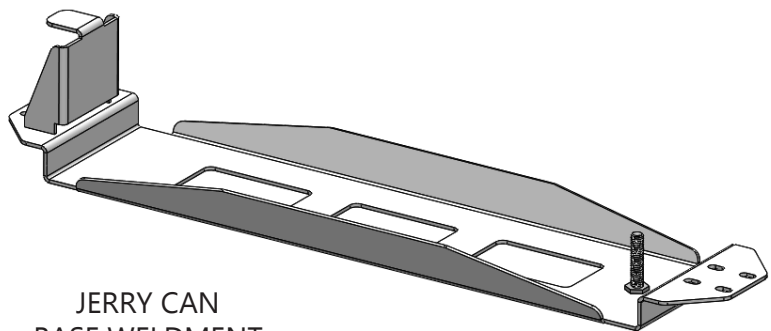
BAR CLAMP BOTTOM
2JRR0704-75
(x2)



KNOB, M10X1.5
THREADED HOLE
KN1002
(x1)



JERRY CAN STRAP
2JJC0790-03
(x1)



JERRY CAN
BASE WELDMENT
4JJC0790-01
(x1)

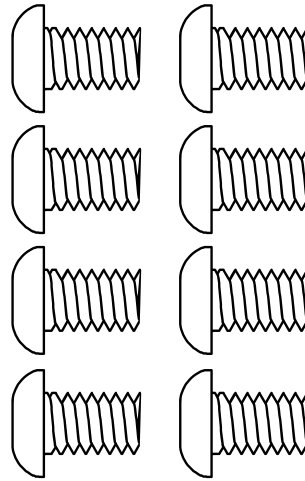




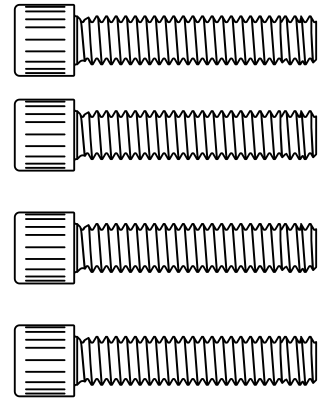
JK/JL Jeep
DESTROYER SERIES
ROOF RACK
JERRY CAN MOUNT
BOLT KIT

Packaged by:

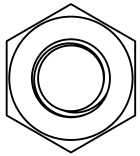
On:



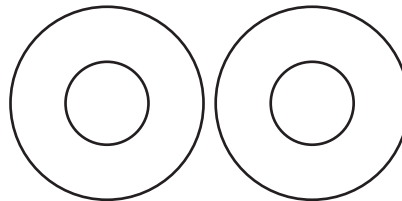
BUTTON HEAD
1/4-20 X 0.50"
(x8)



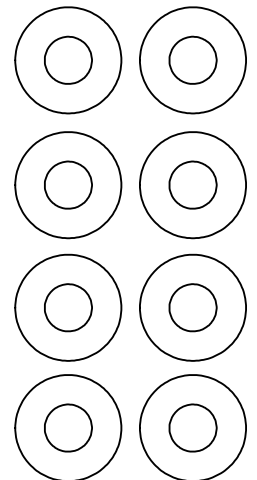
SOCKET HEAD
SCREW
1/4-20 X 1.25"
(x4)



Hex Nut
M10 X 1.50mm
(x1)



Flat Washer
3/8" x 1.00"
(x2)



Flat Washer
#12 x .56"
(x8)

