



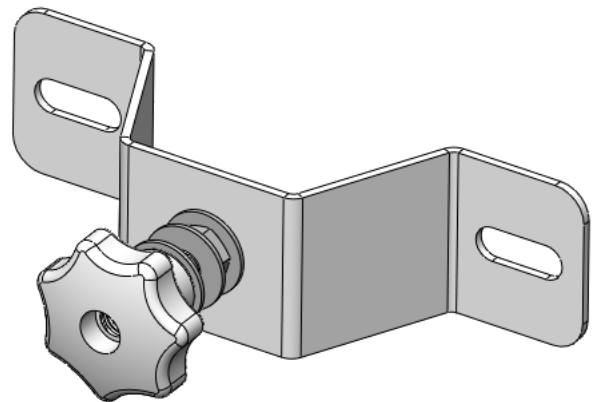
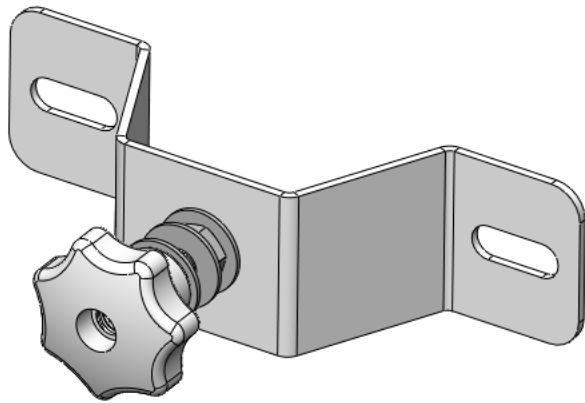
BLACK OPS SERIES

JT

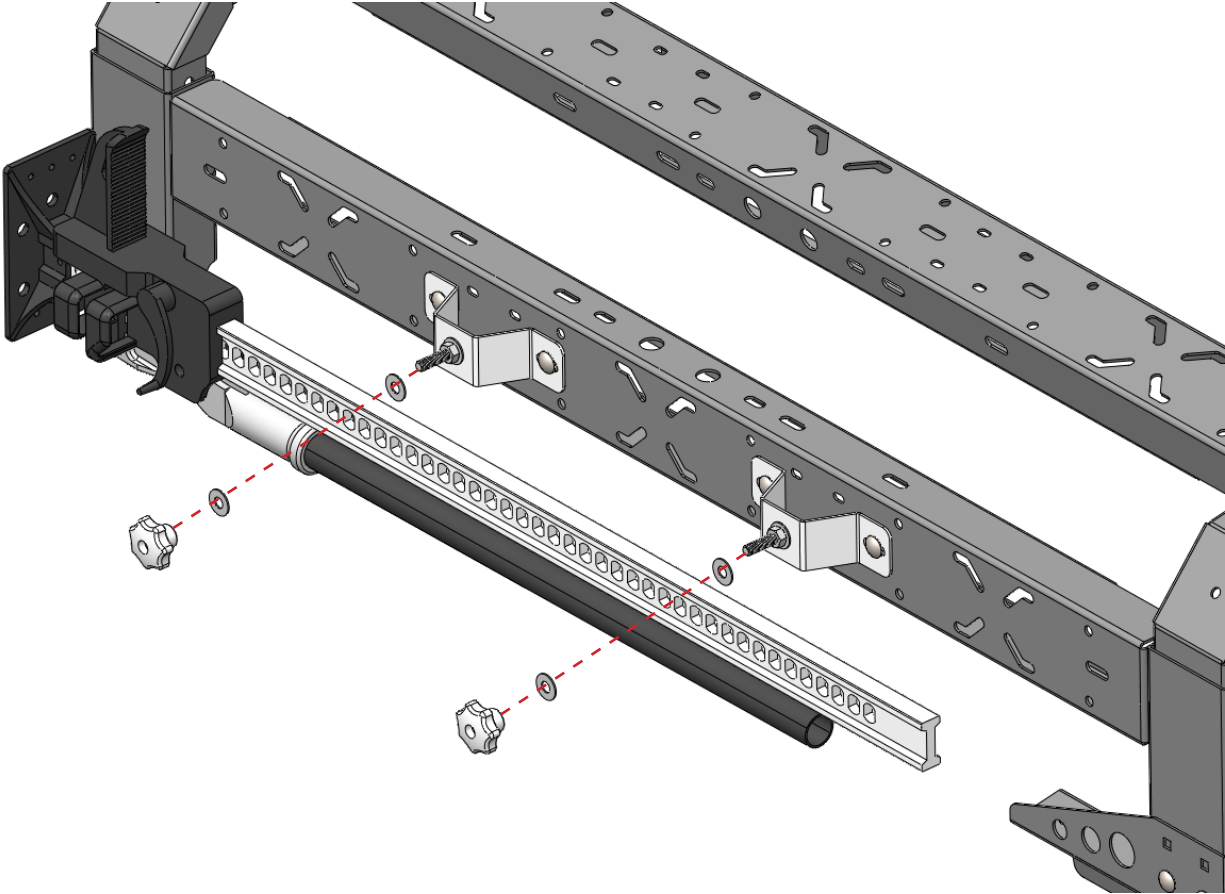
BED RACK HI LIFT MOUNT



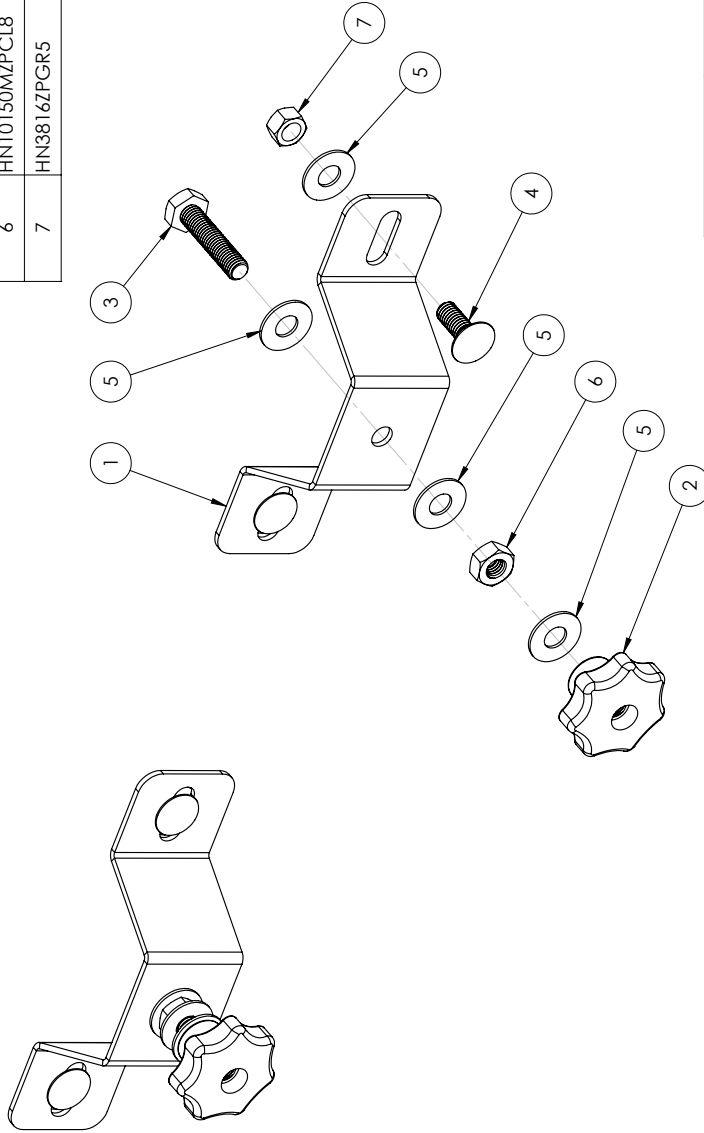
VERIFY YOU HAVE ALL THE COMPONENTS BEFORE STARTING THE INSTALLATION. REFER TO THE ENGINEERING DRAWINGS AT THE END OF THIS DOCUMENT FOR A COMPLETE PARTS LIST



Install the Hi Lift Mounting Brackets in any position on the rack using the Ø3/8 Carriage Bolts, Nuts and Washers. Install the Hex Bolt onto the Hi Lift Mounting Bracket and tighten securely. Use the threaded knob to secure the Hi Lift Jack in place on the mount.



ITEM NO.	PART NUMBER	DESCRIPTION	QTY.
1	2JHL2020-01	BED RACK HIGH LIFT MOUNT	2
2	KN1002	KNOB, M10X1.5 THREADED HOLE, PLASTIC	2
3	HB10150M45ZPCL88	HEX BOLT M10-1.50 x 45mm ZINC PLATE CL8.8	2
4	CB38161ZPGR5	CARRIAGE BOLT 3/8-16 X 1.00 ZINC PLATE GR5	4
5	FW3816ZP	FLAT WASHER Ø3/8" X 1.00 ZINC PLATE	10
6	HN10150MZPCL8	HEX NUT M10 X 1.50mm ZINC PLATE CL8	2
7	HN3816ZPGR5	HEX NUT 3/8-16 ZINC PLATE GR5	4



- NOTES:**
- JHL2020 = BARE STEEL OPTION
 - JHL2021 = BLACK POWDER COAT
 - WEIGHT = APPROX 1 LBS

UNLESS OTHERWISE SPECIFIED:		NAME	DATE
DIMENSIONS ARE IN INCHES		MCH	9/20/2022
TOLERANCES: ±0.010		DRAWN	
MILL FINISH UNLESS NOTED		CHECKED	
TWO PLACE DECIMAL ±0.015		ENG APPR.	
THREE PLACE DECIMAL ±0.005		MEG APPR.	
PROPRIETARY AND CONFIDENTIAL		MATERIAL:	N/A
THE INFORMATION CONTAINED IN THIS DRAWING IS THE SOLE PROPERTY OF LOD LLC. ANY REPRODUCTION IN PART OR AS A WHOLE WITHOUT THE WRITTEN PERMISSION OF LOD LLC IS PROHIBITED.		FINISH:	SEE NOTES
		ECCO:	
		REV	JHL2020 JHL2021
		SCALE:	1:2
		SHEET SIZE:	B
		REV	A
		SHEET 1 OF 1	



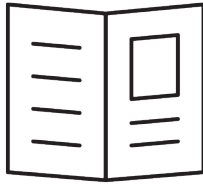
LOD LLC.
DESCRIPTION:
BED RACK HI LIFT MOUNT



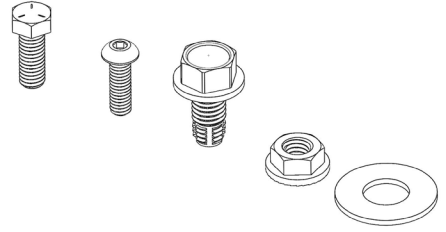
JT Jeep
BLACK OPS SERIES
 BED RACK HI LIFT MOUNT
 SHIPPING SHEET

Packaged by:

On:



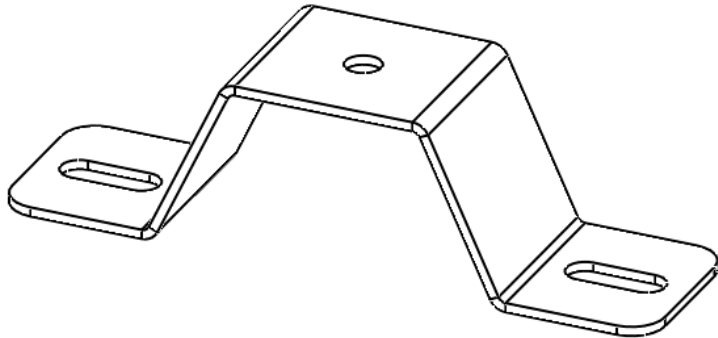
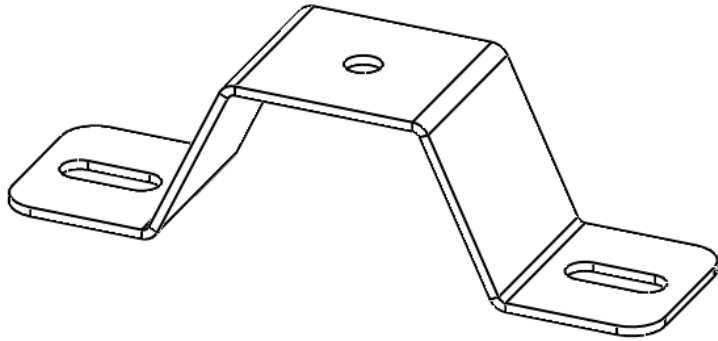
Instruction
Booklet



BOLT KIT
(may vary)



BED RACK HI LIFT
 MOUNT
 2JHL2020-01
(x2)



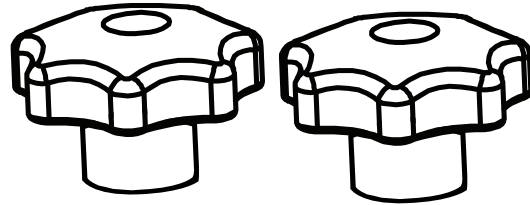


**JT Jeep
BLACK OPS SERIES**

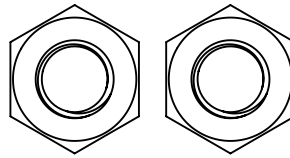
JEEP JT BED RACK HI LIFT
MOUNT
BOLT KIT

Packaged by:

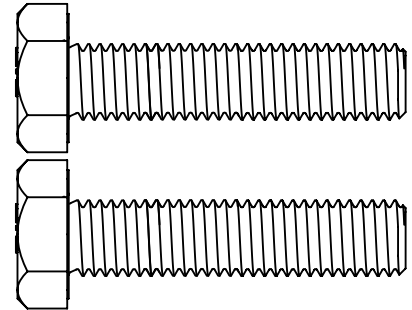
On:



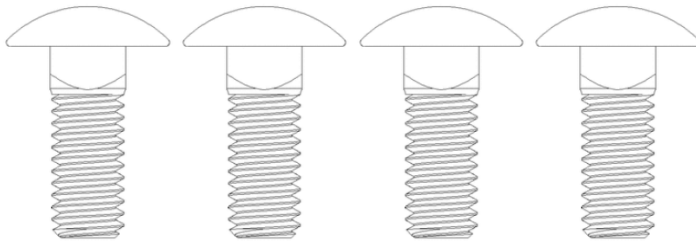
KNOB, M10X1.5
THREADED HOLE
KN1002
(x2)



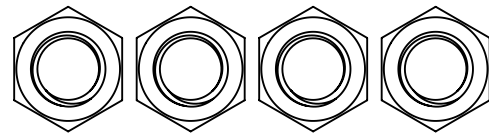
HEX NUT M10-1.50
40308
(x2)



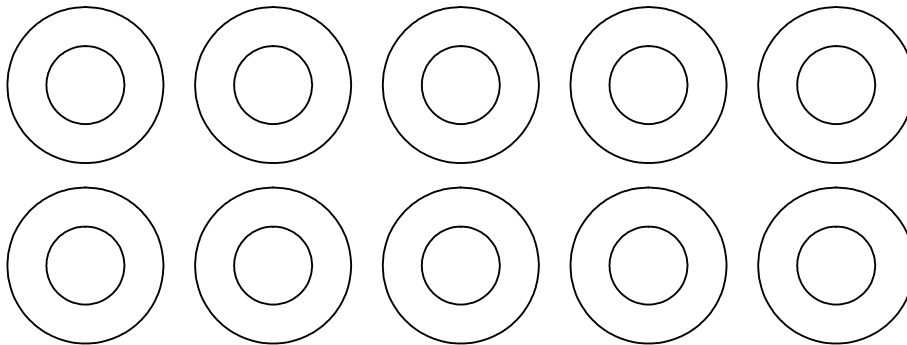
HEX BOLT M10-1.50 X 45MM
(38659)
(x2)



CARRIAGE BOLT 3/8-16 X 1.00
(0155068)
(x4)



HEX NUT 3/8-16
1136306
(x4)



FLAT WASHER
Ø3/8 X 1.00
(x10)