



DESTROYER SERIES

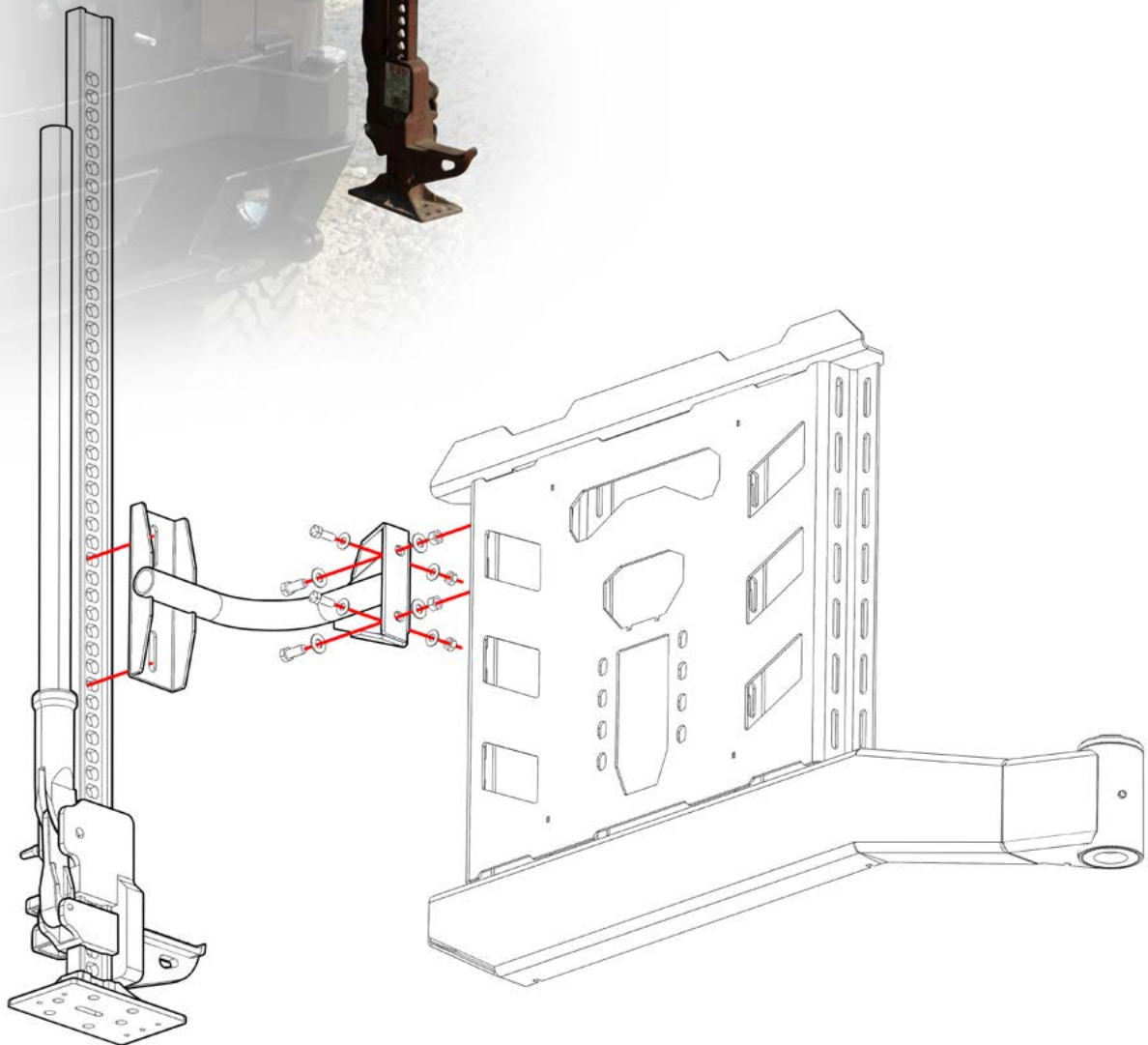
JK

JL

VERTICAL
HI-LIFT JACK
MOUNT

***PLEASE READ THROUGH THE
INSTRUCTIONS BEFORE BEGINNING
ANY PART OF THE INSTALLATION
PROCESS***

*Assemble as shown using the
provided hardware*



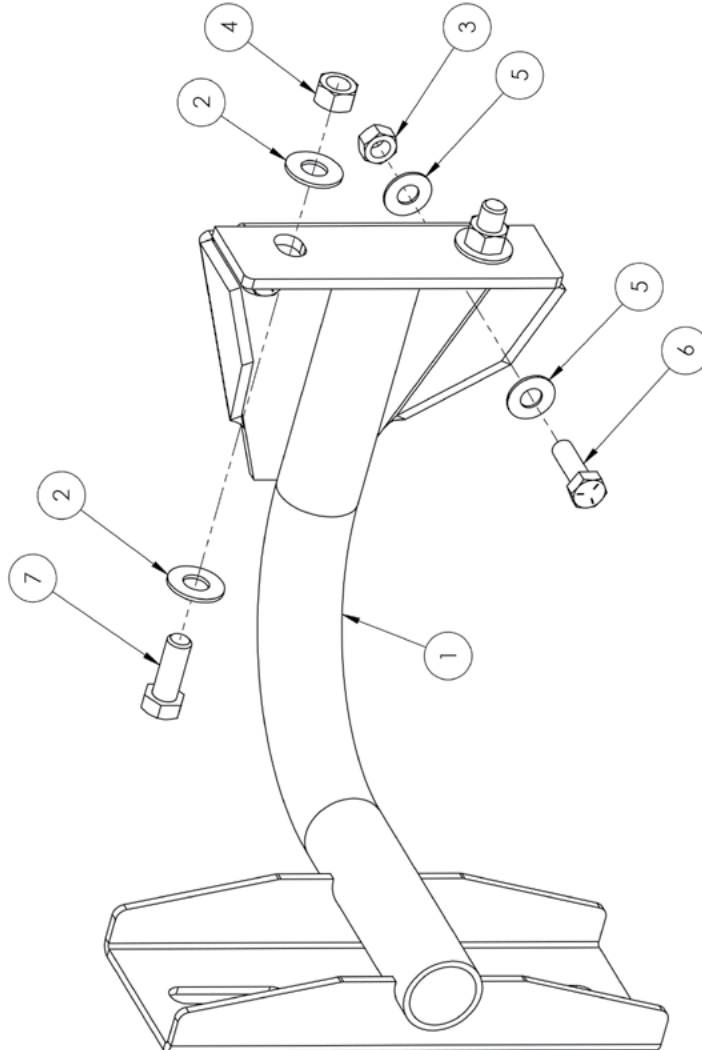
ITEM NO.	PART NUMBER	DESCRIPTION	QTY.
1	4JHL0710-01	VERT HI LIFT MOUNT	1

HARDWARE KIT

ITEM NO.	PART NUMBER	DESCRIPTION	QTY.
2	FW3814ZP	FLAT WASHER Ø3/8" X .875 ZINC PLATE	4
3	HN3118ZPGR5	HEX NUT 5/16-18 ZINC PLATE GR5	2
4	HN3816ZPGR5	HEX NUT 3/8-16 ZINC PLATE GR5	2
5	FW3112ZP	FLAT WASHER Ø5/16" X .75" ZINC PLATE	4
6	HB311816ZPGR5	HEX BOLT 5/16-18 X 1.00 ZINC PLATE GR5	2
7	HB381616ZPGR5	HEX BOLT 3/8-16 X 1.00 ZINC PLATE GR5	2

NOTES:

1. JHL0710 = BARE STEEL OPTION
 2. JHL0711 = BLACK POWDER COAT OPTION
- DESTROYER HI LIFT VERTICAL SIDE MOUNT (UNIVERSAL)

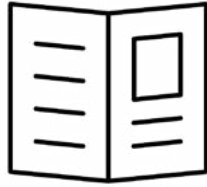




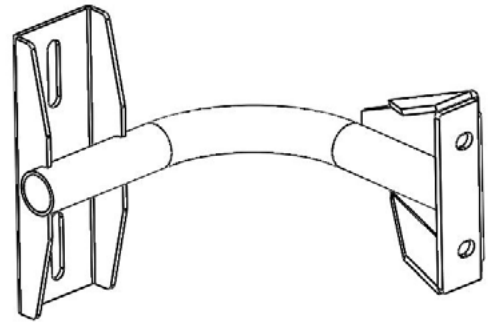
JK/JL Jeep
DESTROYER SERIES
Vertical Hi-Lift Mount
SHIPPING SHEET

Packaged by:

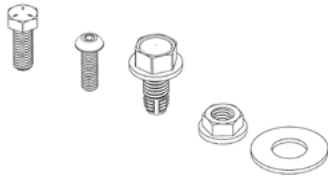
On:



Instruction
Booklet



Vertical Hi-Lift Mount
Weldment
(x1)



BOLT KIT
(may vary)

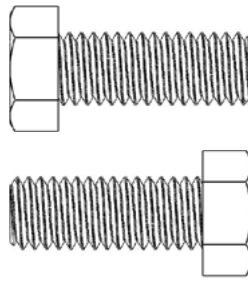




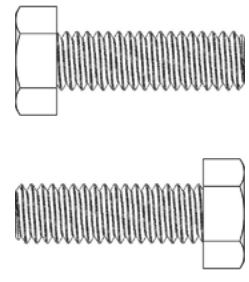
JK/JL Jeep
DESTROYER SERIES
Vertical Hi-Lift Mount

Bolt Kit
Packaged by:

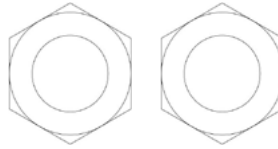
On:



Hex Bolt
3/8\"-16 x 1\"
(x2)



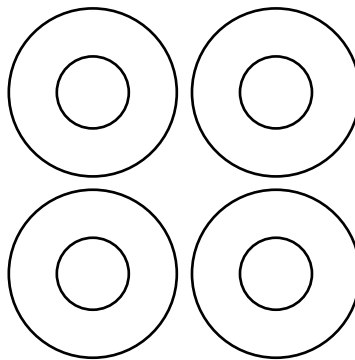
Hex Bolt
5/16\"-18 x 1\"
(x2)



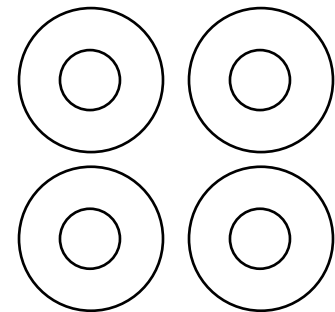
Hex Nut
3/8\"-16
(x2)



Hex Nut
5/16\"-18
(x2)



Flat Washer
3/8\" x 0.875\"
(x4)



Flat Washer
5/16\" x 0.75\"
(x4)

