



*DESTROYER SERIES*

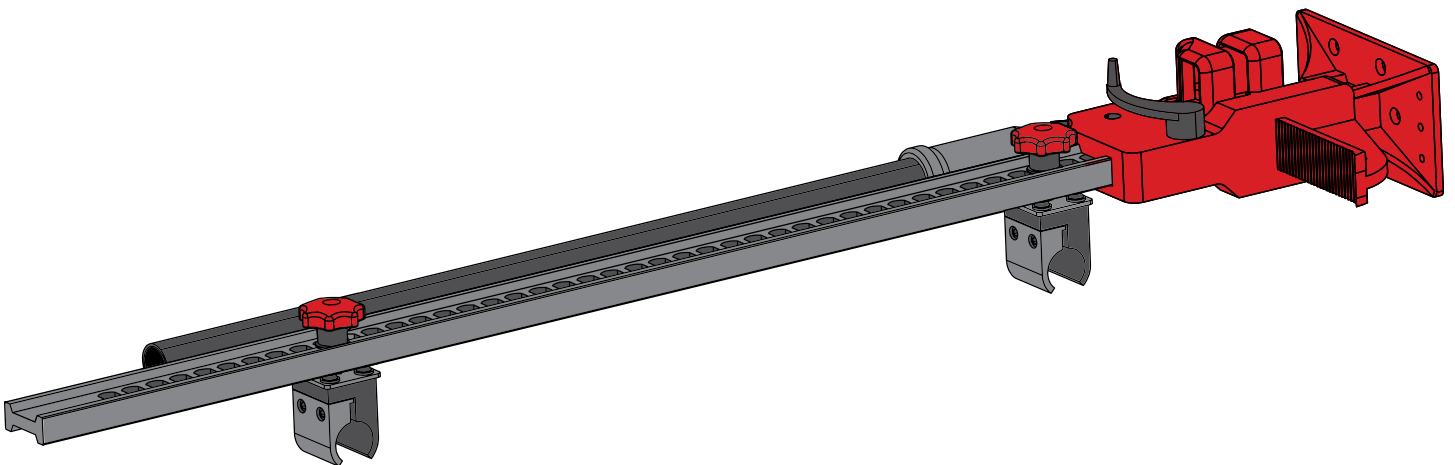
**JK**

**JL**

ROOF RACK  
HI-LIFT MOUNT

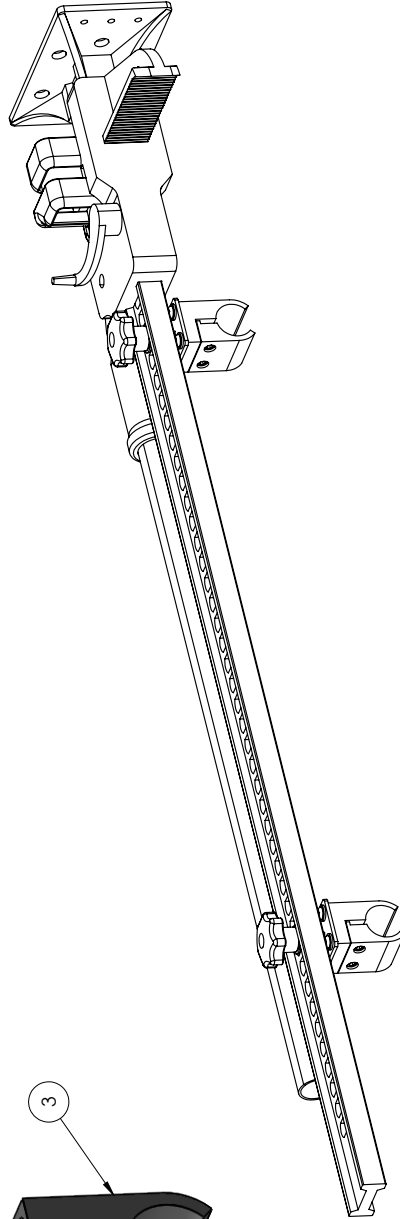
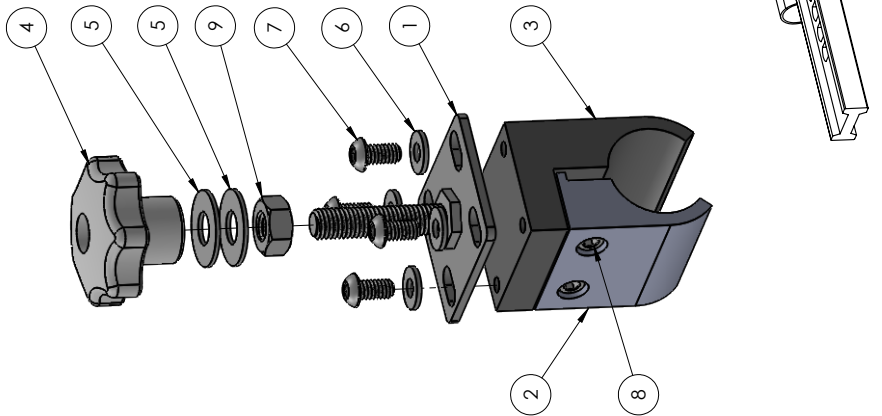
**WEB LINK:** <http://lodoffroad.com/assets/pdfs/JHL0709 ROOF RACK HI-LIFT MOUNT.pdf>

**\*VERIFY YOU HAVE ALL THE COMPONENTS BEFORE STARTING THE INSTALLATION. REFER TO THE ENGINEERING DRAWINGS AT THE END OF THIS DOCUMENT FOR A COMPLETE PARTS LIST\***



\*Assemble as shown using the provided hardware\*

ITEM NO.	PART NUMBER	DESCRIPTION	QTY.
1	4JHL0790-01	HI LIFT MOUNTING BRACKET	2
2	2JRR0704-76	BAR CLAMP TOP	2
3	2JRR0704-75	BAR CLAMP BOTTOM	2
4	KN1002	KNOB, M10X1.5 THREADED HOLE, PLASTIC	2
5	FW38167P	FLAT WASHER Ø3/8" X 1.00 ZINC PLATE	4
6	FW12097P	FLAT WASHER #12 X .56" ZINC PLATED	8
7	BHSCS2520087P	BHSCS 1/4-20 X 0.50 ZINC PLATE	8
8	SHSCS252020CZ	SHSCS 1/4-20 X 1.25 ZINC PLATE	4
9	HN10150MZPGR5	HEX NUT M10 X 1.50mm ZINC PLATE GR5	2



UNLESS OTHERWISE SPECIFIED:		NAME	DATE
DIMENSIONS ARE IN INCHES		MCH	6/20/2019
TOLERANCES: ±0.010	CHECKED		
ANGULAR: MACH ±1°	ENG APPR.		
TWO PLACE DECIMAL	MFG APPR.		
THREE PLACE DECIMAL			
PROPRIETARY AND CONFIDENTIAL		LOD LLC.	
THE INFORMATION CONTAINED IN THIS DRAWING IS THE SOLE PROPERTY OF LOD LLC. ANY REPRODUCTION OR TRANSMISSION OF THIS DRAWING WITHOUT THE WRITTEN PERMISSION OF LOD LLC IS PROHIBITED.		DESCRIPTION: JEEP ROOF RACK HI-LIFT MOUNT	
MATERIAL: N/A		DWG. NO. JHL0790	
FINISH: BLACK POWDER COAT		SCALE: 1:4	
ECO:		SHEET SIZE: B	
		REV A	
		SHEET 1 OF 1	

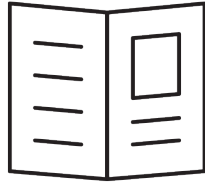




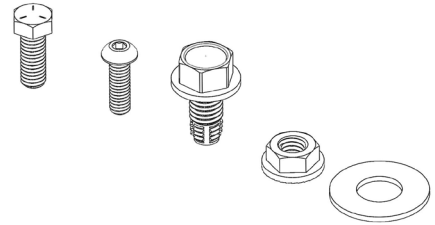
**JK/JL Jeep  
DESTROYER SERIES  
ROOF RACK  
HI-LIFT MOUNT  
SHIPPING SHEET**

Packaged by:

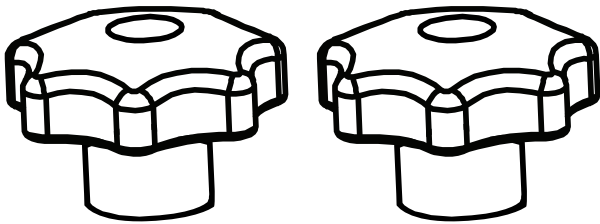
\_\_\_\_\_  
On:  
\_\_\_\_\_



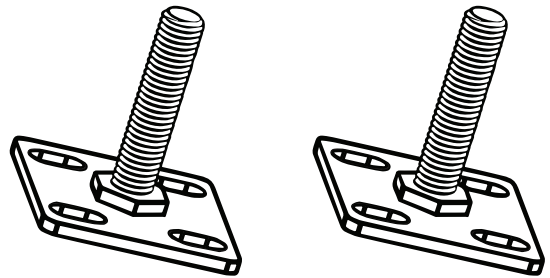
Instruction  
Booklet



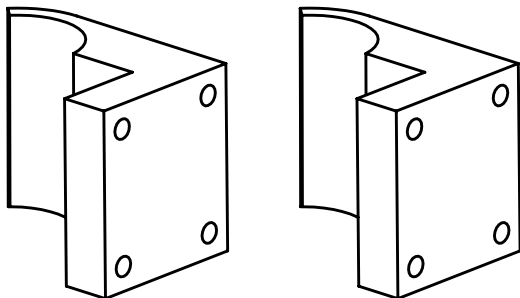
BOLT KIT  
(may vary)



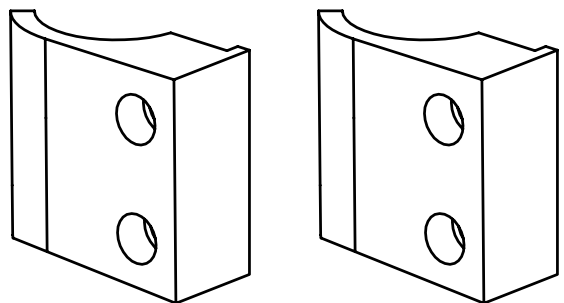
KNOB, M10 X 1.5  
THREADED HOLE  
KN1002  
**(x2)**



HI LIFT MOUNTING BRACKET  
4JHL0790-01  
**(x2)**



BAR CLAMP BOTTOM  
2JRR0704-75  
**(x2)**



BAR CLAMP TOP  
2JRR0704-76  
**(x2)**

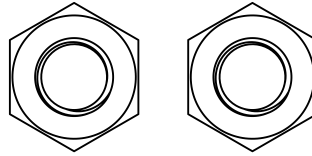




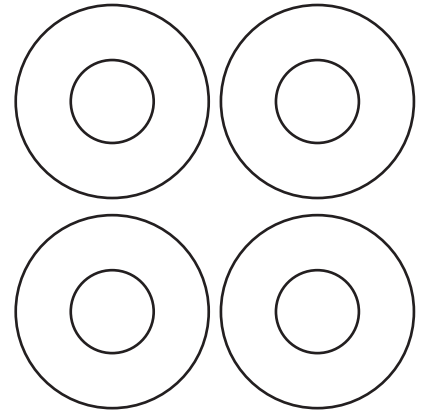
**JK/JL Jeep  
DESTROYER SERIES  
ROOF RACK  
HI-LIFT MOUNT  
BOLT KIT**

Packaged by:

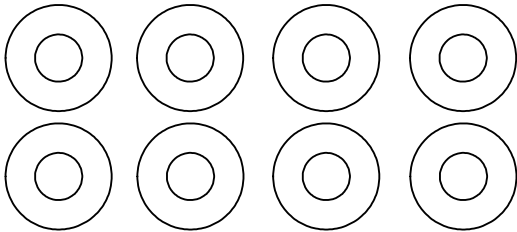
On: \_\_\_\_\_  
\_\_\_\_\_



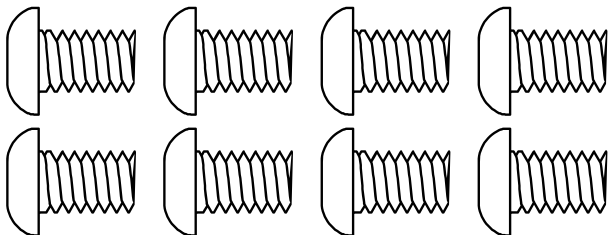
HEX NUT  
M10 X 1.5mm  
**(x2)**



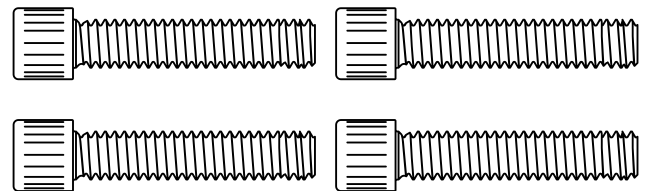
FLAT WASHER  
3/8" x 1.00"  
**(x4)**



FLAT WASHER  
#12 x .56"  
**(x8)**



BUTTON HEAD  
1/4-20 X 0.50"  
**(x8)**



SOCKET HEAD SCREW  
1/4-20 X 1.25"  
**(x2)**

