



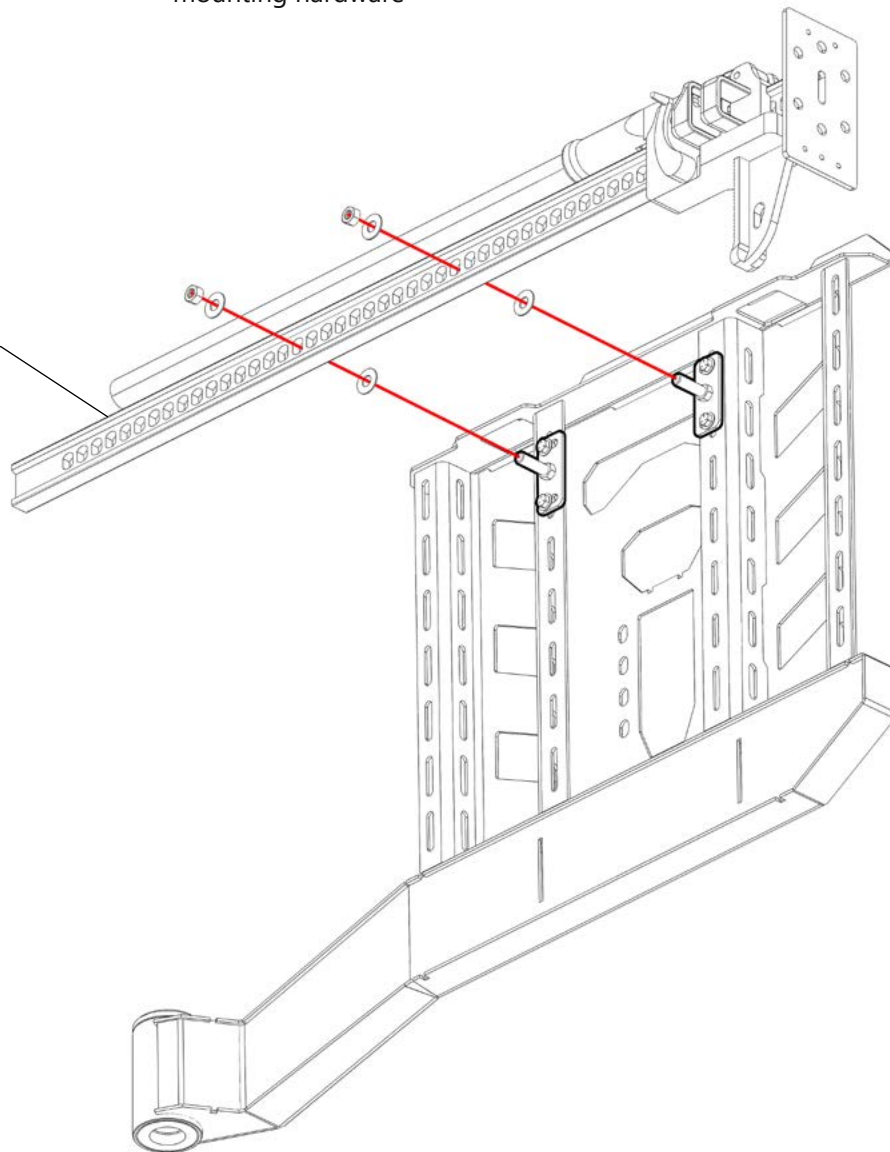
DESTROYER SERIES

JK JL HORIZONTAL HI-LIFT MOUNTS

PLEASE READ THROUGH THE INSTRUCTIONS BEFORE BEGINNING ANY PART OF THE INSTALLATION PROCESS

Includes all necessary mounting hardware

Install as shown
jack not included



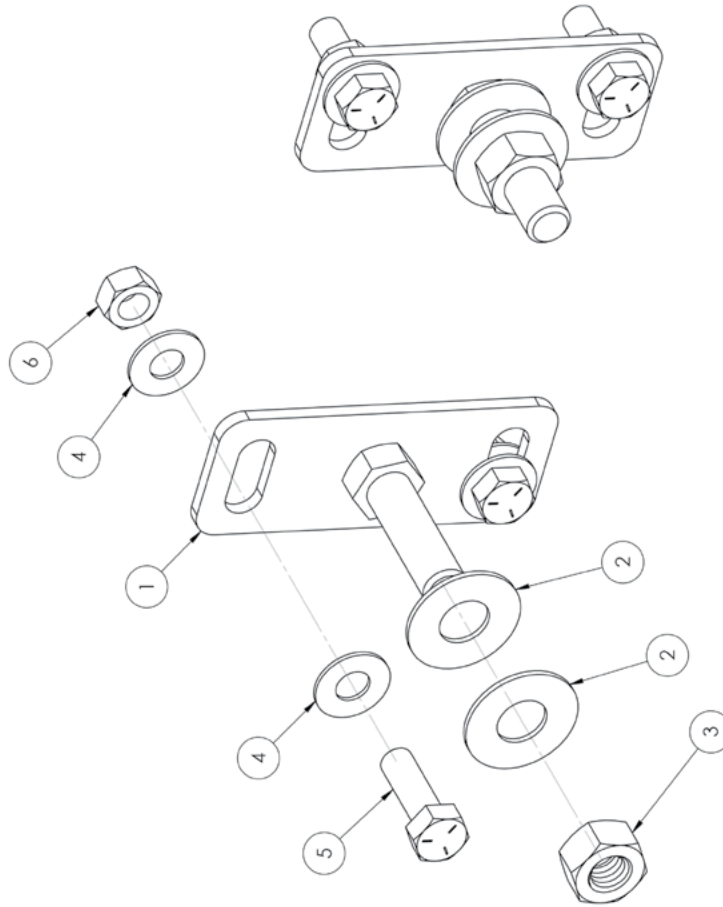
ITEM NO.	PART NUMBER	DESCRIPTION	QTY.
1	4JHL0701-01	HORZ HI LIFT MOUNT BRACKET	2
2	FW4318ZP	FLAT WASHER Ø7/16 X 1.25" ZINC PLATED	4
3	HN4314ZPGR5	HEX NUT 7/16-14 ZINC PLATE GR5	2
4	FW3112ZP	FLAT WASHER Ø5/16" X .75" ZINC PLATE	8
5	HB311816ZPGR5	HEX BOLT 5/16-18 X 1.00 ZINC PLATE GR5	4
6	HN3118ZPGR5	HEX NUT 5/16-18 ZINC PLATE GR5	4

NOTES:

1. JHL0700 = BARE STEEL OPTION
2. JHL0701 = BLACK POWDER COAT OPTION

HIGHLIFT HORIZONTAL MOUNT

JHL0701





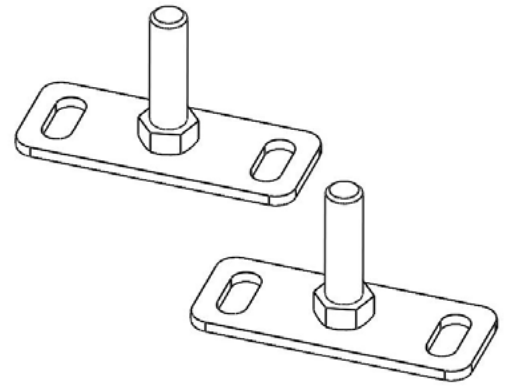
JK/JL Jeep
DESTROYER SERIES
 Horizontal Hi-Lift Mounts
 SHIPPING SHEET

Packaged by:

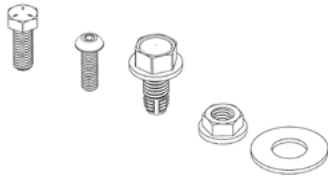
On:



Instruction
Booklet



Horizontal Hi-Lift
Mount Tabs
(x2)



BOLT KIT
(may vary)

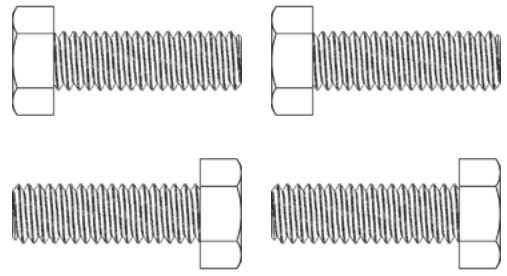




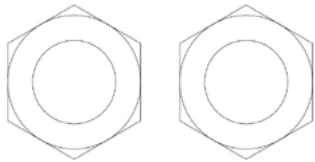
JK/JL Jeep
DESTROYER SERIES
Horizontal Hi-Lift Mount

Bolt Kit
Packaged by:

On:



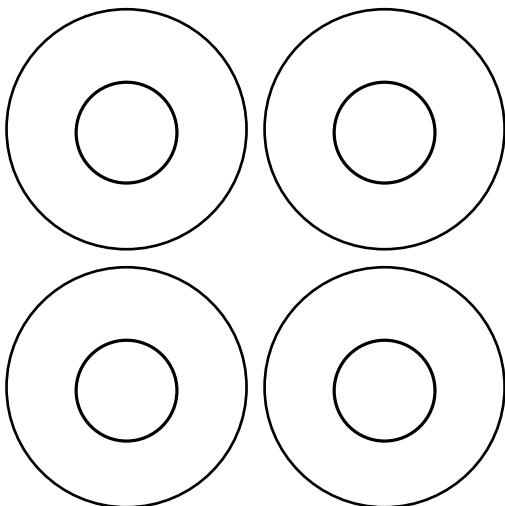
Hex Bolt
5/16"-18 x 1"
(x4)



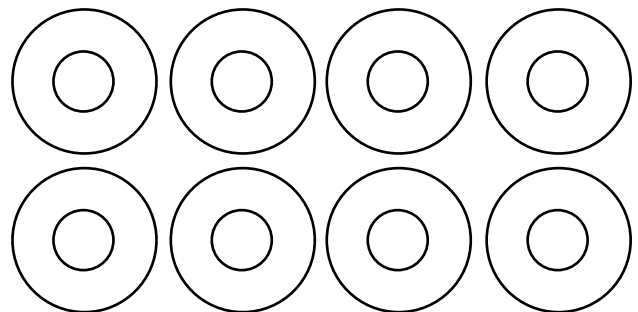
Hex Nut
7/16"-14
(x2)



Hex Nut
5/16"-18
(x4)



Washer
7/16" x 1.25"
(x4)



Flat Washer
5/16" x 0.75"
(x8)

