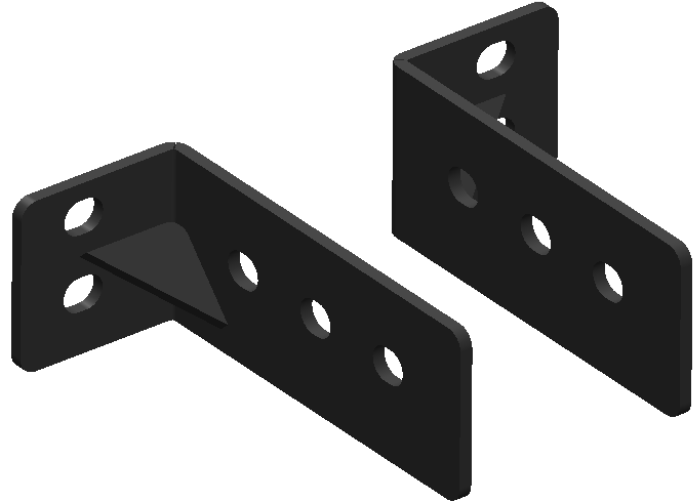




CJ FRAME TIE-IN BRACKETS

PLEASE READ THROUGH THE INSTRUCTIONS BEFORE BEGINNING ANY PART OF THE INSTALLATION PROCESS



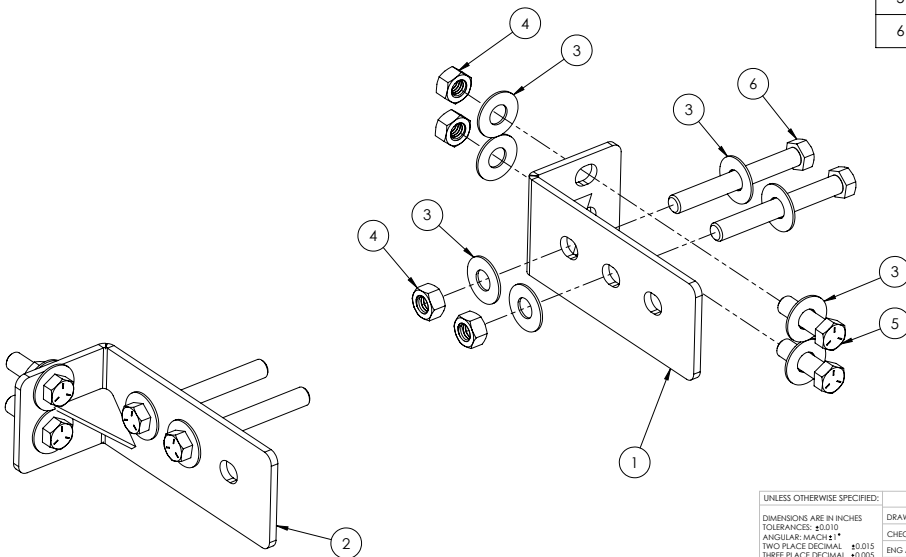
WEB INSTALL LINK:

<http://lodoffroad.com/assets/pdfs/JFT9603.pdf>

ITEM NO.	PART NUMBER	DESCRIPTION	QTY.
1	4JFT9603-01	CJ FRAME TIE IN BRACKET - DS	1
2	4JFT9603-02	CJ FRAME TIE IN BRACKET - PS	1

BOLT KIT

ITEM NO.	PART NUMBER	DESCRIPTION	QTY.
3	FW4318ZP	FLAT WASHER Ø7/16 X 1.25" ZINC PLATED	16
4	HN4314ZPGR5	HEX NUT 7/16-14 ZINC PLATE GR5	8
5	HB431424ZPGR5	HEX BOLT 7/16-14 X 1.50 HEX BOLT ZINC PLATE GR5	4
6	HB431456ZPGR5	HEX BOLT 7/16-14 X 3.50 HEX BOLT ZINC PLATE GR5	4



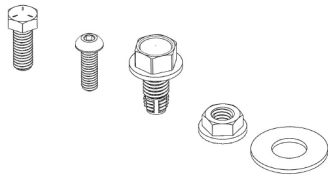
UNLESS OTHERWISE SPECIFIED:	NAME	DATE	LOD LLC.	
DIMENSIONS ARE IN INCHES TOLERANCES: ±0.010 ANGULAR: MACH±1° TWO PLACE DECIMAL ±0.015 THREE PLACE DECIMAL ±0.005	DRAWN	MCH	4/13/2020	
PROPRIETARY AND CONFIDENTIAL	CHECKED			DESCRIPTION: CJ FRAME TIE IN BRACKETS
THE INFORMATION CONTAINED IN THIS DRAWING IS THE SOLE PROPERTY OF LOD LLC. ANY REPRODUCTION IN PART OR AS A WHOLE WITHOUT THE WRITTEN PERMISSION OF LOD LLC IS PROHIBITED.	ENG APPR.			DWG. NO. JFT9603
	MFG APPR.			REV A
				SCALE: 1:2
				SHEET SIZE: B
				SHEET 1 OF 1



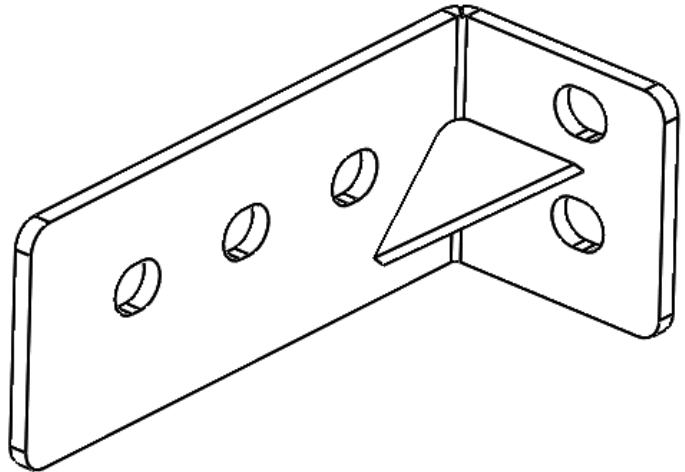
Frame Tie-In Brackets
SHIPPING SHEET

Packaged by:

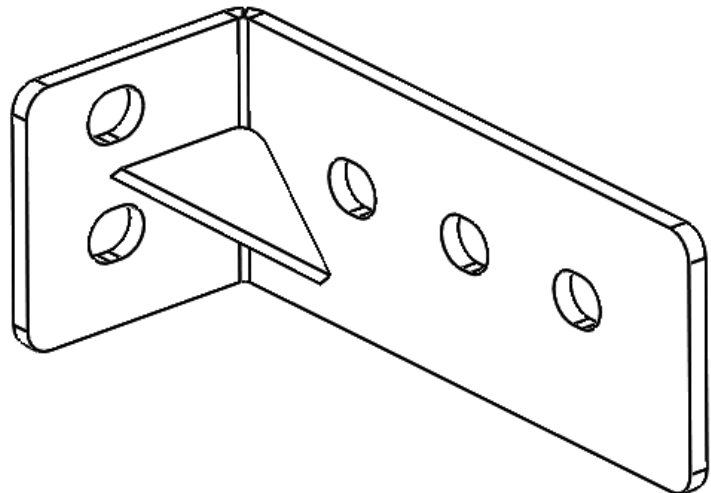
On:



BOLT KIT
(may vary)



CJ Frame Tie In Bracket - DS
4JFT9603-01
(x1)



CJ Frame Tie In Bracket - PS
4JFT9603-02
(x1)



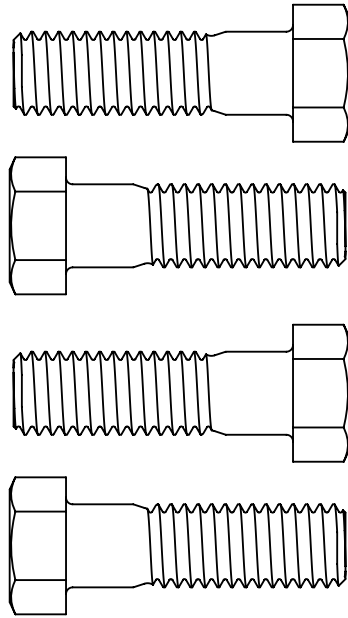


Frame Tie-In Brackets

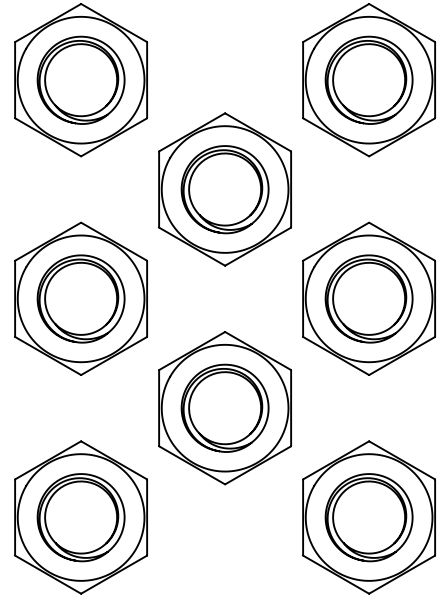
BOLT KIT

Packaged by:

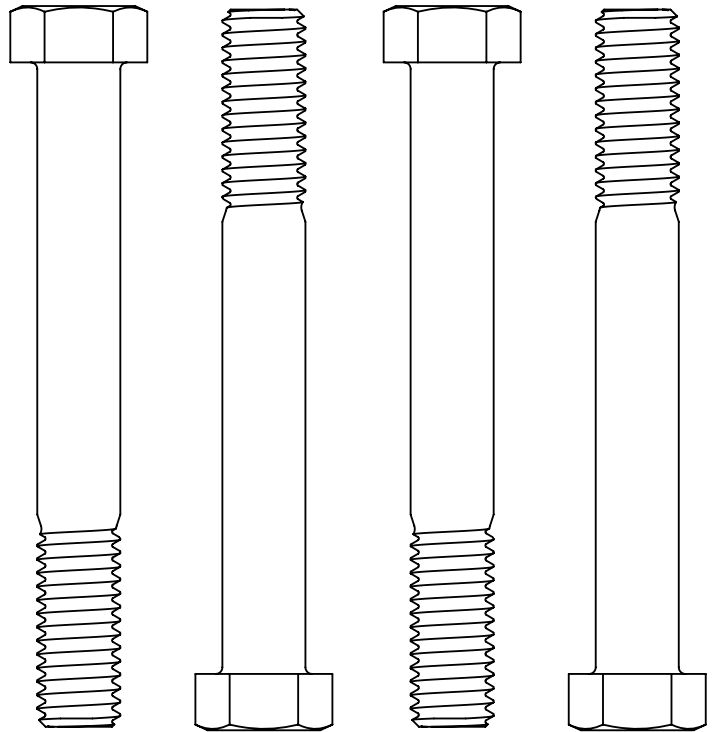
On:



Hex Bolt
7/16"-14 x 1.5"
(x4)



Hex Nut
7/16"-14
(x8)



Hex Bolt
7/16"-14 x 3.5"

(x4)



