



SIGNATURE SERIES

TJ FRAME TIE-IN BRACKETS

PLEASE READ THROUGH THE INSTRUCTIONS BEFORE BEGINNING ANY PART OF THE INSTALLATION PROCESS



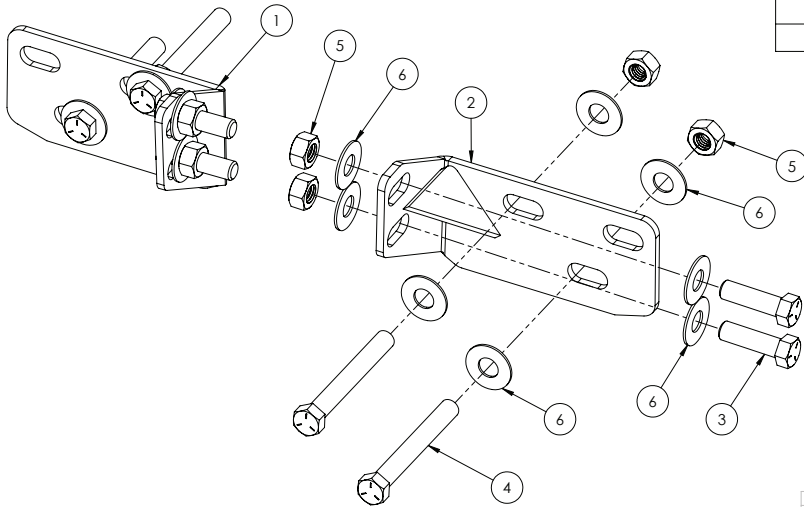
WEB INSTALL LINK:

<http://lodoffroad.com/assets/pdfs/JFT9601.pdf>

ITEM NO.	PART NUMBER	DESCRIPTION	QTY.
1	4JFT9600	TJ FRAME TIE IN BRACKET DS	1
2	4JFT9600-2	TJ FRAME TIE IN BRACKET PS	1

HARDWARE

ITEM NO.	PART NUMBER	DESCRIPTION	QTY.
3	HB431424ZPGR5	HEX BOLT 7/16-14 X 1.50 HEX BOLT ZINC PLATE GR5	4
4	HB431456ZPGR5	HEX BOLT 7/16-14 X 3.50 HEX BOLT ZINC PLATE GR5	4
5	HN4314ZPGR5	HEX NUT 7/16-14 ZINC PLATE GR5	8
6	FW4318ZP	FLAT WASHER Ø7/16 X 1.25" ZINC PLATED	16



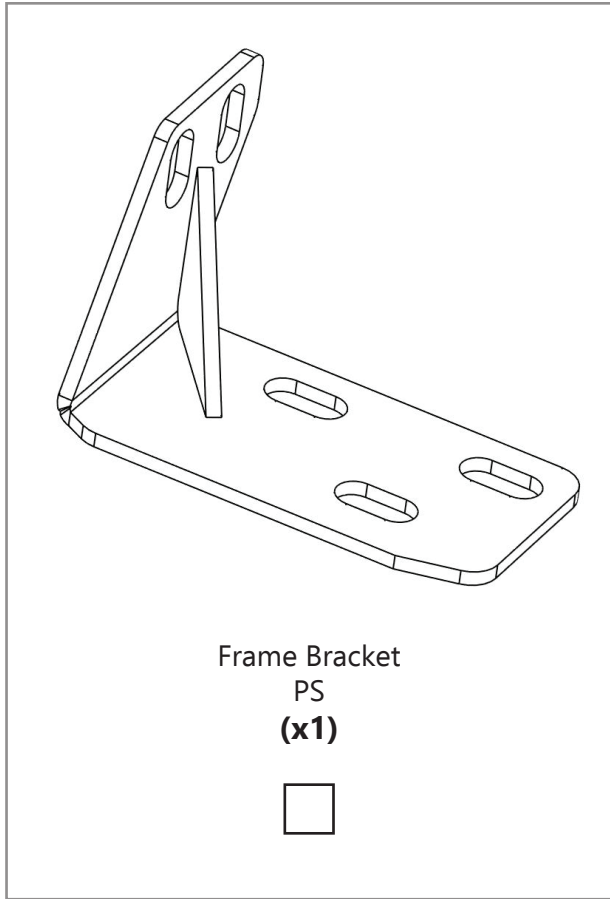
UNLESS OTHERWISE SPECIFIED: DIMENSIONS ARE IN INCHES TOLERANCES: ±0.010 ANGULAR: MACH ±1° TWO PLACE DECIMAL: ±0.015 THREE PLACE DECIMAL: ±0.005	DRAWN: MCH CHECKED: ENG APPR: MFG APPR:	NAME: MCH DATE: 8/27/18	LOD LLC. DESCRIPTION: TJ FRAME TIE IN BRACKETS	
PROPRIETARY AND CONFIDENTIAL THE INFORMATION CONTAINED IN THIS DRAWING IS THE SOLE PROPERTY OF LOD LLC. ANY REPRODUCTION IN PART OR AS A WHOLE WITHOUT THE WRITTEN PERMISSION OF LOD LLC IS PROHIBITED.	MATERIAL: N/A FINISH: BLACK POWDER COAT ECO: -		DWG. NO. JFT9600	REV A
			SCALE: 1:2	SHEET SIZE: B
				SHEET 1 OF 1



TJ SIGNATURE SERIES
Frame Tie-In Brackets
SHIPPING SHEET

Packaged by:

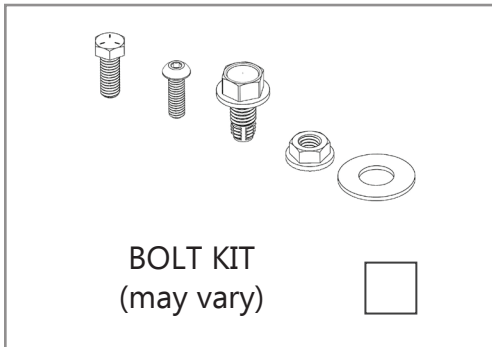
On:



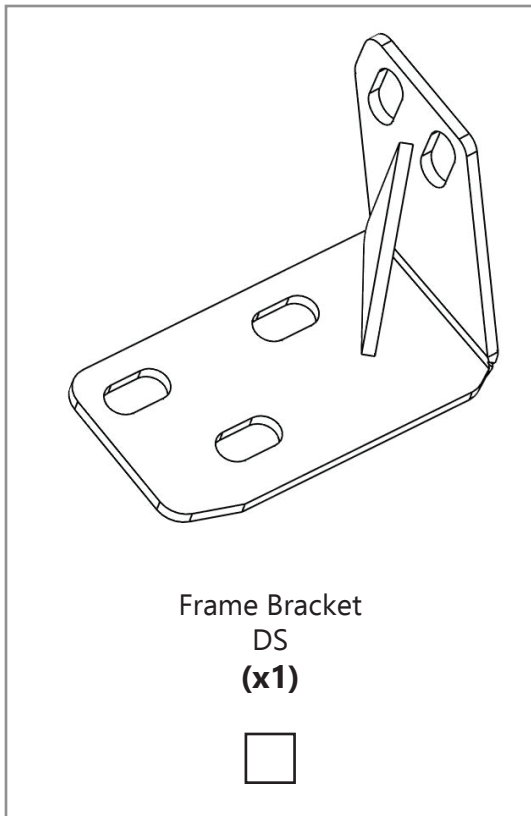
Frame Bracket

PS

(x1)



BOLT KIT
(may vary)



Frame Bracket

DS

(x1)





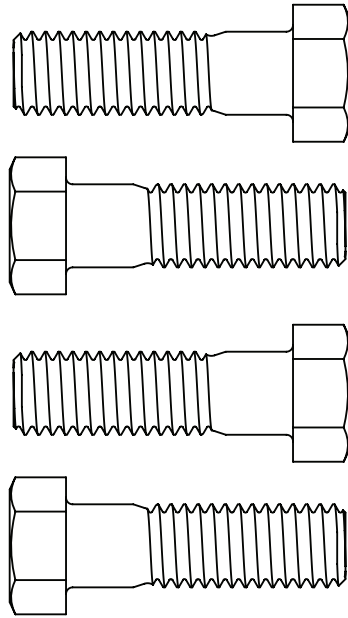
TJ SIGNATURE SERIES

Frame Tie-In Brackets

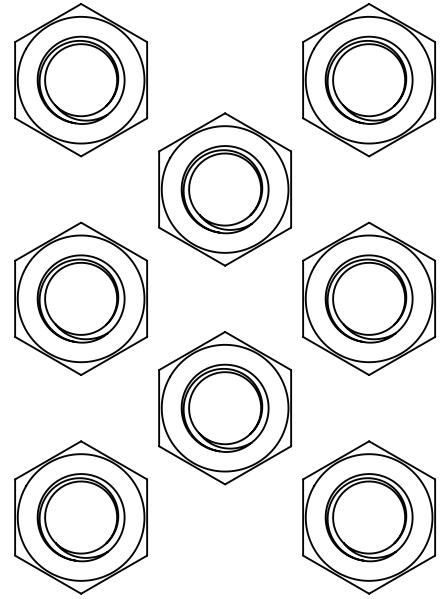
Bolt Kit

Packaged by:

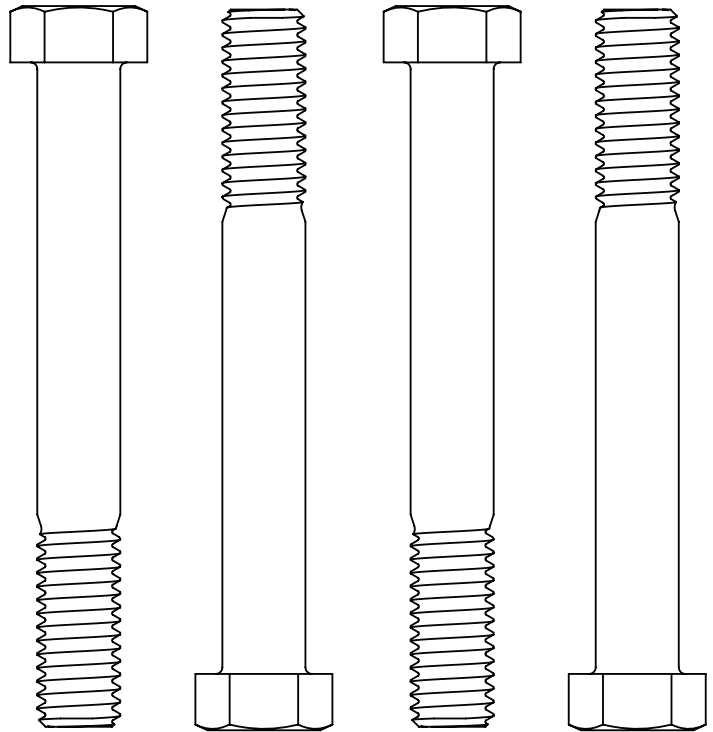
On:



Hex Bolt
7/16"-14 x 1.5"
(x4)



Hex Nut
7/16"-14
(x8)



Hex Bolt
7/16"-14 x 3.5"

(x4)



