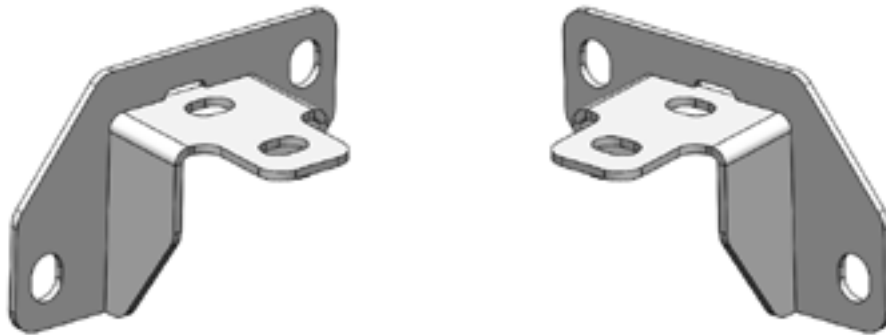




WEB LINK: <http://lodoffroad.com/assets/pdfs/JFT2000 JT Rear Bumper Frame Tie In Brackets.pdf>

VERIFY YOU HAVE ALL THE COMPONENTS BEFORE STARTING THE INSTALLATION. REFER TO THE ENGINEERING DRAWINGS AT THE END OF THIS DOCUMENT FOR A COMPLETE PARTS LIST



*****Be sure to read through the entire instructions before starting your installation!*****

Refer to the Engineering drawing included with this document for the correct hardware required at each step of the installation.

Install the Frame Tie In Brackets on top of the frame rail and behind the frame rail face plate as shown.



Use the 1/2" Hex Bolts, Nuts and Washers that come with your LOD Rear Bumper to attach the Frame Tie In Brackets.

These Hex Bolts, Nuts and Washers are included with your Rear Bumper Bolt Kit.



Install Backing Washer/Spacer as shown between your Frame Tie In Bracket and the Bumper Frame Mount after you bumper is installed.

Backing Washer/Spacer



Install the Face Plate or D-Ring Mount on your bumper and tighten securely.

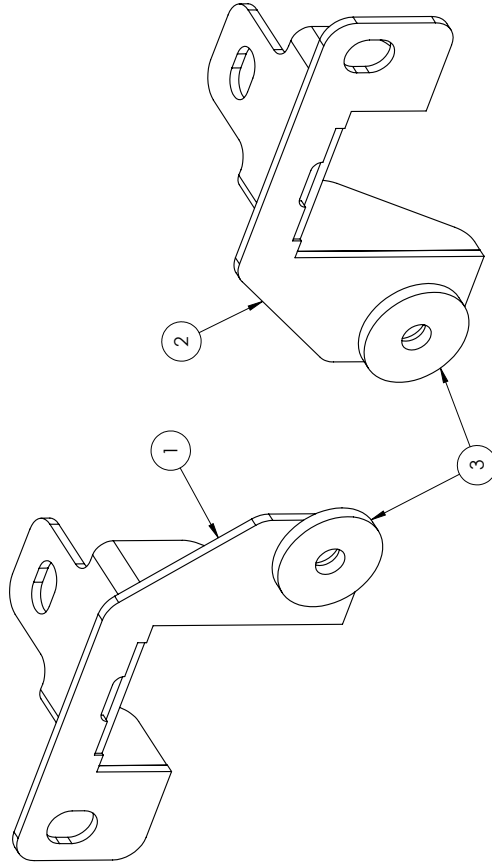


****Maintenance****

- Periodically check and re-tighten all fasteners.
- Periodically check your product for scratches or dings which can happen over time or after heavy use or highway driving. It is important to address these areas as soon as possible to prevent flaking and corrosion or rust from spreading. We recommend using Rustoleum® brand Black Semi-Gloss Protective Enamel (oil based). Remove loose powder coating, sand the area and clean using alcohol. Apply using a foam brush by dabbing to match the powder coat texture.



ITEM NO.	PART NUMBER	DESCRIPTION	QTY.
1	4JRB2000-01	JT REAR FRAME TIE IN WELDMENT - DS	1
2	4JRB2000-02	JT REAR FRAME TIE IN WELDMENT - PS	1
3	2JRS0754-19	BACKING WASHER / SPACER	2



NOTES:
 1. JFT2000 = BARE STEEL OPTION
 2. JFT2001 = BLACK POWDER COAT OPTION

UNLESS OTHERWISE SPECIFIED: DIMENSIONS ARE IN INCHES TOLERANCES: ±0.010 ANGULAR: MACH: 1° MFG: ±0.015 THREE PLACE DECIMAL ±0.005	DRAWN CHECKED ENG APPR. MFG APPR.	NAME MCH	DATE 11/16/2020	LOD LLC.
PROPRIETARY AND CONFIDENTIAL THE INFORMATION CONTAINED IN THIS DRAWING IS THE SOLE PROPERTY OF LOD LLC. REPRODUCTION IN PART OR AS A WHOLE WITHOUT THE WRITTEN PERMISSION OF LOD LLC IS PROHIBITED.	SEE NOTES			DESCRIPTION: JT REAR BUMPER FRAME TIE IN BRACKETS
DWG. NO. JFT2000				REV A
SCALE: 1:2				SHEET SIZE: B
				SHEET 1 OF 1





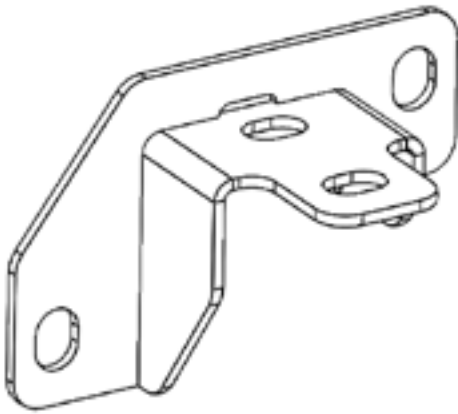
JT Jeep
DESTROYER SERIES
 JEEP JT REAR BUMPER
 FRAME TIE IN BRACKETS
 SHIPPING SHEET

Packaged by:

On:



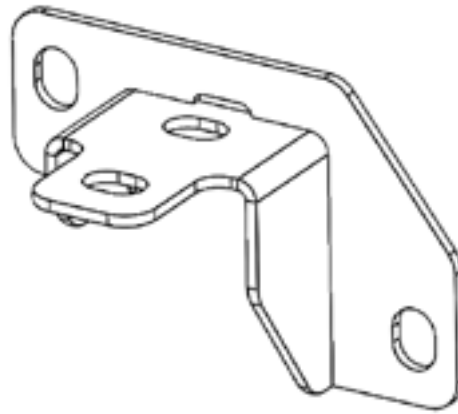
Instruction
Sheet



JT REAR FRAME TIE IN WELDMENT - DS

4JRB2000-01

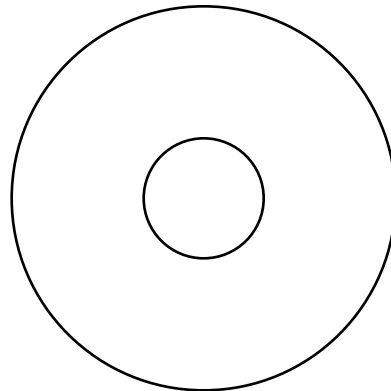
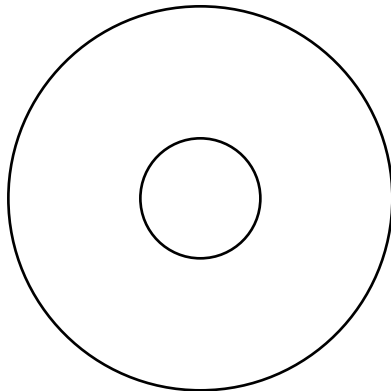
(x1)



JT REAR FRAME TIE IN WELDMENT - PS

4JRB2000-02

(x1)



BACKING WASHER / SPACER

2JRS0754-19

(x2)

