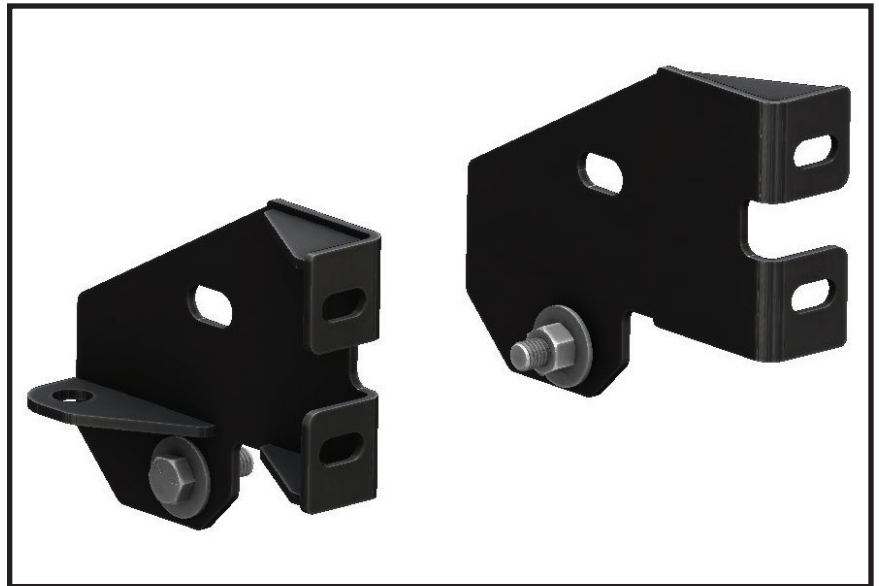




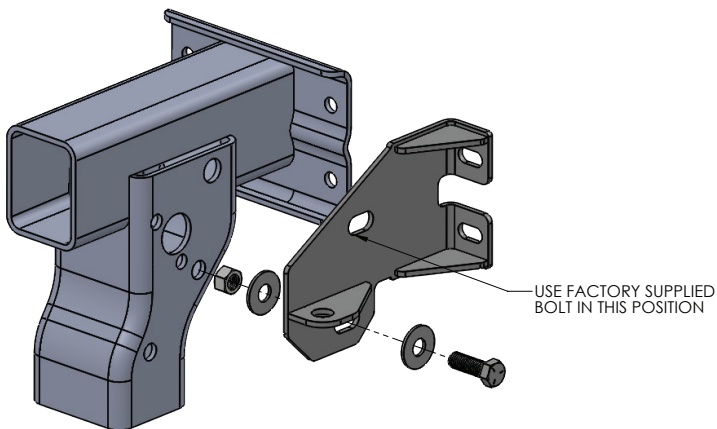
**FRAME TIE-IN BRACKETS**

**\*PLEASE READ THROUGH THE INSTRUCTIONS BEFORE BEGINNING ANY PART OF THE INSTALLATION PROCESS\***

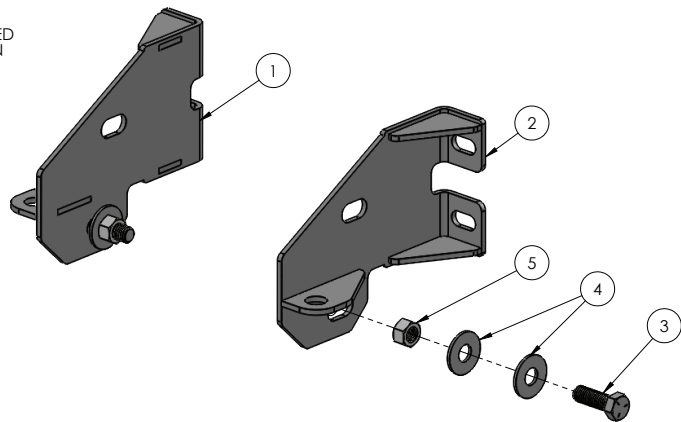


**WEB INSTALL LINK:**

**<http://lodoffroad.com/assets/pdfs/JFT1801.pdf>**



ITEM NO.	PART NUMBER	DESCRIPTION	QTY.
1	4JFT1801-02	JEEP JL FRONT BUMPER FRAME TIE IN BRACKET - DS	1
2	4JFT1801-01	JEEP JL FRONT BUMPER FRAME TIE IN - PS	1
3	HB501324ZPGR5	HEX BOLT 1/2-13 X 1.50 HEX BOLT ZINC PLATE GR5	2
4	FW5022ZP	FLAT WASHER Ø1/2" X 1.375" ZINC PLATE	4
5	HN5013ZPGR5	HEX NUT 1/2-13 ZINC PLATE GR5	2



UNLESS OTHERWISE SPECIFIED:	NAME	DATE	LOD LLC.	
DIMENSIONS ARE IN INCHES	DRAWN	MCH	4/11/2019	
TOLERANCES: ±0.010	CHECKED			DESCRIPTION:
ANGULAR: MACH ±1°	ENG APPR.			JEEP JL FRAME TIE IN BRACKETS
TWO PLACE DECIMAL ±0.015	MFG APPR.			
THREE PLACE DECIMAL ±0.005				
<b>PROPRIETARY AND CONFIDENTIAL</b>	MATERIAL:			DWG. NO.
THE INFORMATION CONTAINED IN THIS DRAWING IS THE SOLE PROPERTY OF LOD LLC. ANY REPRODUCTION IN PART OR AS A WHOLE WITHOUT THE WRITTEN PERMISSION OF LOD LLC IS PROHIBITED.	N/A			JFT1801
	FINISH:			REV
	BLACK POWDER COAT			A
	ECCO:			SCALE: 1:3
				SHEET SIZE: B
				SHEET 1 OF 1



**JL - Frame Tie-In  
Brackets**

SHIPPING SHEET

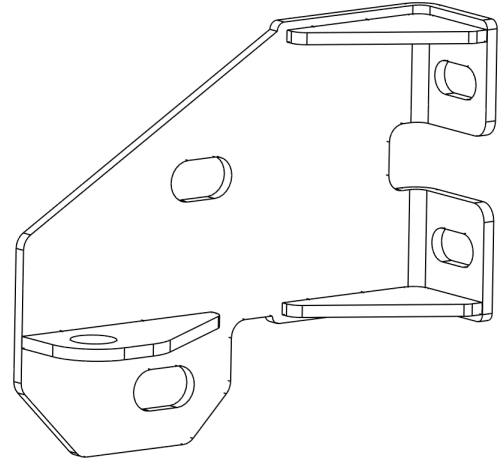
Packaged by:

\_\_\_\_\_

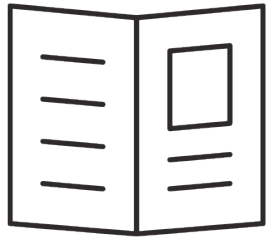
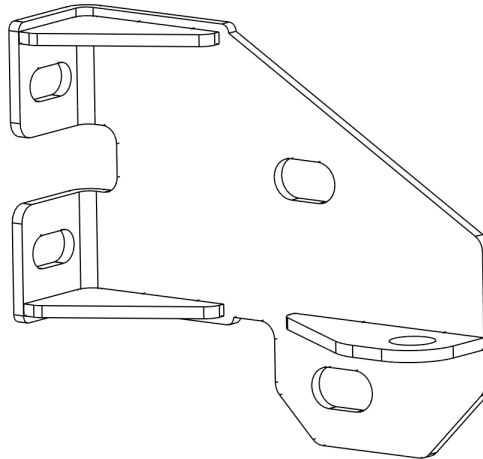
On:

\_\_\_\_\_

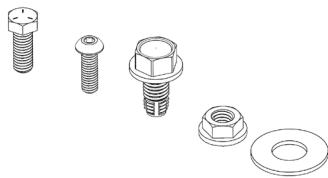
Frame Tie-In  
Bracket - Passenger  
**(x1)**



Frame Tie-In  
Bracket - Driver  
**(x1)**



Instruction Booklet



BOLT KIT  
(may vary)





**JL - Frame Tie-In  
Brackets**

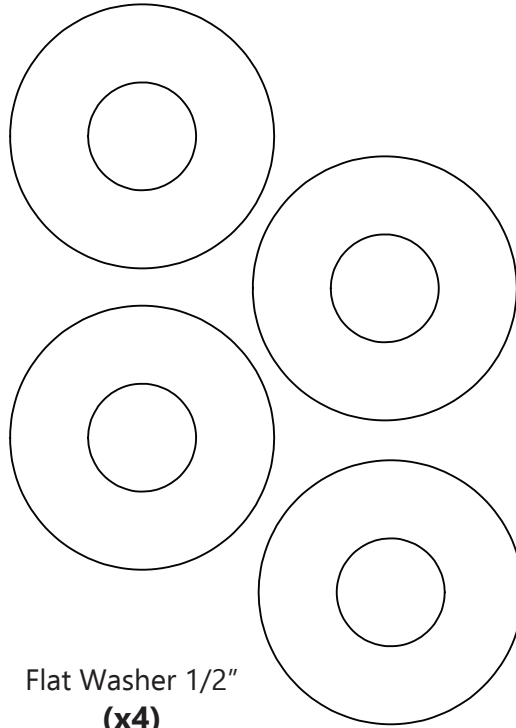
**Bolt Kit**

Packaged by:

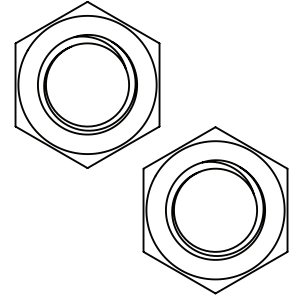
\_\_\_\_\_

On:

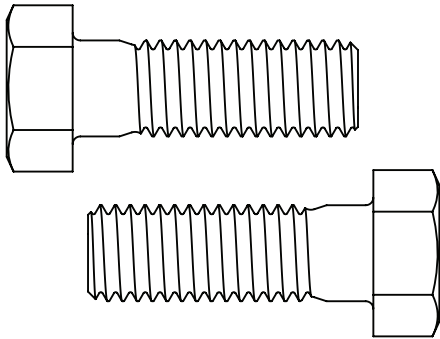
\_\_\_\_\_



Flat Washer 1/2"  
**(x4)**



Hex Nut  
1/2"-13  
**(x2)**



Hex Bolt  
1/2"-13 x 1.5"  
**(x2)**

