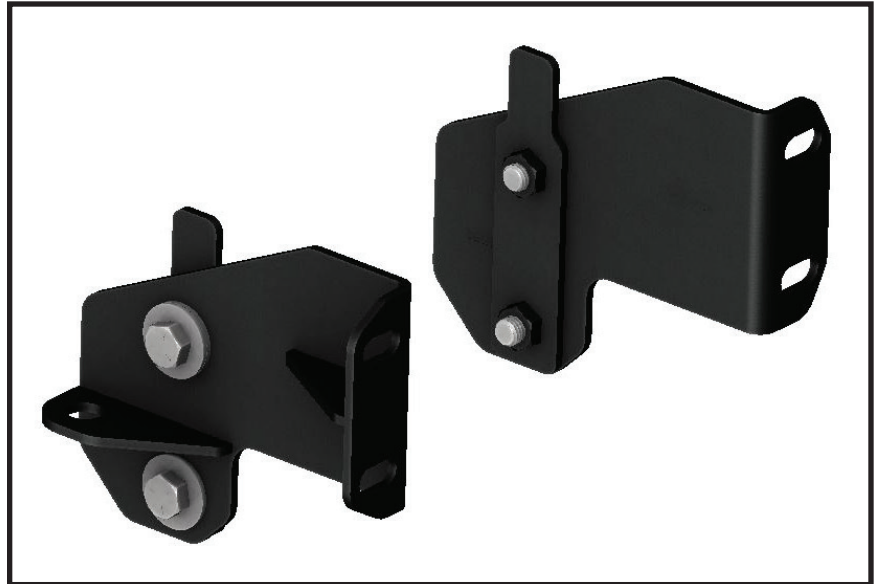




**JK**

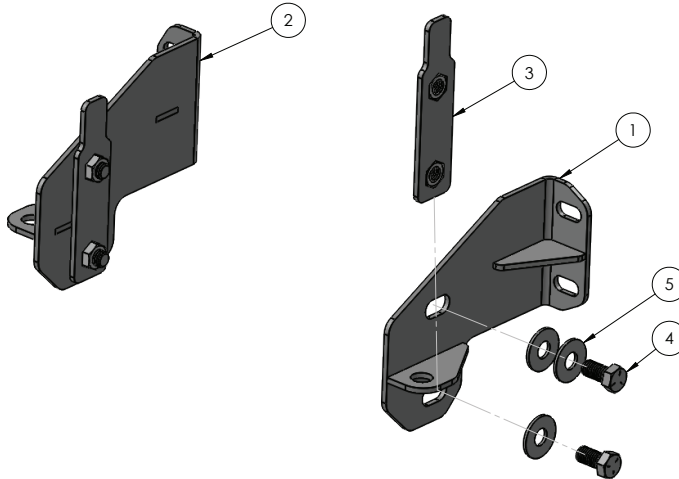
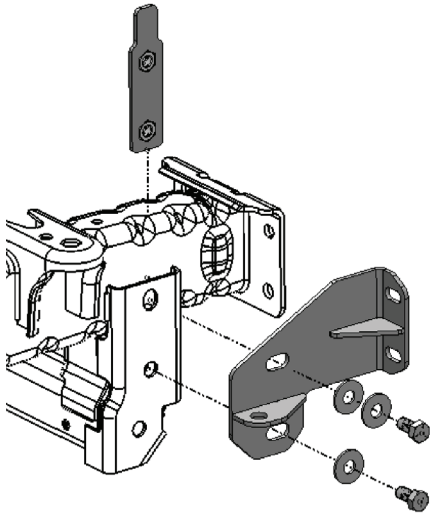
**FRAME TIE-IN BRACKETS**

**\*PLEASE READ THROUGH THE INSTRUCTIONS BEFORE BEGINNING ANY PART OF THE INSTALLATION PROCESS\***



**WEB INSTALL LINK:**

<http://lodoffroad.com/assets/pdfs/JFT0701.pdf>



ITEM NO.	PART NUMBER	DESCRIPTION	QTY.
1	4JFT0701-01	JK FRONT FRAME TIE IN WELDMENT - PS	1
2	4JFT0701-02	JK FRONT FRAME TIE IN WELDMENT - DS	1
3	4JFT0701-03	JEEP JK FRONT BUMPER FRAME TIE IN FLAG NUT	2
4	HB501316ZPGR5	HEX BOLT 1/2-13 X 1.00 HEX BOLT ZINC PLATE GR5	4
5	FW5022ZP	FLAT WASHER Ø1/2" X 1.375" ZINC PLATE	6

UNLESS OTHERWISE SPECIFIED:	NAME	DATE	LOD LLC.
DIMENSIONS ARE IN INCHES	MCH	3/21/19	
TOLERANCES: ±0.010	CHECKED		DESCRIPTION: JEEP JK FRONT BUMPER FRAME TIE IN BRACKETS
ANGULAR: MACH21*	ENG APPR.		
TWO PLACE DECIMAL ±0.015	MFG APPR.		
THREE PLACE DECIMAL ±0.005			
PROPRIETARY AND CONFIDENTIAL	MATERIAL:		DWG. NO.
THE INFORMATION CONTAINED IN THIS DRAWING IS THE SOLE PROPERTY OF LOD LLC. ANY REPRODUCTION IN PART OR AS A WHOLE WITHOUT THE WRITTEN PERMISSION OF LOD LLC IS PROHIBITED.	N/A		JFT0701
	FINISH:		REV
	BLACK POWDER COAT		A
	ECCO:		SCALE: 1:3
			SHEET SIZE: B
			SHEET 1 OF 1



**JK - Frame Tie-In  
Brackets**

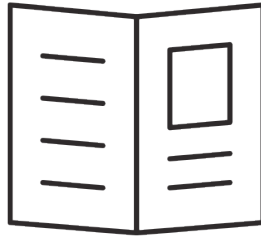
SHIPPING SHEET

Packaged by:

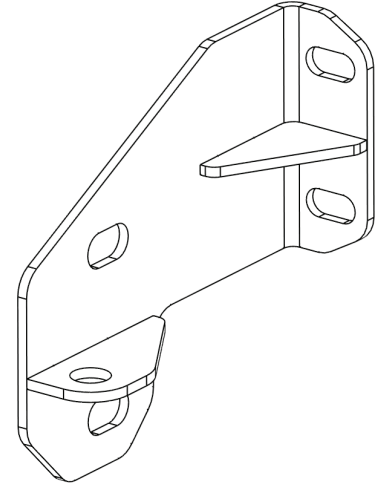
\_\_\_\_\_

On:

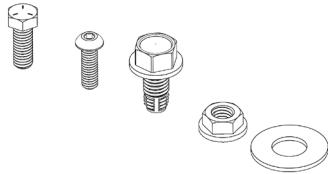
\_\_\_\_\_



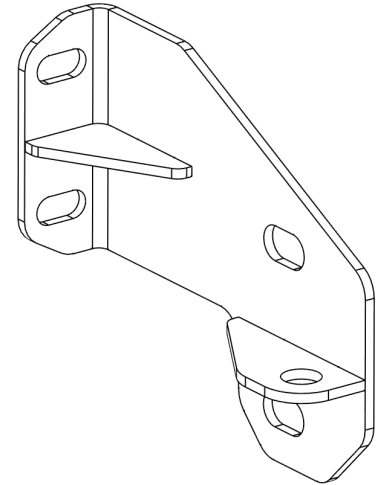
Instruction Booklet



Frame Tie-In  
Bracket - Passenger  
**(x1)**



BOLT KIT  
(may vary)



Frame Tie-In  
Bracket - Driver  
**(x1)**





**JK - Frame Tie-In  
Brackets**

Bolt Kit

Packaged by:

\_\_\_\_\_

On:

\_\_\_\_\_

