



DESTROYER SERIES

JK

JL

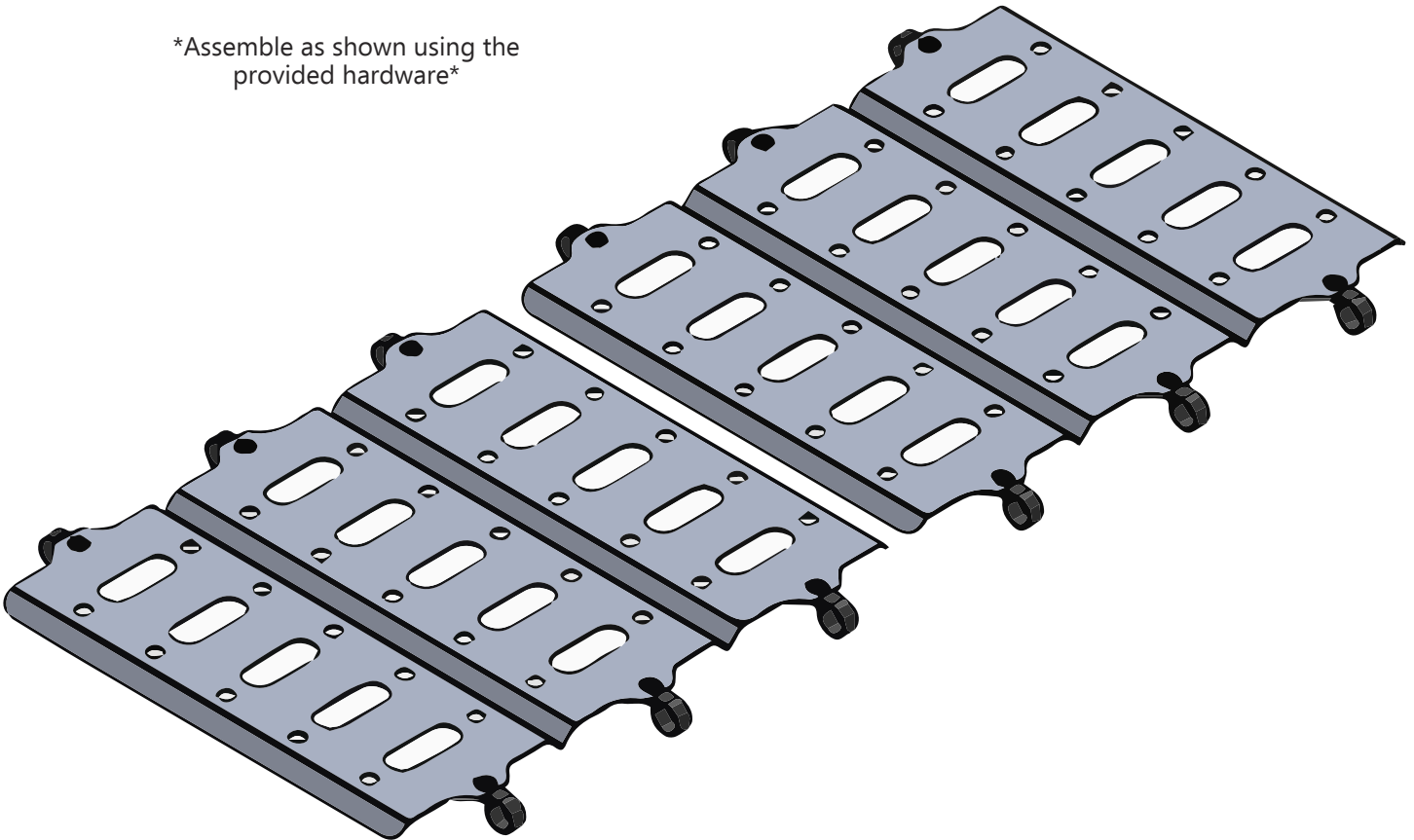
ROOF RACK
ALUMINUM FLOOR KIT
(2 PCS)



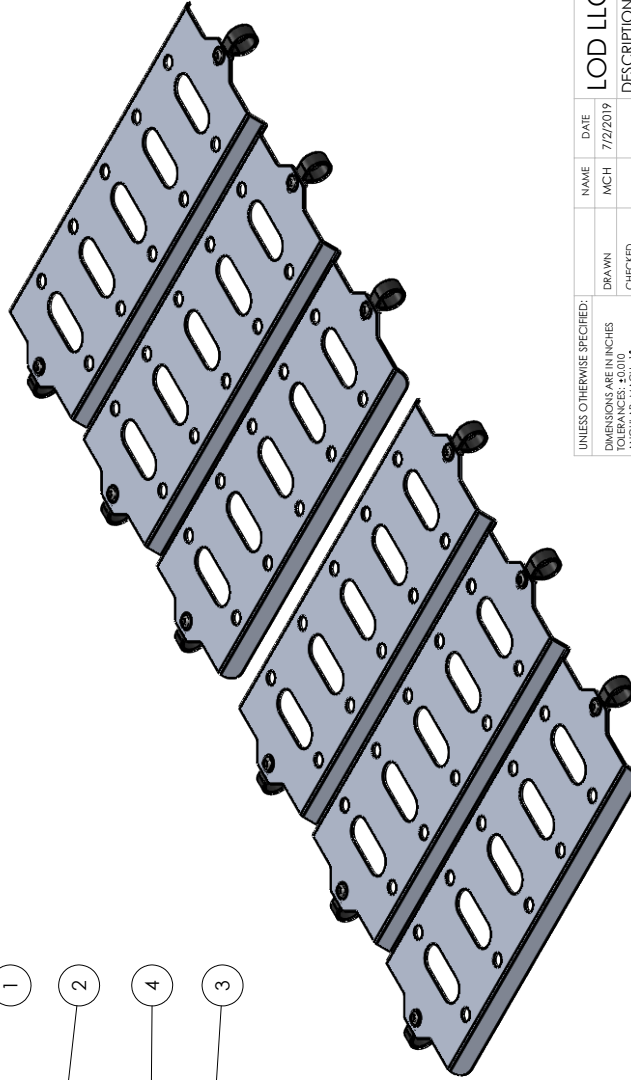
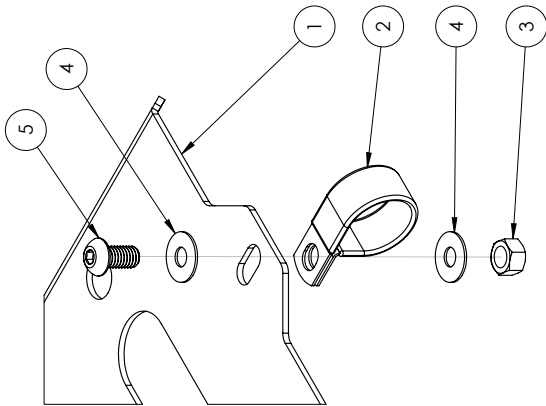
WEB LINK: http://lodoffroad.com/assets/pdfs/JFK0709_2_PIECE_FLOOR_KIT.pdf


VERIFY YOU HAVE ALL THE COMPONENTS BEFORE STARTING THE INSTALLATION. REFER TO THE ENGINEERING DRAWINGS AT THE END OF THIS DOCUMENT FOR A COMPLETE PARTS LIST

Assemble as shown using the provided hardware



ITEM NO.	PART NUMBER	DESCRIPTION	QTY.
1	2JFK0790-01	ROOF RACK ALUMINUM FLOOR PANEL	2
2	WL1001	TUBE CLAMP, 1.25" ID	12
3	HN3816ZPGR5	HEX NUT 3/8-16 ZINC PLATE GR5	12
4	FW3114ZP	FLAT WASHER Ø5/16" X .875" ZINC PLATE	24
5	BHSCS381612ZP	BHSCS 3/8-16 X .75 ZINC PLATE	12

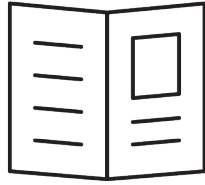


UNLESS OTHERWISE SPECIFIED:		NAME	DATE
DIMENSIONS ARE IN INCHES	DRAWN	MCH	7/2/2019
ANGULAR: MACH 1°	CHECKED		
TWO PLACE DECIMAL ±0.015	ENG APPR.		
THREE PLACE DECIMAL ±0.005	MFG APPR.		
PROPRIETARY AND CONFIDENTIAL THE INFORMATION CONTAINED IN THIS DRAWING IS THE SOLE PROPERTY OF LOD LLC. ANY REPRODUCTION OR TRANSMISSION OF THIS DRAWING IN ANY MANNER WITHOUT THE WRITTEN PERMISSION OF LOD LLC IS PROHIBITED.		 LOD LLC. DESCRIPTION: ALUMINUM FLOOR KIT (2 PIECE)	
MATERIAL: N/A FINISH: BLACK POWDER COAT		DWG. NO. JFK0790	
		SCALE: 1:6	SHEET SIZE: B
			REV A
			SHEET 1 OF 1

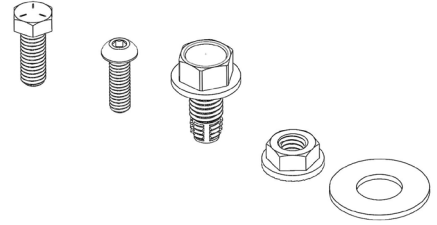


JK/JL Jeep
DESTROYER SERIES
ROOF RACK
ALUMINUM FLOOR KIT
(2 PCS)
SHIPPING SHEET
Packaged by:

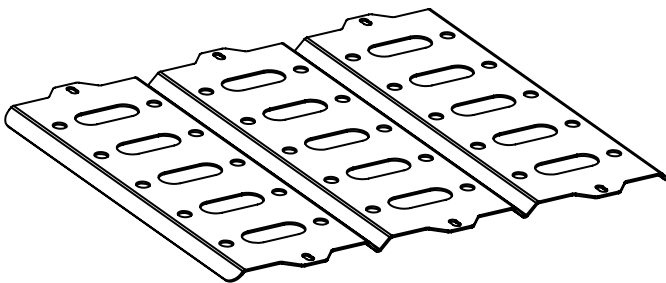
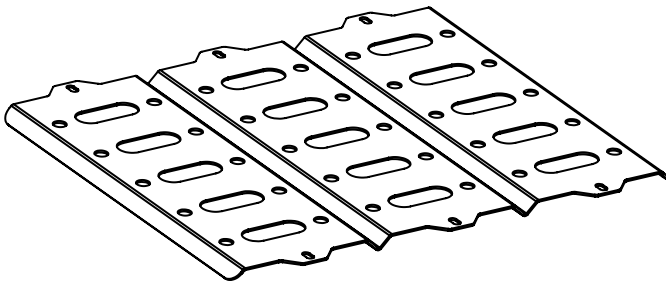
On:



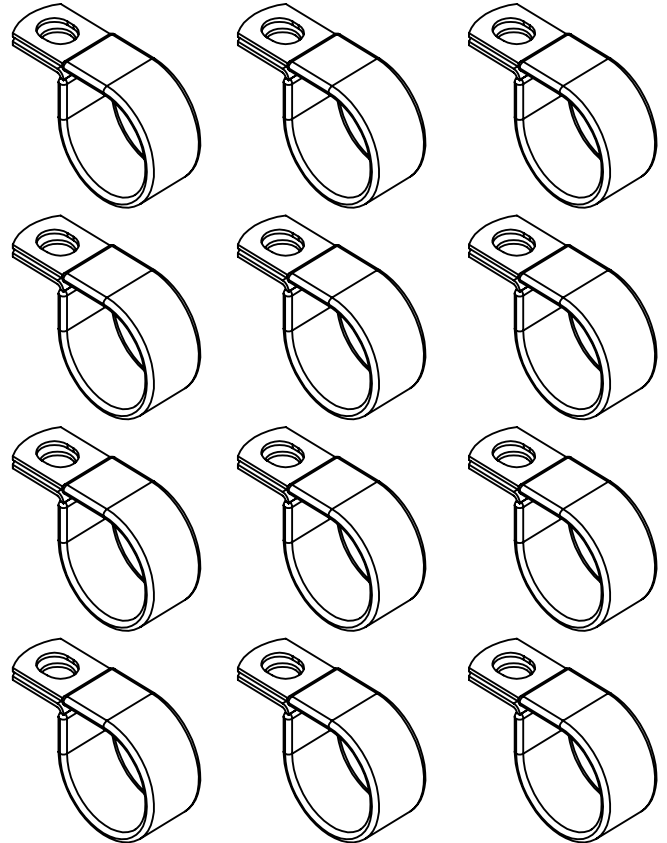
Instruction
Booklet



BOLT KIT
(may vary)



ROOF RACK
ALUMIMUN FLOOR PANEL
2JFK0790-01
(x2)



TUBE CLAMP 1.25" ID
WL1001
(x12)

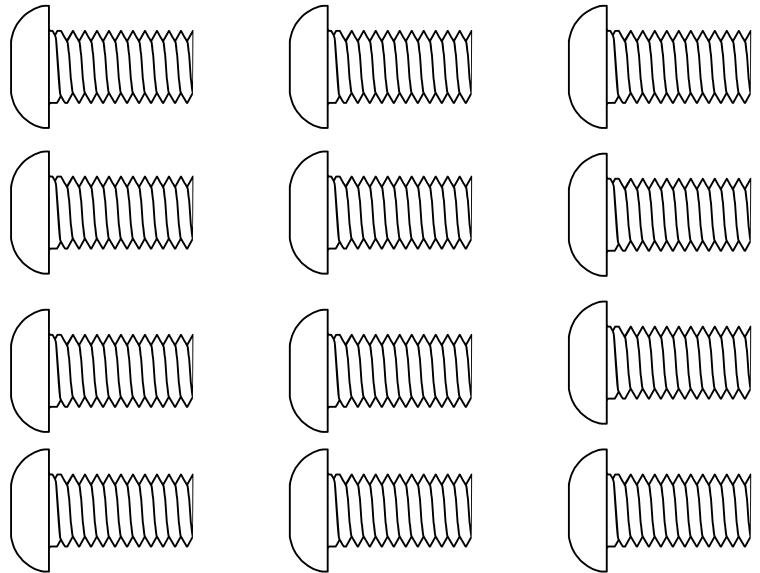




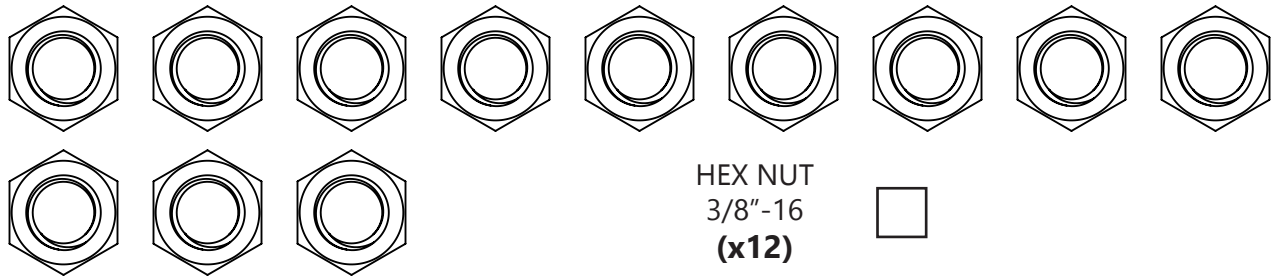
JK/JL Jeep
DESTROYER SERIES
ROOF RACK
ALUMINUM FLOOR KIT
(2 PCS)
BOLT KIT

Packaged by:

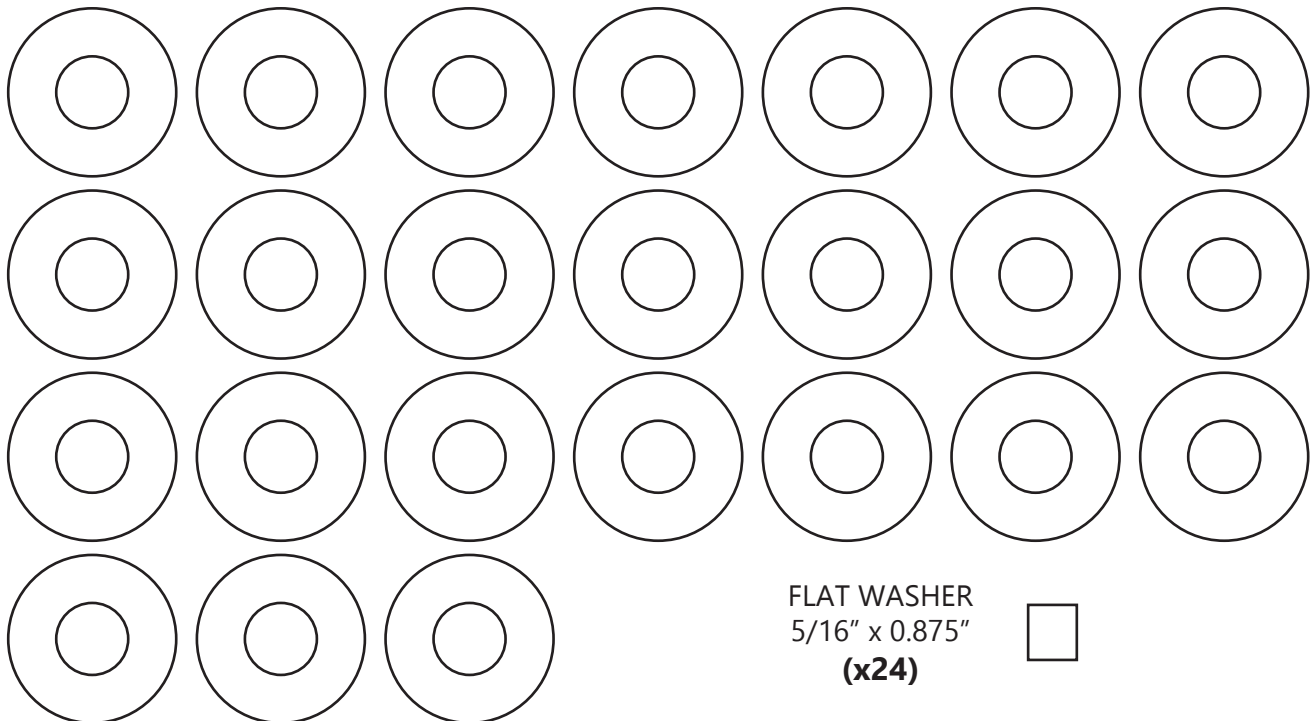
On:



BUTTON HEAD SCREW
3/8" -16 x .75"
(x12)



HEX NUT
3/8" -16
(x12)



FLAT WASHER
5/16" x 0.875"
(x24)

