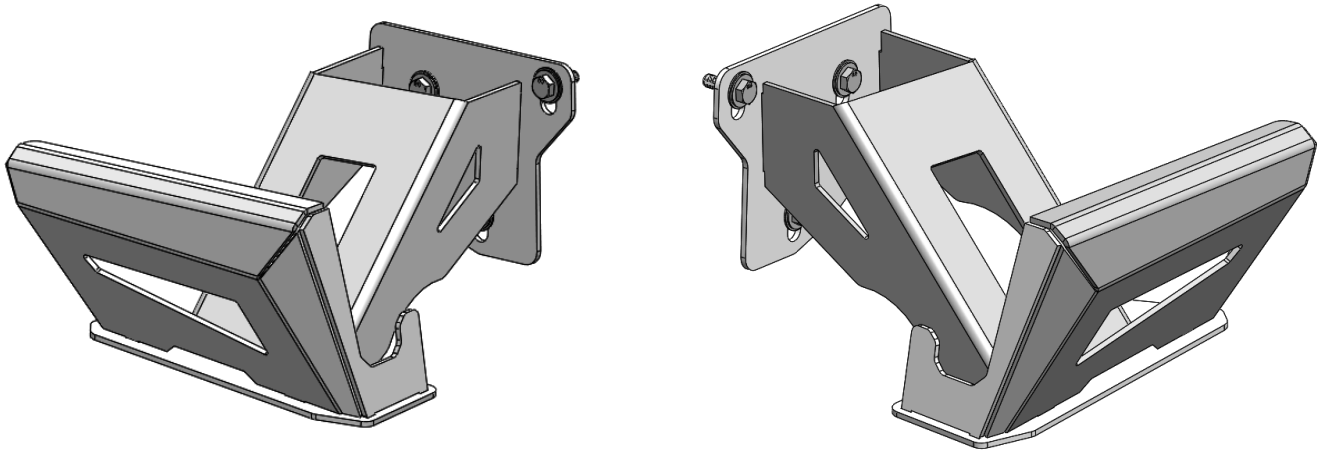



DESTROYER SERIES
JT
JEEP JT DESTROYER BED
SLIDERS



WEB LINK: <http://lodoffroad.com/assets/pdfs/JBS2060 JT DESTROYER BED SLIDERS.pdf>

VERIFY YOU HAVE ALL THE COMPONENTS BEFORE STARTING THE INSTALLATION. REFER TO THE ENGINEERING DRAWINGS AT THE END OF THIS DOCUMENT FOR A COMPLETE PARTS LIST



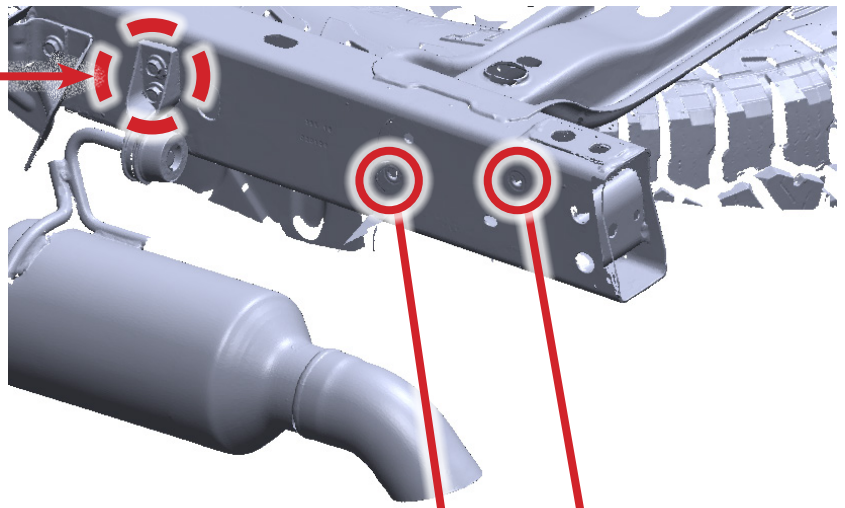
*****Be sure to read through the entire instructions before starting your installation!*****

Refer to the Engineering drawing included with this document for the correct hardware required at each step of the installation.

Install the passenger and driver side Bed Sliders as shown. On the driver side you will need to rotate the bed slider up into place to get around the tail pipe.

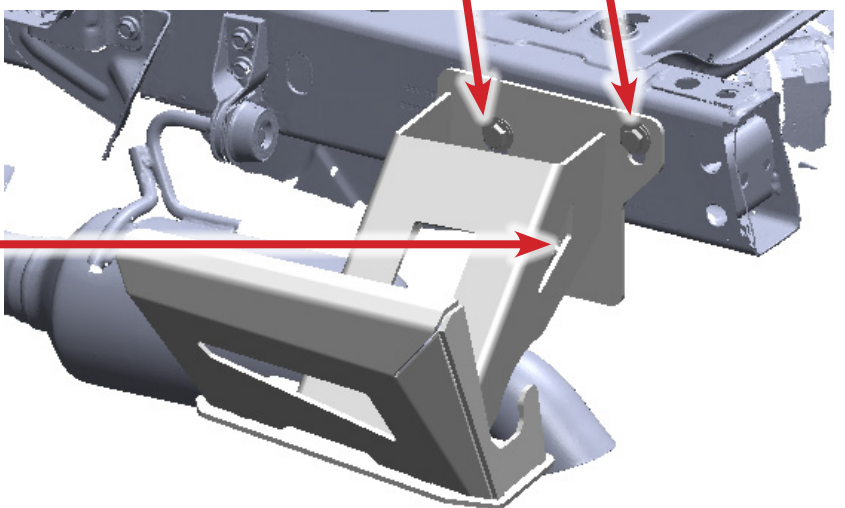


Depending on your Jeep it may be necessary to temporarily remove the isolator mount shown here to get your Bed Slider into position. **Dont forget to reinstall the isolator mount when you are finished!**

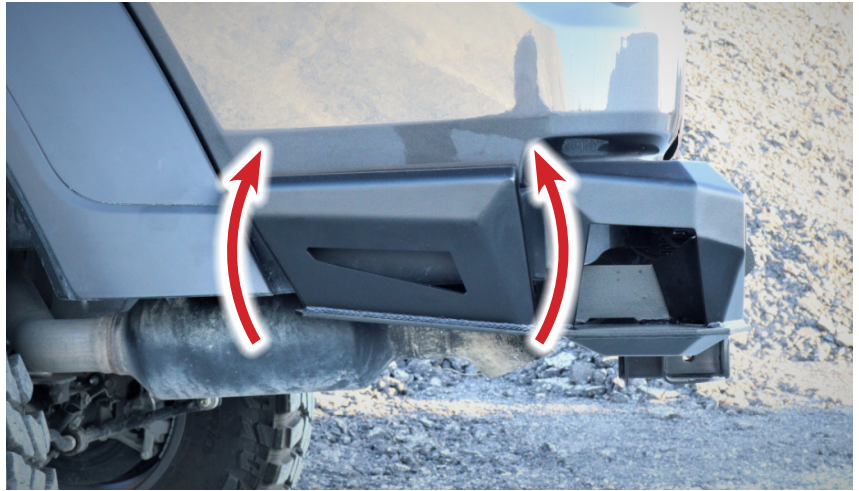


Mount the Bed Sliders to the frame using the M10 Hex Bolts and Washers in the two upper positions.

Mount the Bed Slider to the hitch bracket in the lower position using the M10 Hex Bolt, Washers and Nut.



Rotate and position the Bed Slider to match the rear bumper and angle of the bed. Tighten each bolt evenly.



****Maintenance****

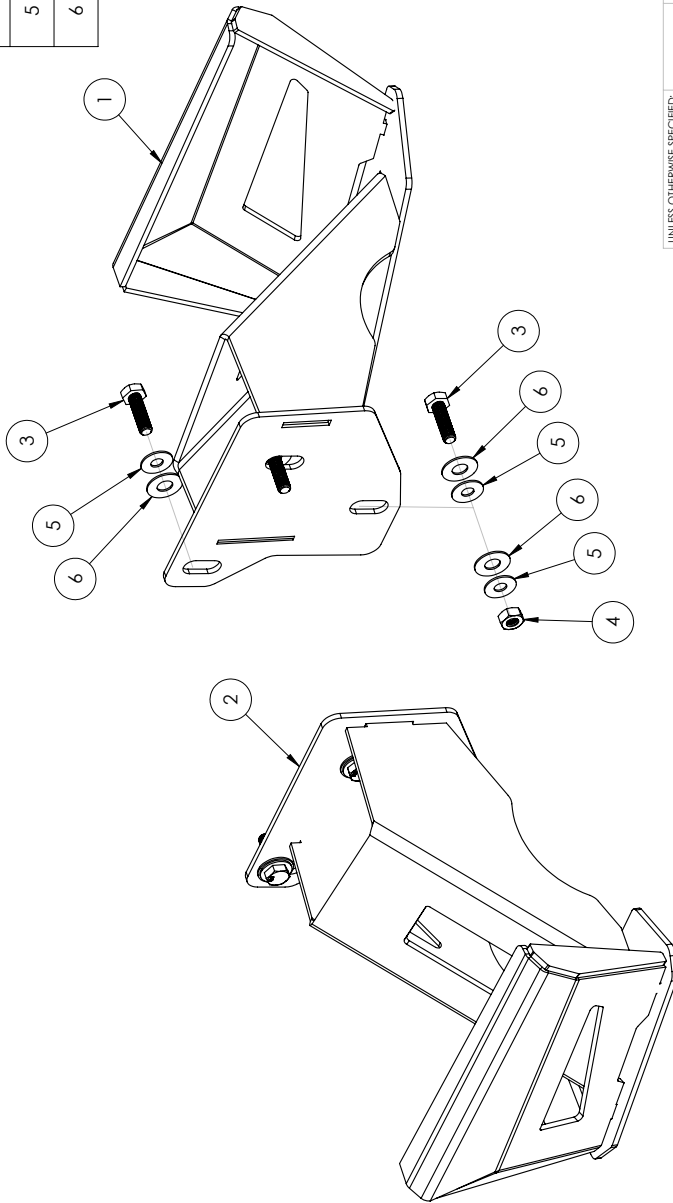
- Periodically check and re-tighten all fasteners.
- Periodically check your sliders for scratches or dings which can happen over time or after heavy use or highway driving. It is important to address these areas as soon as possible to prevent flaking and corrosion or rust from spreading. We recommend using Rustoleum® brand Black Semi-Gloss Protective Enamel (oil based). Remove loose powder coating, sand the area and clean using alcohol. Apply using a foam brush by dabbing to match the powder coat texture.



ITEM NO.	PART NUMBER	DESCRIPTION	QTY.
1	4JBS2000-01	BEDSLIDER WELDMENT - DS	1
2	4JBS2000-02	BEDSLIDER WELDMENT - PS	1

HARDWARE

ITEM NO.	PART NUMBER	DESCRIPTION	QTY.
3	HB10150M35ZPC188	HEX BOLT M10-1.50 x 35mm ZINC PLATE CL8.8	6
4	HN10150MZPGR5	HEX NUT M10 X 1.50mm ZINC PLATE GR5	2
5	FW3816ZP	FLAT WASHER Ø3/8" X 1.00 ZINC PLATE	8
6	FW4318ZP	FLAT WASHER Ø7/16 X 1.25" ZINC PLATED	8



- NOTES:**
1. JBS2060 = BARE STEEL OPTION
2. JBS2061 = BLACK POWDER COAT OPTION

UNLESS OTHERWISE SPECIFIED: DIMENSIONS ARE IN INCHES TOLERANCES: ±0.010 ANGULAR: MACH ±1° TWO PLACE DECIMAL THREE PLACE DECIMAL ±0.003	NAME MCH	DATE 11/3/2020
DRAWN	LOD LLC.	
CHECKED	DESCRIPTION: JEEP JT BED SLIDERS	
ENG APPR.		
MFG APPR.		
MATERIAL N/A	DWG. NO. JBS2060 JBS2061	REV A
PROPRIETARY AND CONFIDENTIAL THE INFORMATION CONTAINED IN THIS DRAWING IS THE SOLE PROPERTY OF LOD LLC. ANY REPRODUCTION IN PART OR AS A WHOLE WITHOUT THE WRITTEN PERMISSION OF LOD LLC IS PROHIBITED.	SCALE: 1:3.5	SHEET SIZE: B
		SHEET 1 OF 1

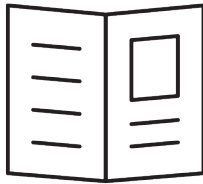




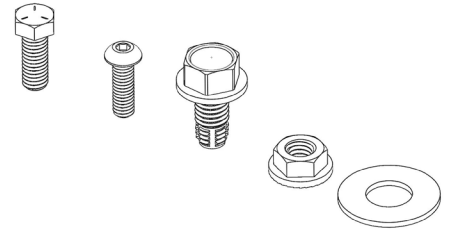
JT Jeep
DESTROYER SERIES
JEEP JT BED SLIDERS
SHIPPING SHEET

Packaged by:

On:



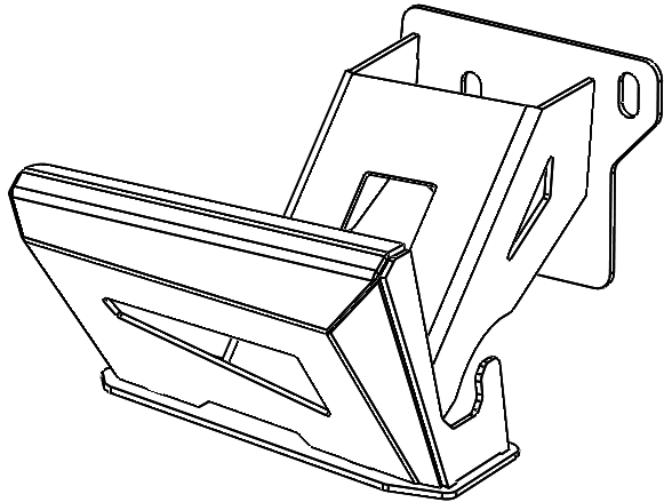
Instruction
Booklet



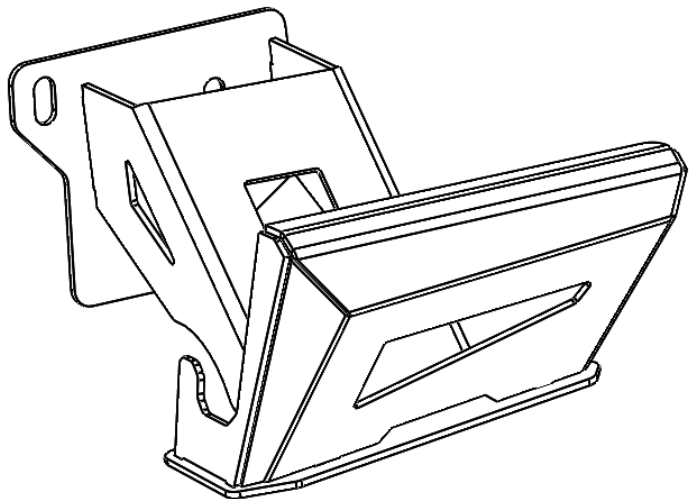
BOLT KIT
(may vary)



BED SLIDER WELDMENT - DS
4JBS2000-01
(x1)



BED SLIDER WELDMENT - PS
4JBS2000-02
(x1)

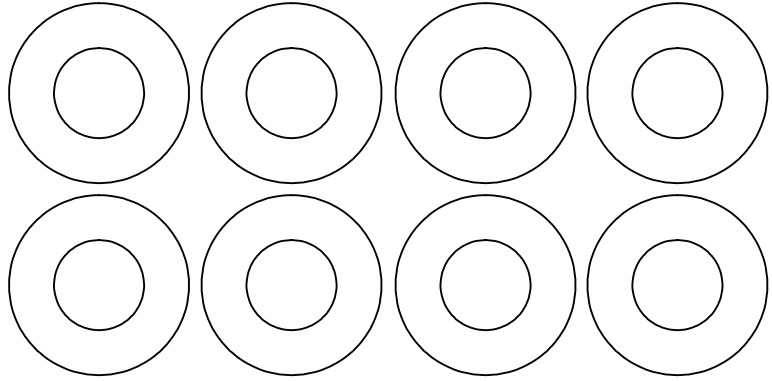




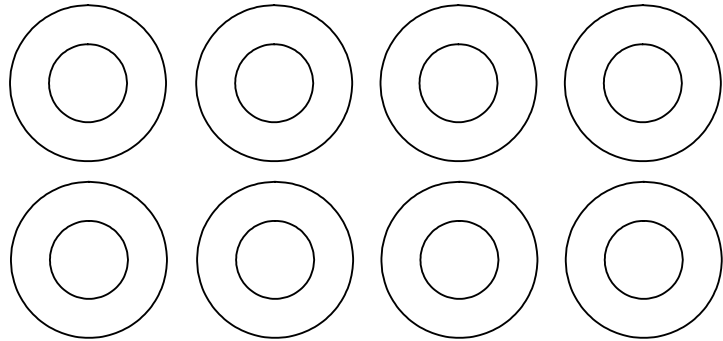
JT Jeep
DESTROYER SERIES
 JEEP JT BED SLIDERS
 BOLT KIT

Packaged by:

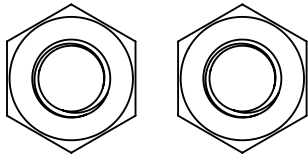
On:



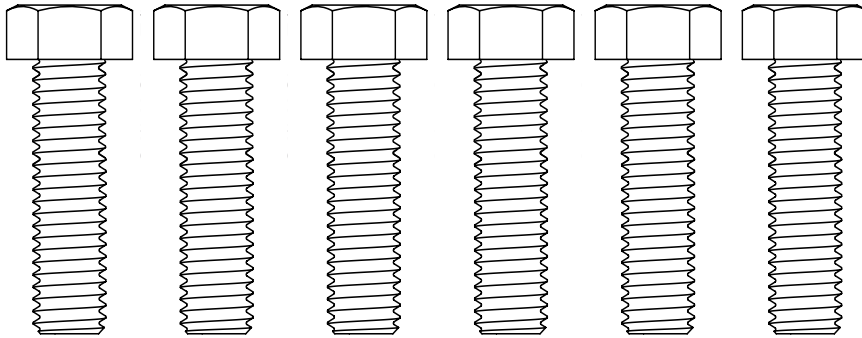
FLAT WASHER
 Ø7/16 X 1.25
(x8)



FLAT WASHER
 Ø3/8 X 1.00
(x8)



HEX NUT M10 X 1.50MM
(x2)



HEX BOLT M10-1.5MM X
 35MM LG
(x6)

