

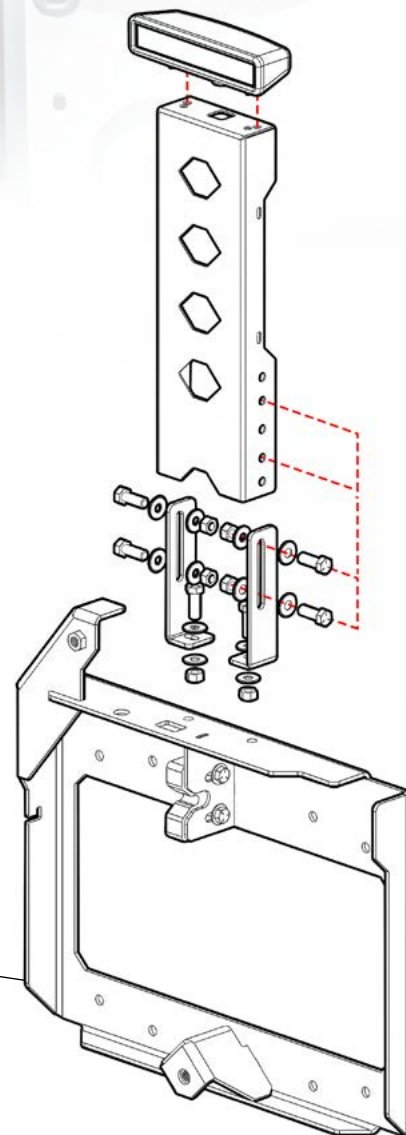


DESTROYER SERIES



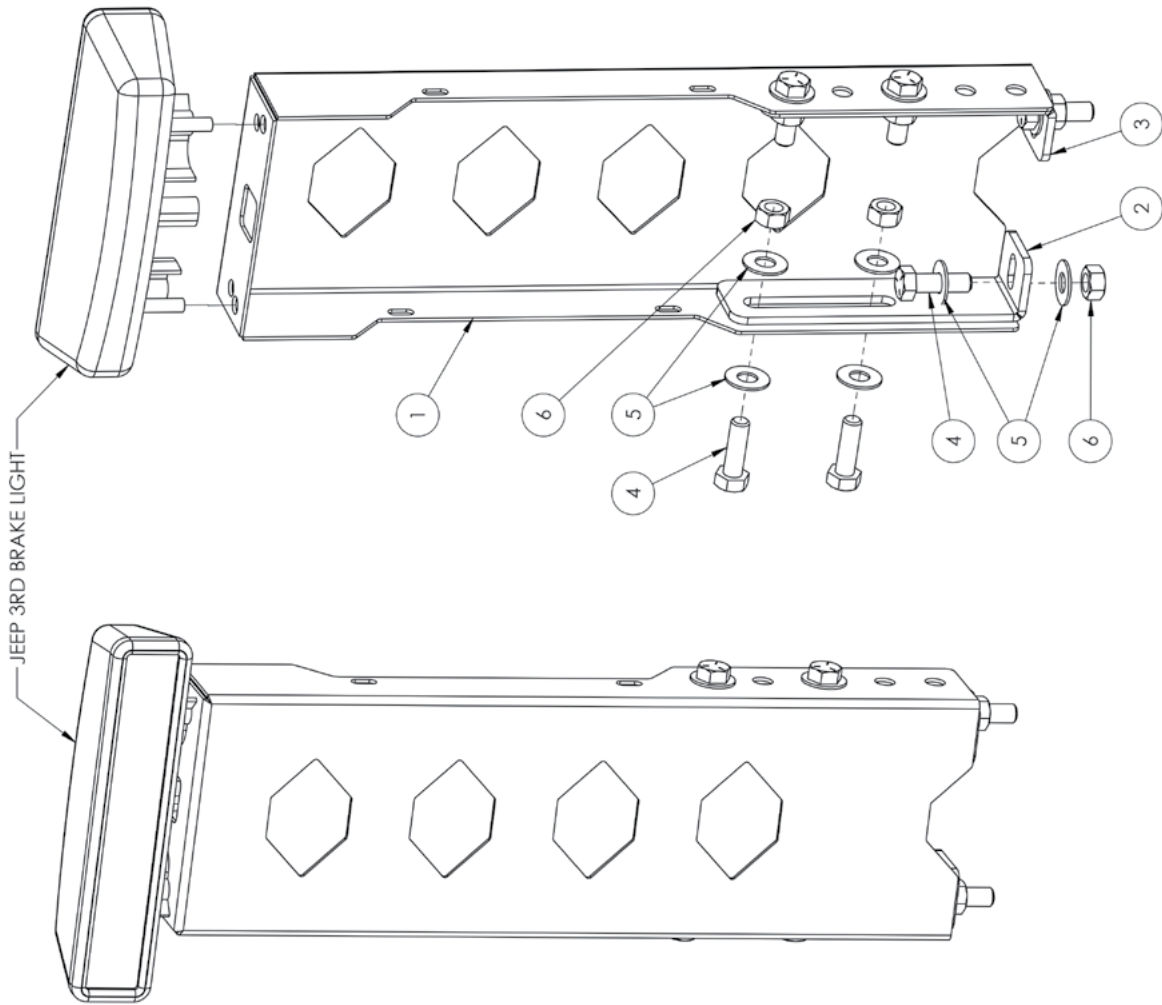
THIRD
BRAKE LIGHT
EXTENSION

***PLEASE READ THROUGH THE
INSTRUCTIONS BEFORE BEGINNING
ANY PART OF THE INSTALLATION
PROCESS***



*Assemble as shown
using the provided
hardware*

Door plate not included



ITEM NO.	PART NUMBER	FINISH	DESCRIPTION	QTY.
1	2JBL1800-01	BS/BP	JEEP JL 3rd BRAKE LIGHT MOUNT	1

HARDWARE KIT

ITEM NO.	PART NUMBER	FINISH	DESCRIPTION	QTY.
2	2JTC1001-49	BP	MOUNTING BRACKET	1
3	2JTC1001-48	BP	MOUNTING BRACKET	1
4	HB311816ZPGR5		HEX BOLT 5/16-18 X 1.00 ZINC PLATE GR5	6
5	FW3112ZP		FLAT WASHER Ø5/16" X .75" ZINC PLATE	12
6	HN3118ZPGR5		HEX NUT 5/16-18 ZINC PLATE GR5	6

NOTES:

1. JBL1800 = BARE STEEL OPTION
2. JBL1801 = BLACK POWDER COAT OPTION

JEEP JL 3RD BRAKE LIGHT MOUNT

JBL1800

JBL1801



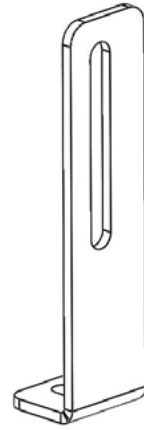
JL Jeep
DESTROYER SERIES
3rd Brake Light Extension
SHIPPING SHEET

Packaged by:

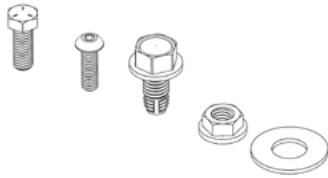
On:



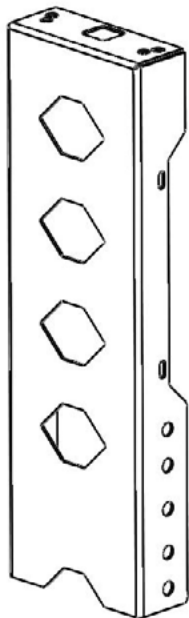
Instruction
Booklet



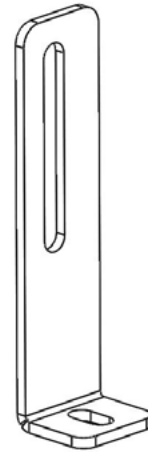
Passenger Mounting
Bracket
(x1)



BOLT KIT
(may vary)



3rd Brake Light
Mount
(x1)



Driver Mounting
Bracket
(x1)

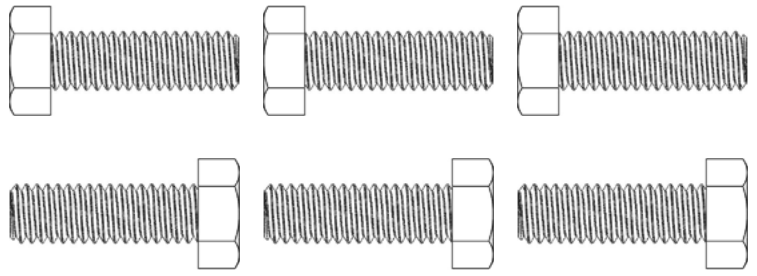




JL Jeep
DESTROYER SERIES
3rd Brake Light Extension
Bolt Kit

Packaged by:

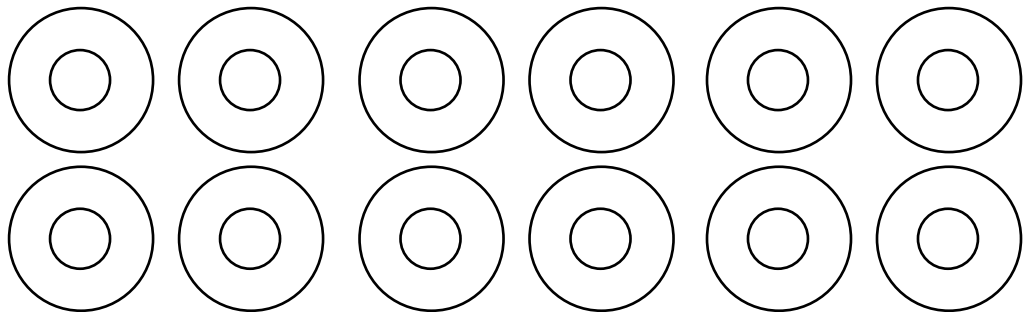
On:



Hex Bolt
5/16"-18 x 1"
(x6)



Hex Nut
5/16"-18
(x6)



Flat Washer
5/16" x 0.75"
(x12)

