

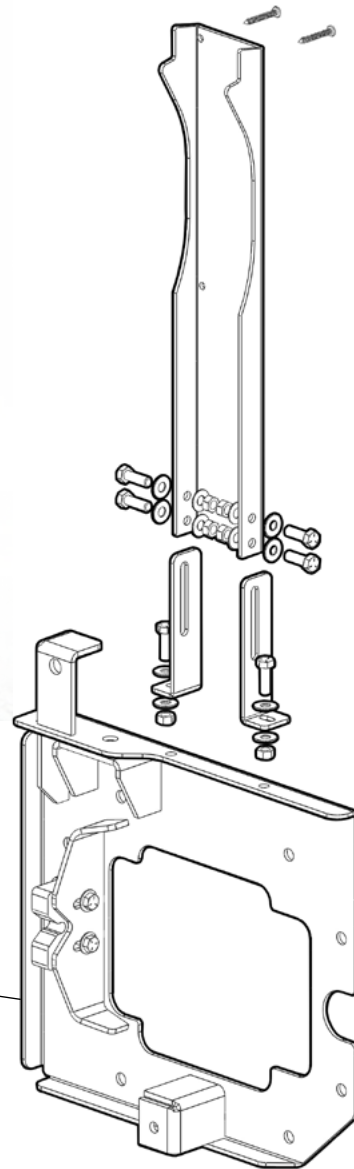


DESTROYER SERIES



THIRD
BRAKE LIGHT
EXTENSION

***PLEASE READ THROUGH THE
INSTRUCTIONS BEFORE BEGINNING
ANY PART OF THE INSTALLATION
PROCESS***



*Assemble as shown
using the provided
hardware*

Door plate not included

ITEM NO.	PART NUMBER	BS/BP	DESCRIPTION	QTY.
1	2JTC1001-50		BRAKE LIGHT ARM	1

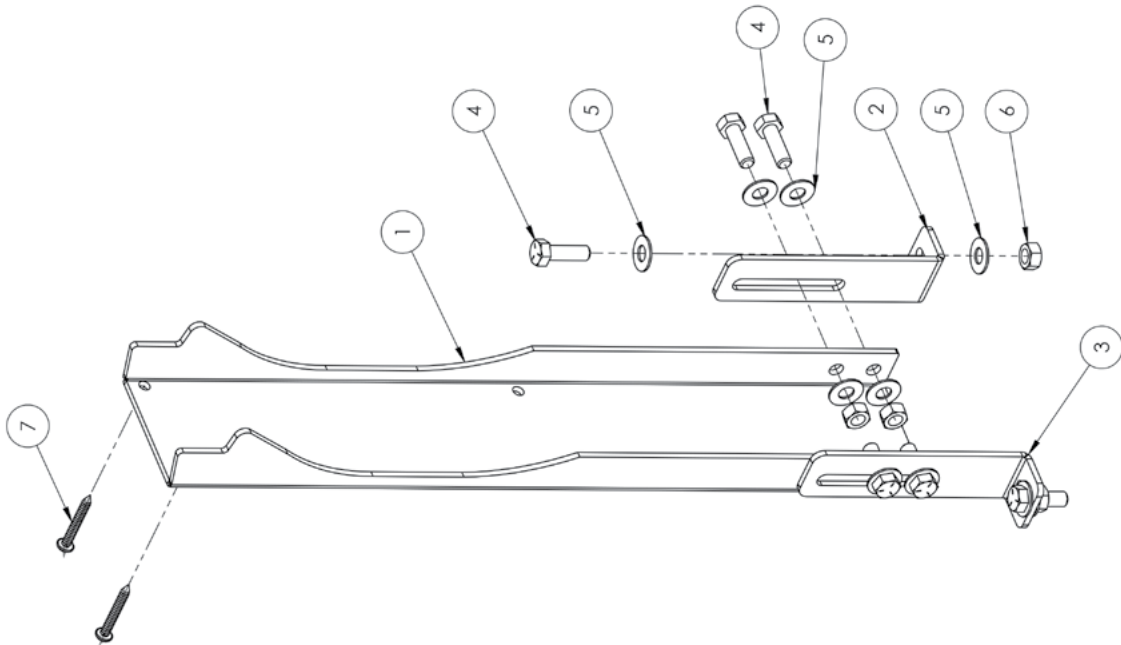
HARDWARE KIT

ITEM NO.	PART NUMBER	BS/BP	DESCRIPTION	QTY.
2	2JTC1001-48	BS/BP	DRIVER SIDE BRACKET	1
3	2JTC1001-49	BS/BP	PASSENGER SIDE BRACKET	1
4	HB311816ZPGR5		HEX BOLT 5/16-18 X 1.00 ZINC PLATE GR5	6
5	FW3112ZP		FLAT WASHER Ø5/16" X .75" ZINC PLATE	12
6	HN3118ZPGR5		HEX NUT 5/16-18 ZINC PLATE GR5	6
7	PH101224SMZP		PAN HEAD #10 X 1.50" SHEET METAL SCREW ZINC PLATE	2

NOTES:

1. JBL0700 = BARE STEEL OPTION
2. JBL0701 = BARE STEEL OPTION

DESTROYER 3RD BRAKE LIGHT MOUNT
JBL0700





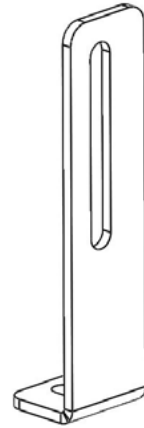
JK Jeep
DESTROYER SERIES
3rd Brake Light Extension
SHIPPING SHEET

Packaged by:

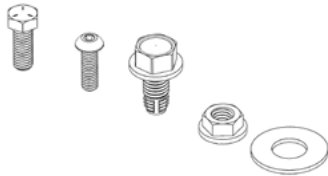
On:



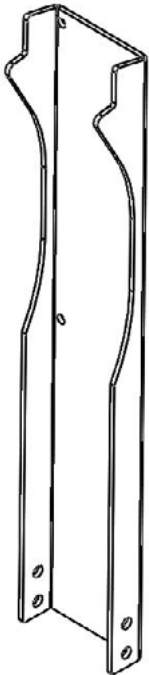
Instruction
Booklet



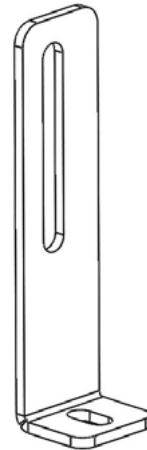
Passenger Mounting
Bracket
(x1)



BOLT KIT
(may vary)



3rd Brake Light
Mount
(x1)



Driver Mounting
Bracket
(x1)



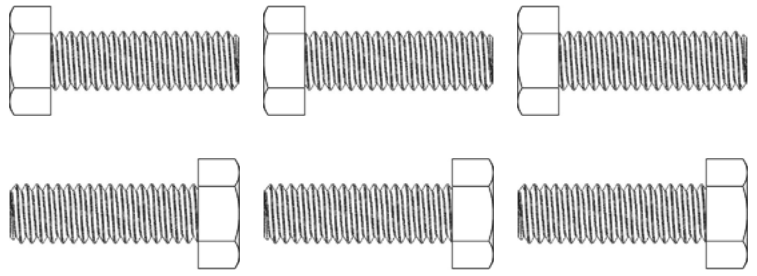


**JK Jeep
DESTROYER SERIES**
3rd Brake Light Extension

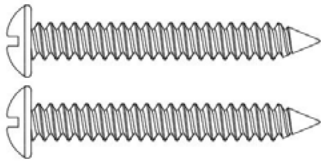
Bolt Kit

Packaged by:

On:



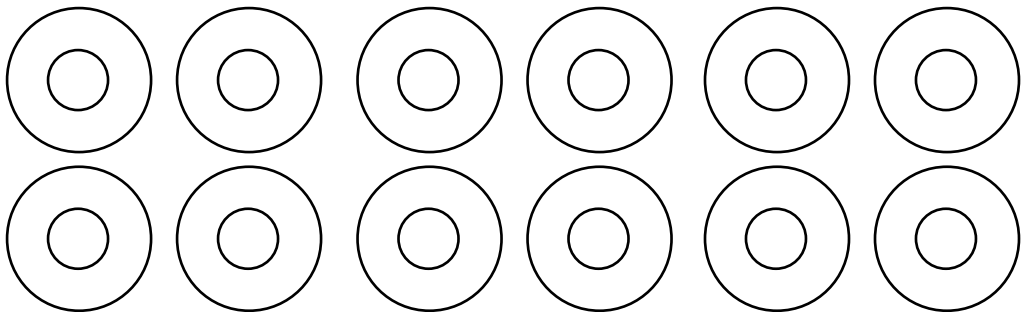
Hex Bolt
5/16"-18 x 1"
(x6)



Panhead Screws
#10 x 1.5"
(x2)



Hex Nut
5/16"-18
(x6)



Flat Washer
5/16" x 0.75"
(x12)

