



DESTROYER SERIES

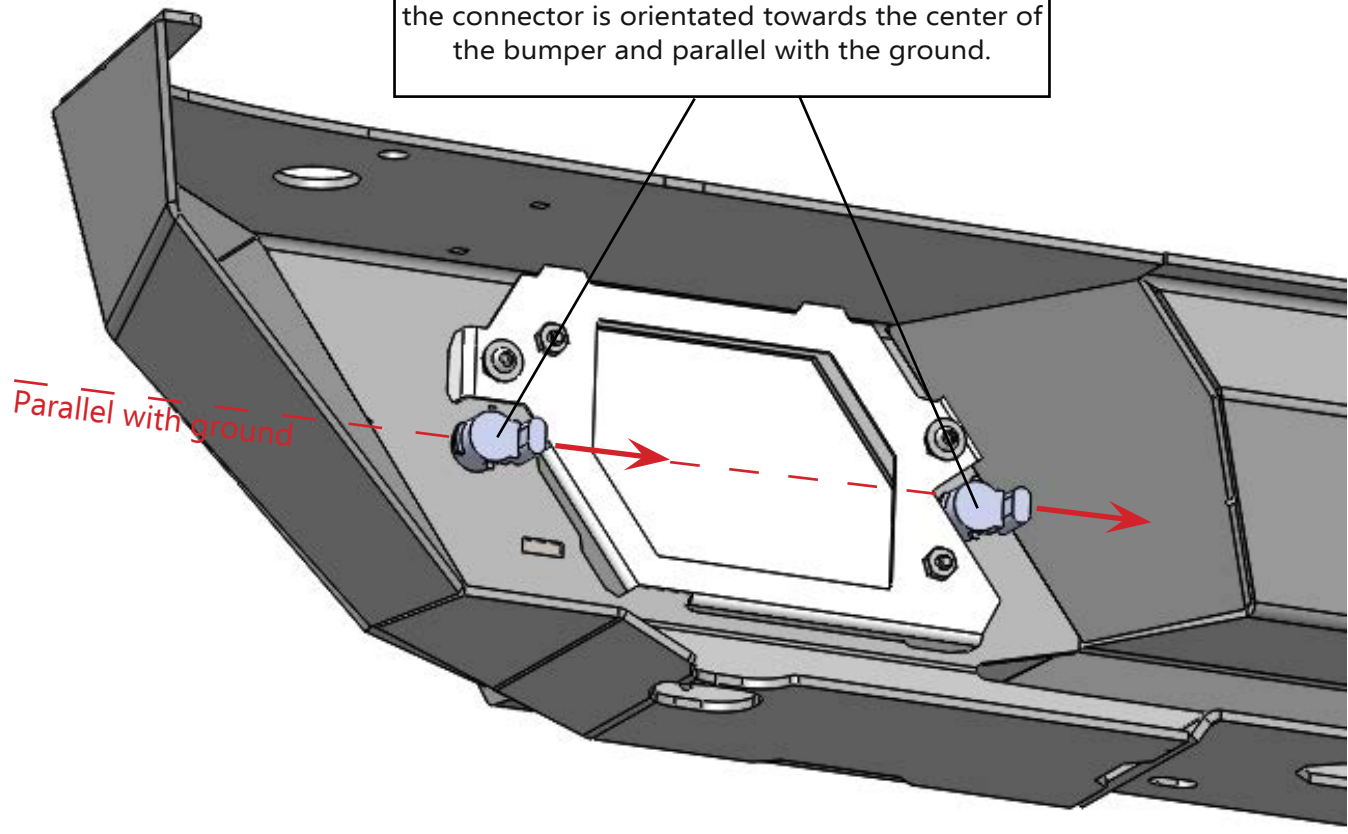
JL JEEP REAR BUMPER

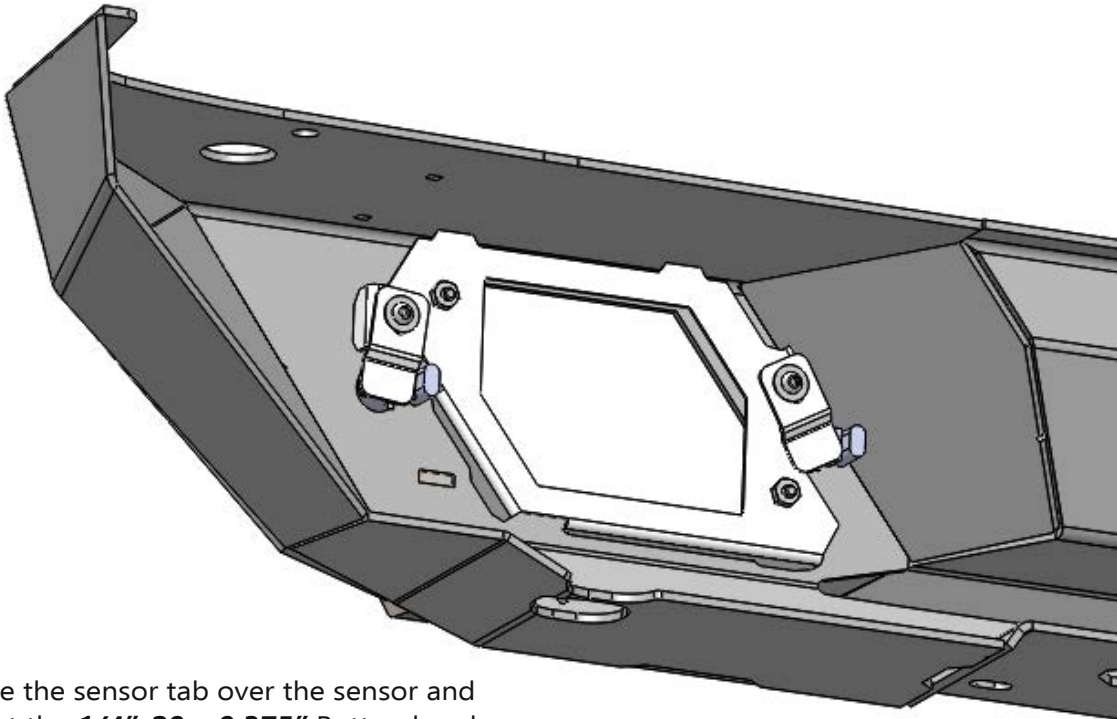
PARKING SENSOR
MOUNT KIT

INSTALLATION INSTRUCTIONS

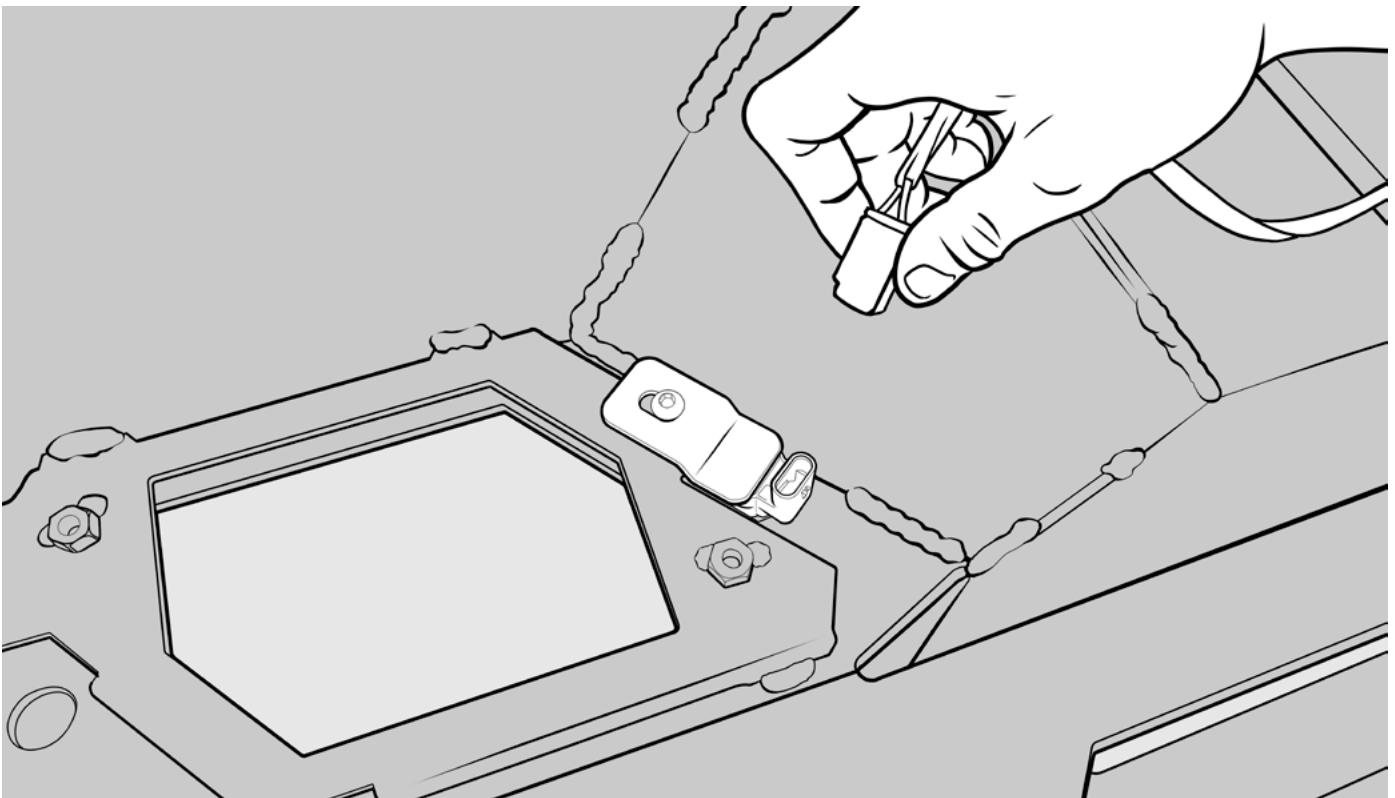


For best results, the sensor should be rotated so the connector is orientated towards the center of the bumper and parallel with the ground.



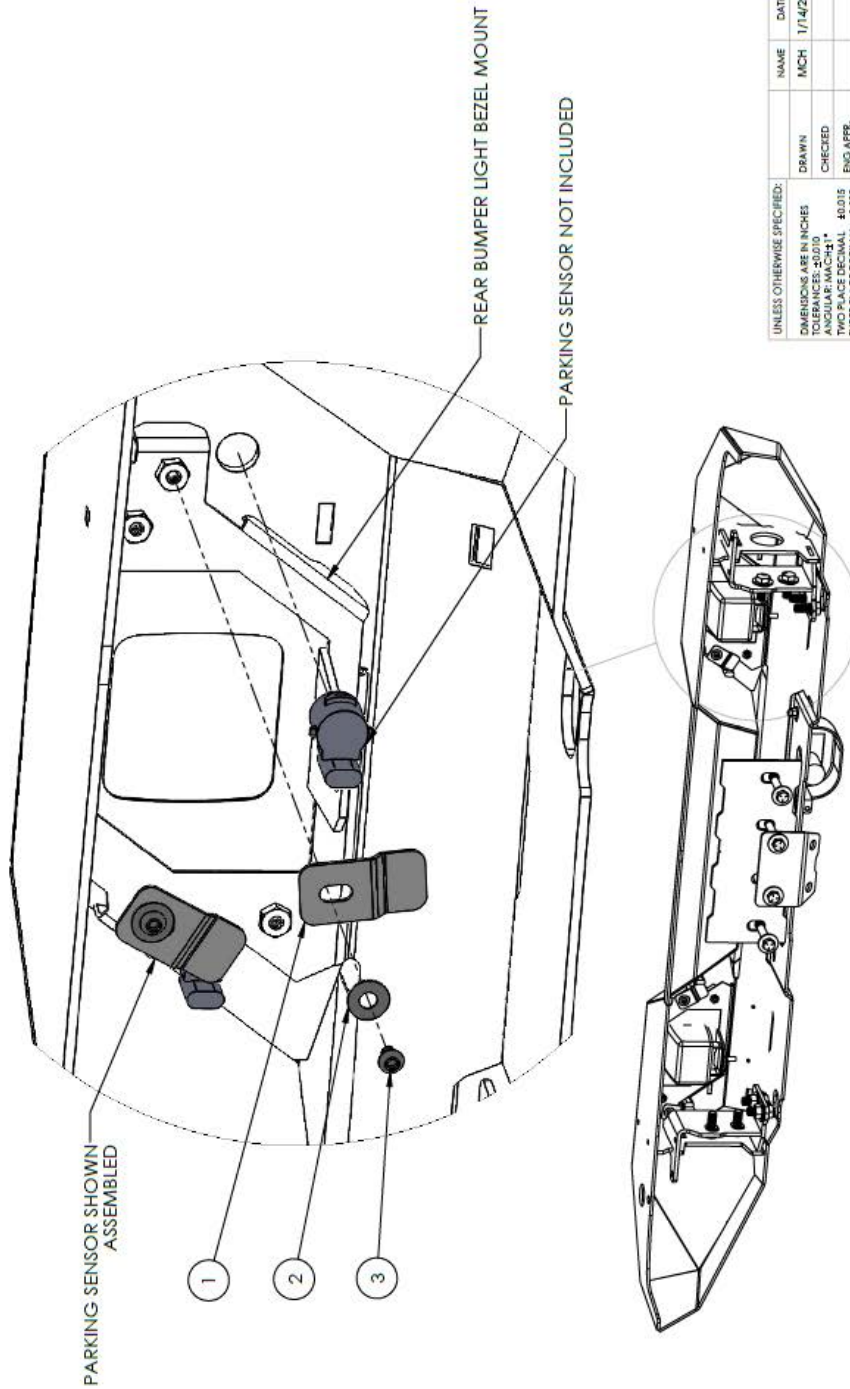


Place the sensor tab over the sensor and insert the **1/4"-20 x 0.375"** Button head screw and washer into the provided hole.



Plug in the sensors to the factory harness.

ITEM NO.	PART NUMBER	DESCRIPTION	QTY.
1	2JBA1800-01	SENSOR TAB	4
2	FW2510ZP	FLAT WASHER Ø1/4" X .734 ZINC PLATE	4
3	BHSCS252006SS	BHSCS 1/4-20 X 0.375 STAINLESS STEEL	4



NAME	DATE	LOD LLC.
MCH	1/14/2019	
DESCRIPTION: REAR BUMPER PARKING SENSOR MOUNTING KIT		
DWG. NO. JBA1801		
SCALE: 1:2 SHEET SIZE: B		
REV A		
SHEET 1 OF 1		

UNLESS OTHERWISE SPECIFIED:
 DIMENSIONS ARE IN INCHES
 ANGULAR DIMENSIONS ARE IN DEGREES
 TWO PLACE DECIMAL .0015
 THREE PLACE DECIMAL .0005

PROPRIETARY AND CONFIDENTIAL
 THE INFORMATION CONTAINED IN THIS DRAWING IS THE SOLE PROPERTY OF LOD LLC. ANY REPRODUCTION IN ANY FORM OR BY ANY MEANS WITHOUT THE WRITTEN PERMISSION OF LOD LLC IS PROHIBITED.

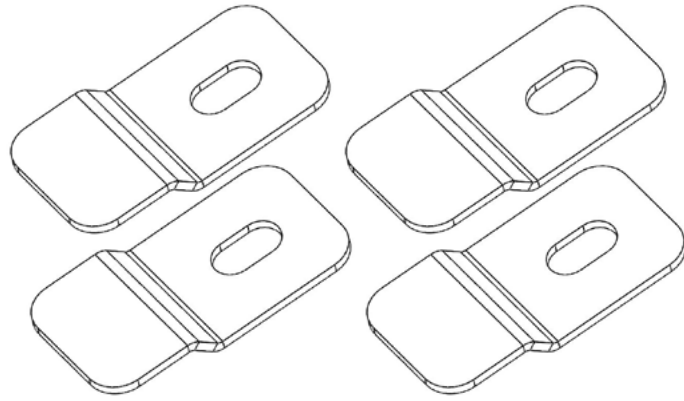
MATERIAL: N/A
 FINISH: N/A
 ECO: N/A
 1013



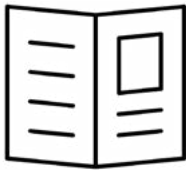
JL Jeep
DESTROYER Series
REAR BUMPER
Parking Sensor Mount Kit
SHIPPING SHEET

Packaged by:

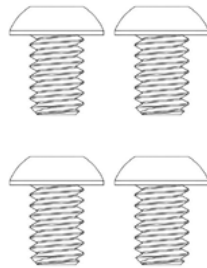
On:



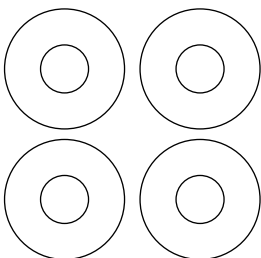
Sensor Tabs (x4)



Instruction
Booklet



1/4"-20 x 0.375"
Buttonhead Screws (x4)



1/4" x 0.734"
Flat Washers (x4)