



ARMOR LITE SERIES

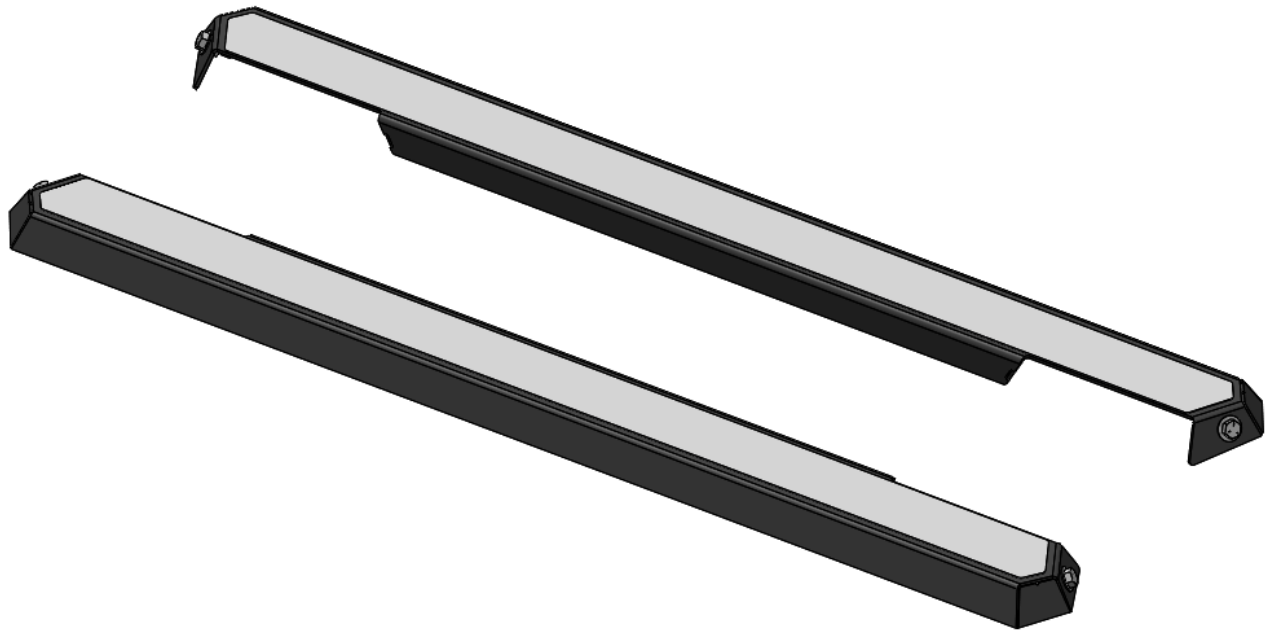
JK/JL/JT

**JEEP ARMOR LITE LONG
DROP STEP PAIR**



WEB LINK: <http://lodoffroad.com/assets/pdfs/JAS1862 Long Drop Step Pair.pdf>

VERIFY YOU HAVE ALL THE COMPONENTS BEFORE STARTING THE INSTALLATION. REFER TO THE ENGINEERING DRAWINGS AT THE END OF THIS DOCUMENT FOR A COMPLETE PARTS LIST

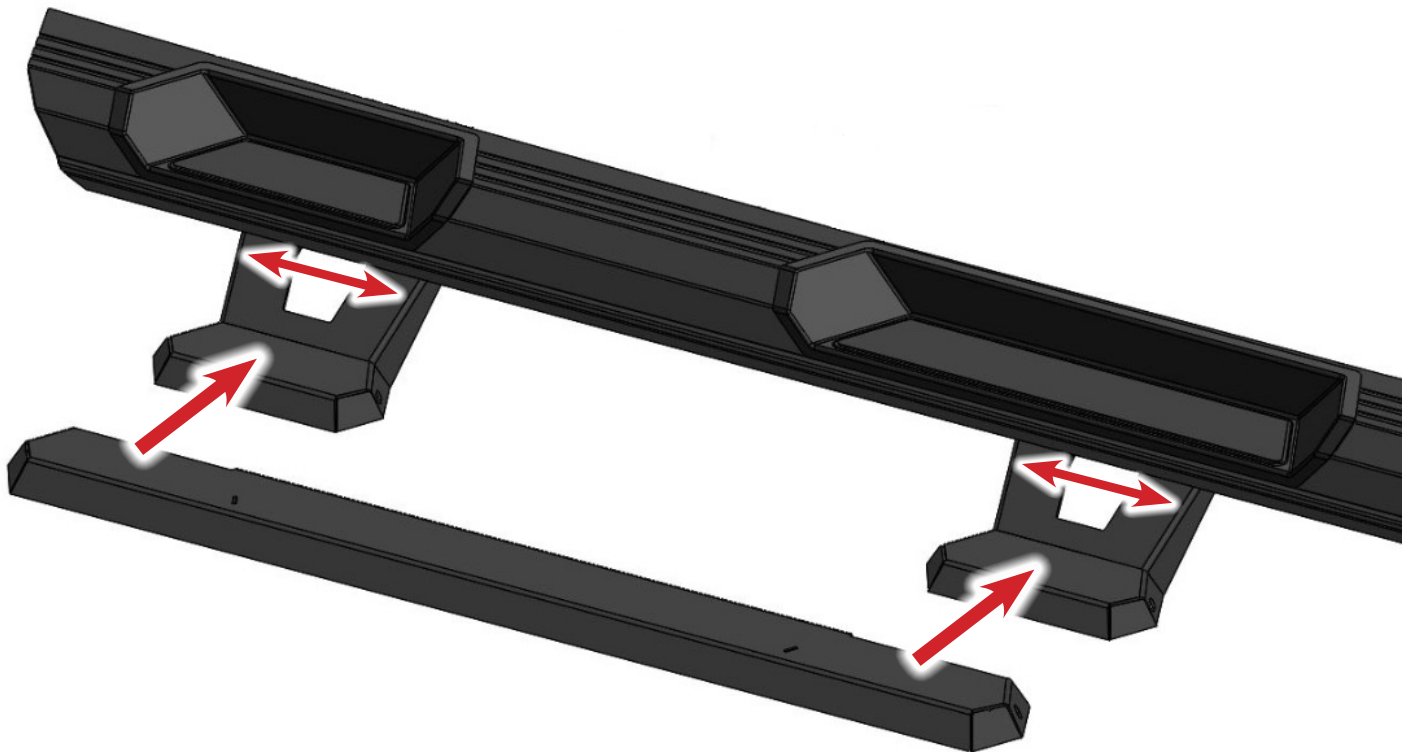


Loosely Position your Single Drop Steps below each step as shown below.

Place the Long Drop Step on top of your Single Drop Steps. You may need to adjust the Single Drop steps forward or backward to line up correctly.

Securely fasten the Long Drop Step to the Single Drop Steps using the provided hardware.

You can adjust the steps forward or backward slightly if needed. Securely tighten the Single Drop Step Knobs on the back side of the slider.

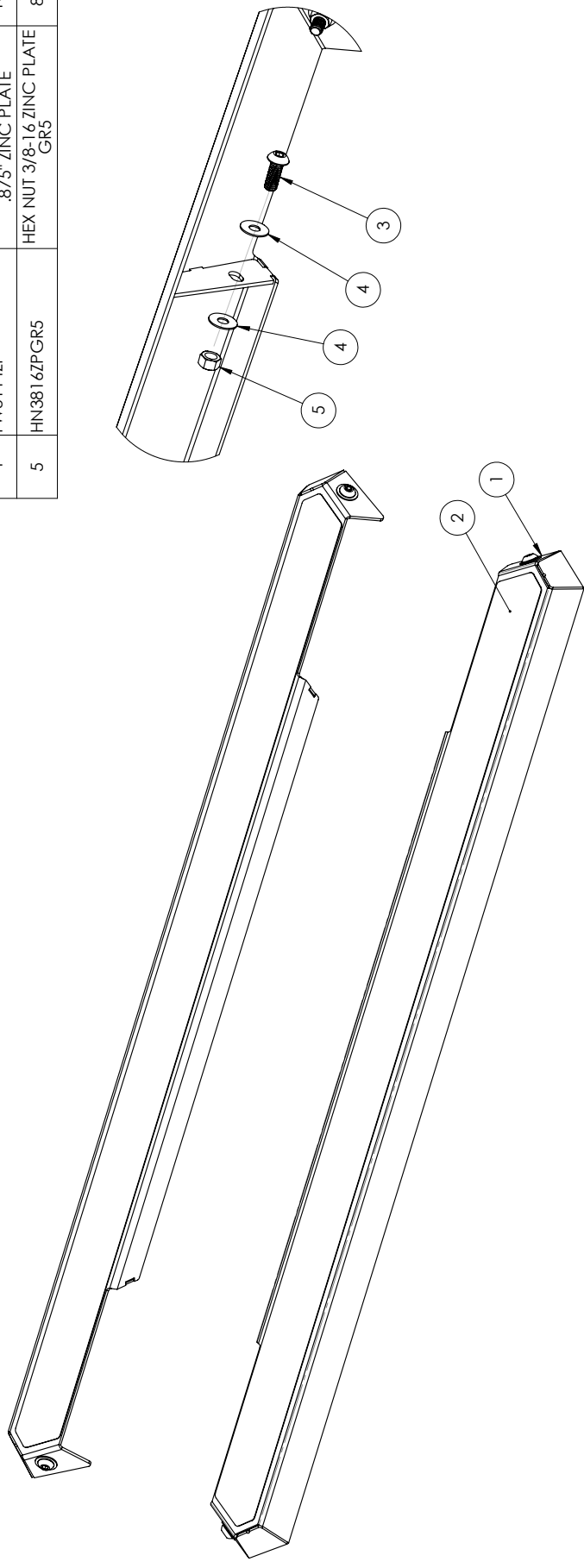


****Maintenance****

- Periodically check and re-tighten all fasteners.
- Periodically check your Armor Lite Drop Steps for scratches or dings which can happen over time or after heavy use or highway driving. It is important to address these areas as soon as possible to prevent flaking and corrosion or rust from spreading. We recommend using Rustoleum® brand Black Semi-Gloss Protective Enamel (oil based). Remove loose powder coating, sand the area and clean using alcohol. Apply using a foam brush by dabbing to match the powder coat texture.



ITEM NO.	PART NUMBER	DESCRIPTION	QTY.
1	4JAS1860-02	JEEP LONG DROP STEP	2
2	2JAS1860-06	FULL DROP STEP GRIP TAPE	2
3	BHSCS381616ZP	BHSCS 3/8-16 X 1.00 ZINC PLATE	8
4	FW3114ZP	FLAT WASHER Ø5/16" X .875" ZINC PLATE	16
5	HN3816ZPGR5	HEX NUT 3/8-16 ZINC PLATE GR5	8



UNLESS OTHERWISE SPECIFIED:
 DIMENSIONS ARE IN INCHES
 DECIMALS: ±0.010
 FRACTIONS: ±0.005
 TWO PLACE DECIMAL ±0.0015
 THREE PLACE DECIMAL ±0.005

PROPRIETARY AND CONFIDENTIAL
 THE INFORMATION CONTAINED IN THIS DRAWING IS THE SOLE PROPERTY OF LOD LLC. ANY REPRODUCTION IN PART OR AS A WHOLE WITHOUT THE WRITTEN PERMISSION OF LOD LLC IS PROHIBITED.

LOD LLC.
 DESCRIPTION:
JEEP LONG DROP STEP PAIR

DWG. NO.
JAS1862

SCALE: 1:4 SHEET SIZE: B

REV
A

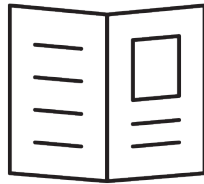
SHEET 1 OF 1



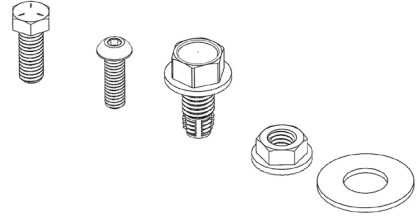
**JK/JL/JT Jeep
ARMOR LITE SERIES
LONG DROP STEP PAIR
SHIPPING SHEET**

Packaged by:

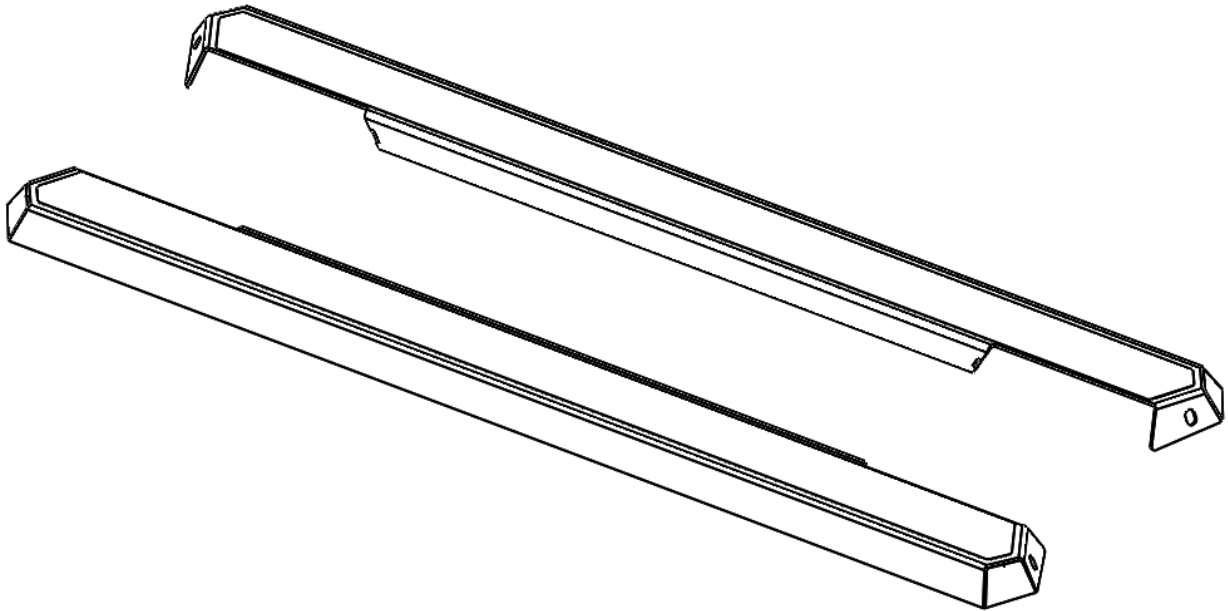
On:



Instruction
Booklet



BOLT KIT
(may vary)



LONG DROP STEP
W/ GRIP TAPE
4JAS1860-02
(x2)

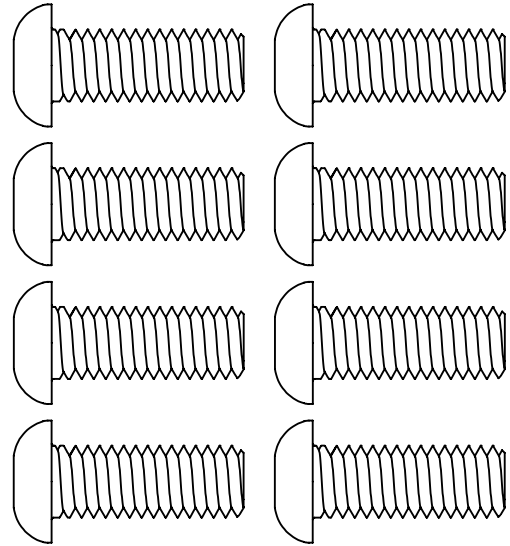




**JK/JL/JT Jeep
ARMOR LITE SERIES
LONG DROP STEP PAIR
BOLT KIT**

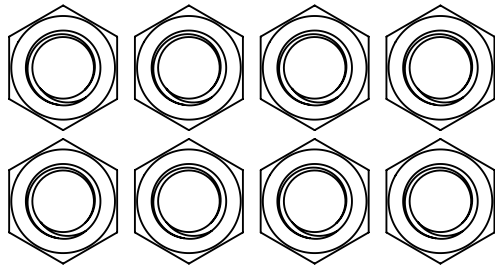
Packaged by:

On:



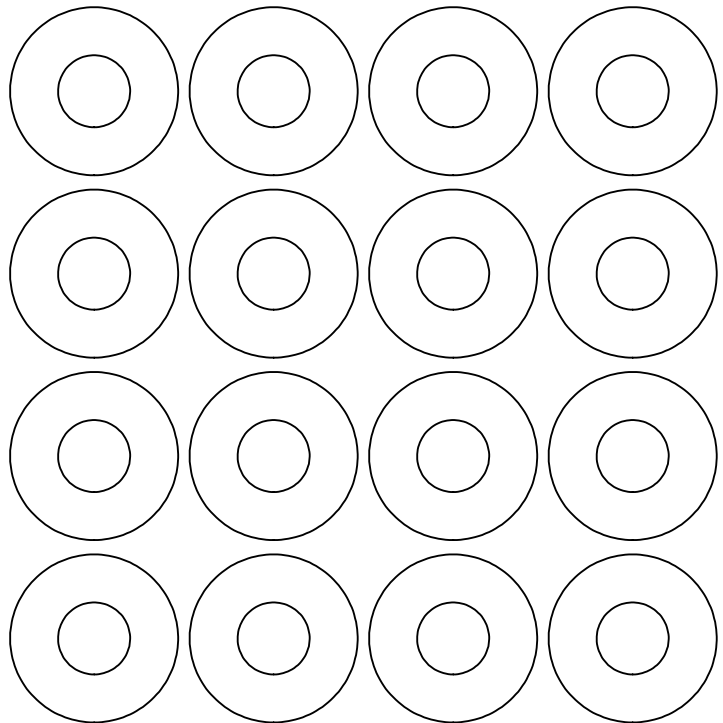
**3/8-16 X 1.00" BUTTON
HEAD CAP SCREW**

(x8)



3/8-16 HEX NUT

(x8)



5/16 X .875" FLAT WASHER

(x16)

