



ARMOR LITE SERIES

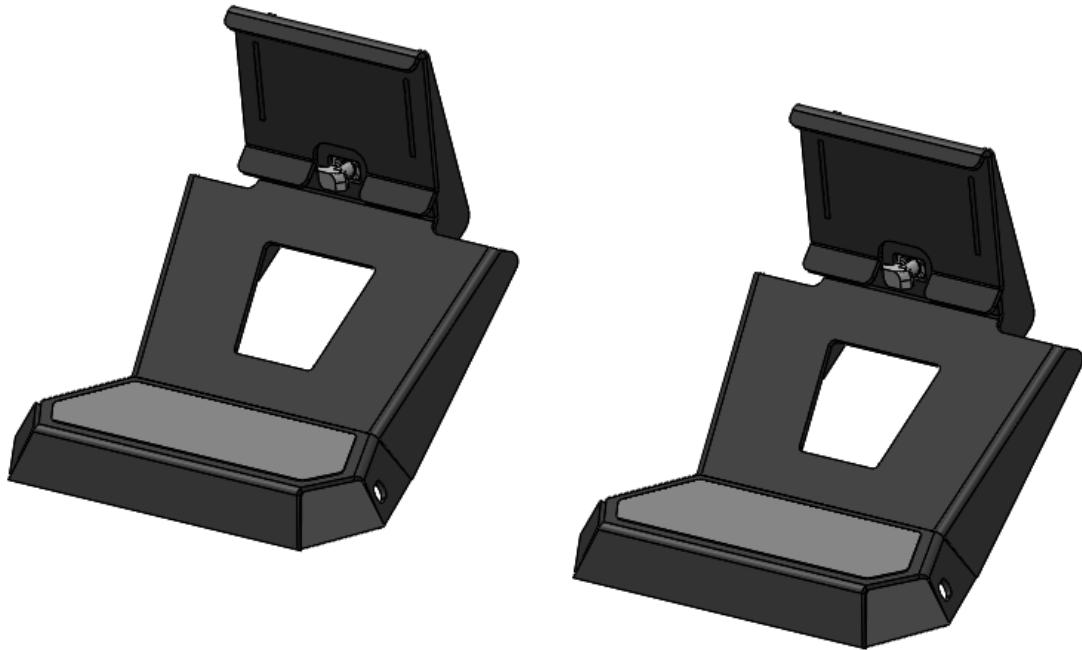
JK/JL/JT

JEEP ARMOR LITE
DROP STEP PAIR



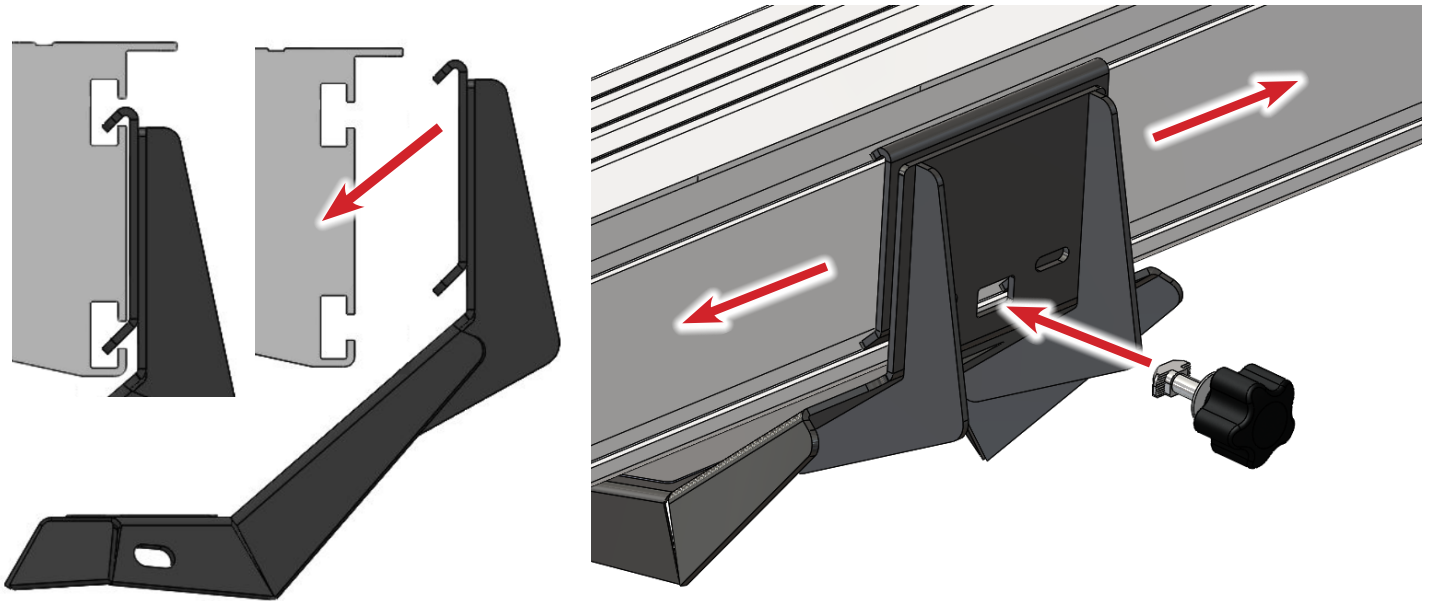
WEB LINK: <http://lodoffroad.com/assets/pdfs/JAS1860 Drop Step Pair.pdf>

VERIFY YOU HAVE ALL THE COMPONENTS BEFORE STARTING THE INSTALLATION. REFER TO THE ENGINEERING DRAWINGS AT THE END OF THIS DOCUMENT FOR A COMPLETE PARTS LIST

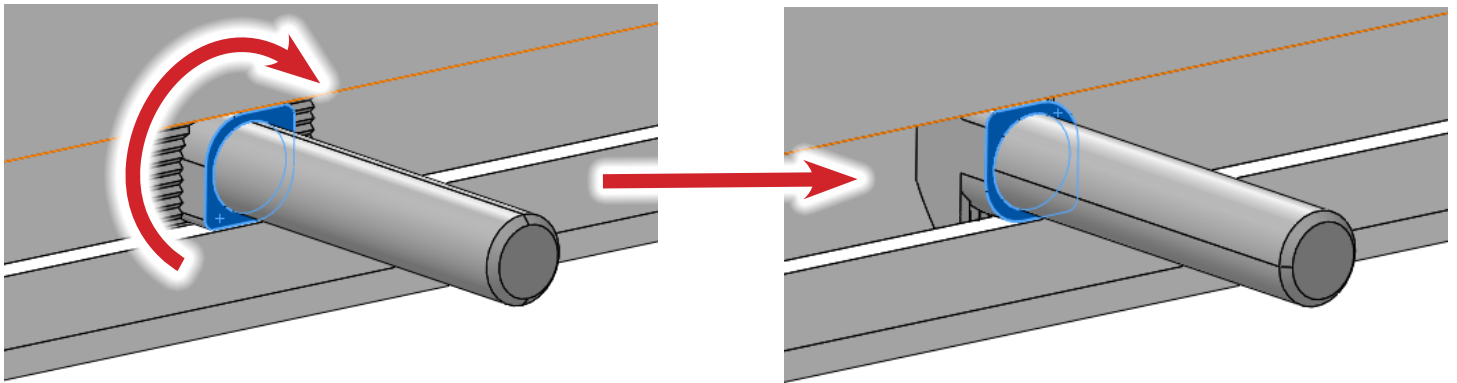


Hang the Single Drop Step onto the backside of the Armor Lite Slider as shown. Adjust the position of step forward or backward as needed.

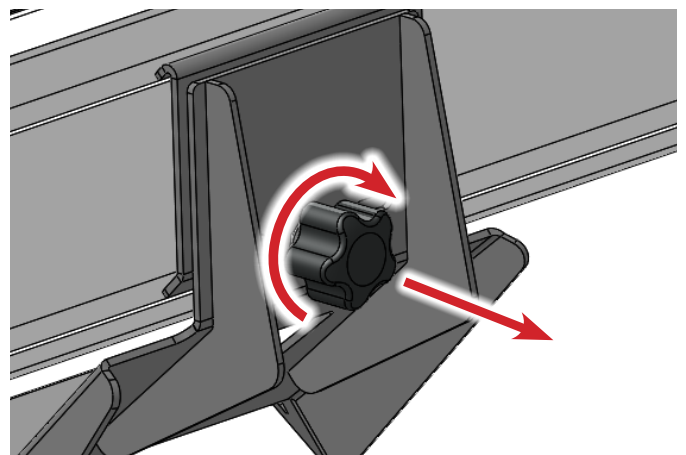
Insert the Knob with Washer and T-Stud partially installed thru the back of the step into the T-Slot on the back of the Armor Lite Slider.



Rotate the Knob 90° clockwise so that the shoulder on the stud catches on the T-Slot as shown below. This will hold the T-Stud in place while tightening.



Continue to tighten the Knob while pulling out on the Knob at the same time.

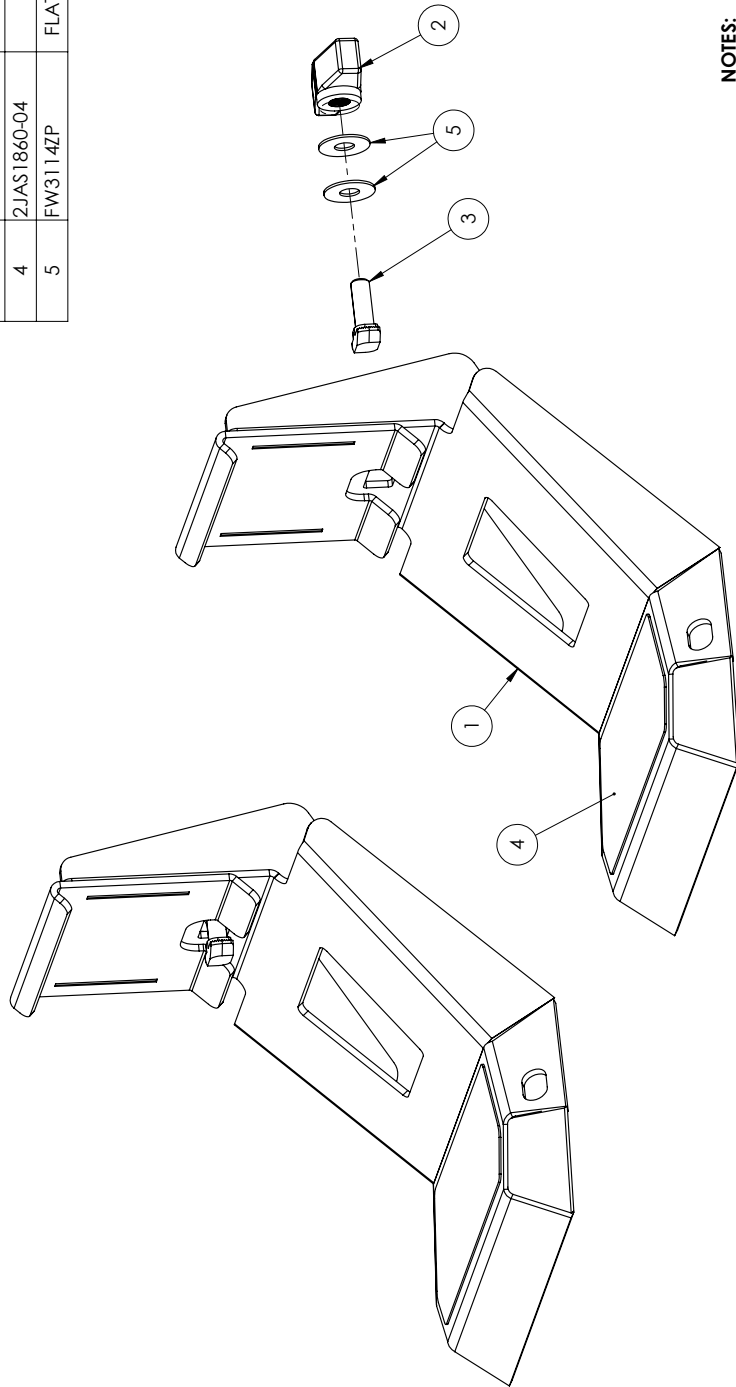


****Maintenance****

- Periodically check and re-tighten all fasteners.
- Periodically check your Armor Lite Drop Steps for scratches or dings which can happen over time or after heavy use or highway driving. It is important to address these areas as soon as possible to prevent flaking and corrosion or rust from spreading. We recommend using Rustoleum® brand Black Semi-Gloss Protective Enamel (oil based). Remove loose powder coating, sand the area and clean using alcohol. Apply using a foam brush by dabbing to match the powder coat texture.



ITEM NO.	PART NUMBER	DESCRIPTION	QTY.
1	4JAS1860-01	JEEP SINGLE DROP STEP	2
2	61125K86	KNOB, M08X1.25 THREADED HOLE	2
3	TB08125M25ZP	T-BOLT M08-1.25 X 25mm ZINC PLATE, DROP IN	2
4	2JAS1860-04	SINGLE DROP STEP GRIP TAPE	2
5	FW3114ZP	FLAT WASHER Ø5/16" X .875" ZINC PLATE	4



NOTES:
 1. JAS1860 = BARE STEEL
 2. JAS1861 = BLACK POWDER COAT

UNLESS OTHERWISE SPECIFIED:		NAME	DATE
DIMENSIONS ARE IN INCHES	DRAWN	MCH	5/13/2020
TOLERANCES: ±0.010	CHECKED		
FRACTIONS: 1/16, 1/8, 3/16, 1/2, 5/8, 3/4	ENG. APPR.		
TWO PLACE DECIMAL ±0.015	MFG APPR.		
THREE PLACE DECIMAL ±0.005	MATERIAL:		
	N/A		
PROPRIETARY AND CONFIDENTIAL	FINISH:		
THE INFORMATION CONTAINED IN THIS DRAWING IS THE PROPERTY OF LOD LLC. ANY REPRODUCTION IN PART OR AS A WHOLE WITHOUT THE WRITTEN PERMISSION OF LOD LLC IS PROHIBITED.	SEE NOTES		
	DWG. NO.	JAS1860	REV
		JAS1861	A
	SCALE: 1:2	SHEET SIZE: B	SHEET 1 OF 1



LOD LLC.

DESCRIPTION:

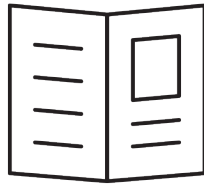
JEEP DROP STEP PAIR



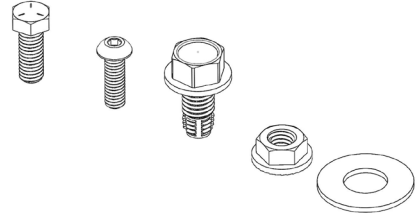
**JK/JL/JT Jeep
ARMOR LITE SERIES
DROP STEP PAIR
SHIPPING SHEET**

Packaged by:

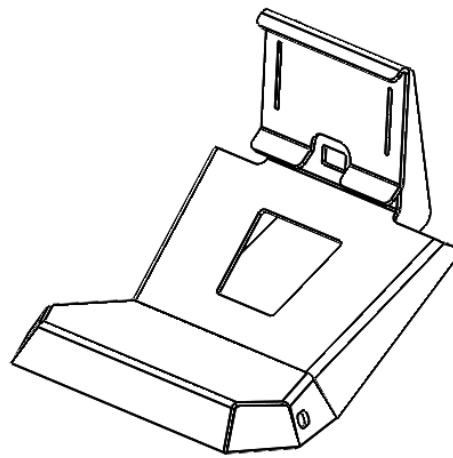
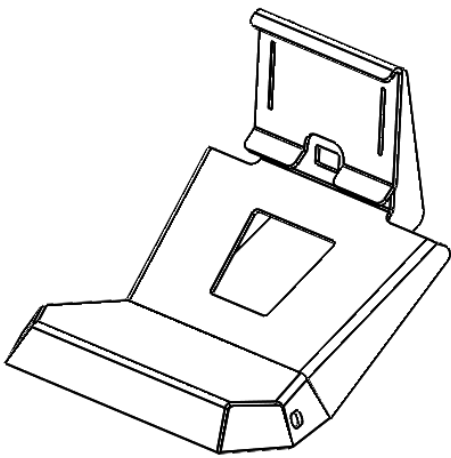
On:



Instruction
Booklet



BOLT KIT
(may vary)



JEEP DROP STEP
W/ GRIP TAPE
4JAS1860-01
(x2)

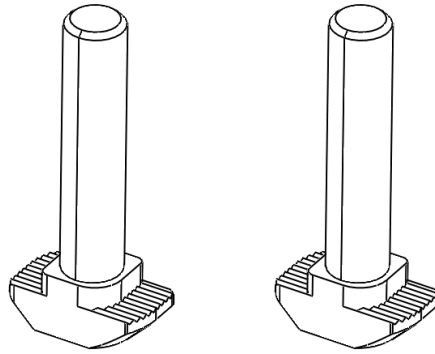




**JK/JL/JT Jeep
ARMOR LITE SERIES
DROP STEP PAIR
BOLT KIT**

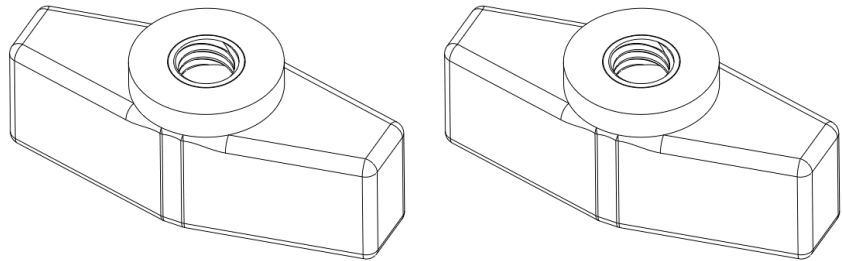
Packaged by:

On:



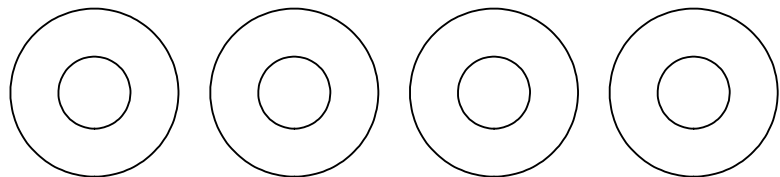
DROP IN T-BOLT M8-1.25 X 40MM

(x2)



THREADED KNOB M8-1.25

(x2)



5/16 X .875" FLAT WASHER

(x4)

