



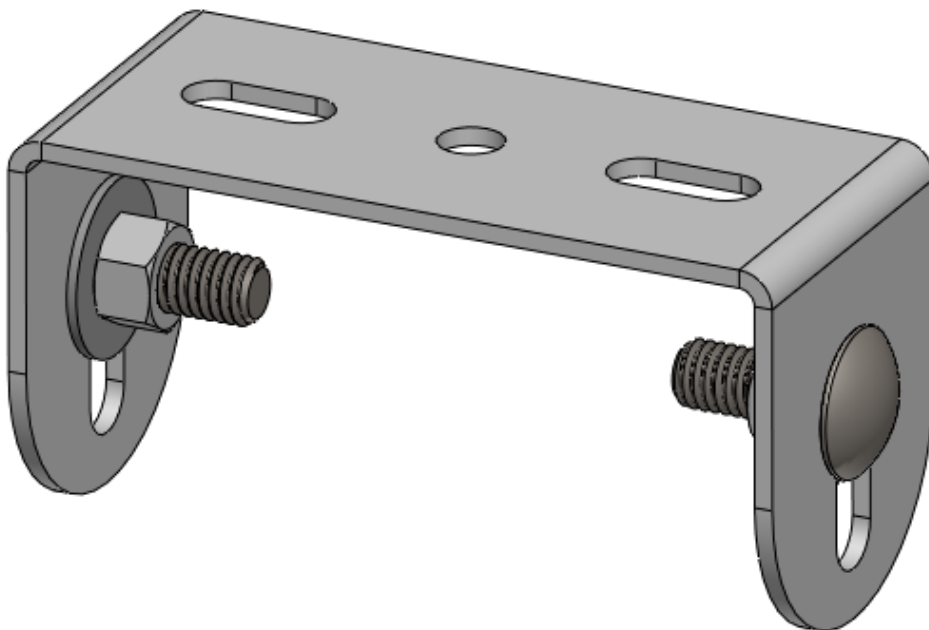
BLACK OPS SERIES

JT

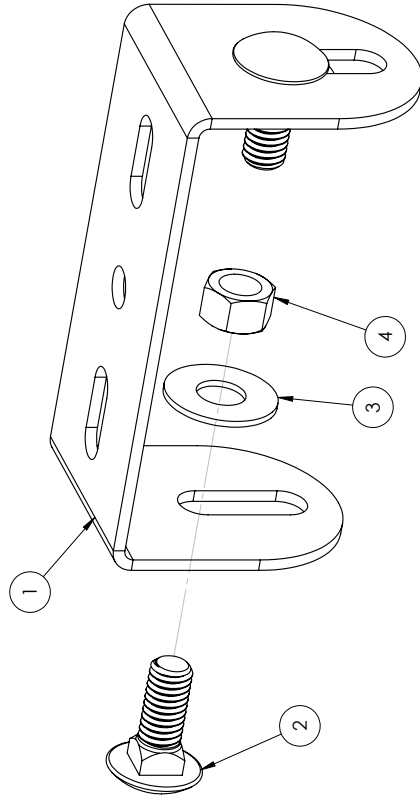
**BED RACK ACCESSORY
MOUNT**



VERIFY YOU HAVE ALL THE COMPONENTS BEFORE STARTING THE INSTALLATION. REFER TO THE ENGINEERING DRAWINGS AT THE END OF THIS DOCUMENT FOR A COMPLETE PARTS LIST



ITEM NO.	PART NUMBER	DESCRIPTION	QTY.
1	2JAM2020-01	BED RACK ACCESSORY MOUNT	1
2	CB381616ZPGR5	CARRIAGE BOLT 3/8-16 X 1.00 ZINC PLATE GR5	2
3	FW3816ZP	FLAT WASHER Ø3/8" X 1.00 ZINC PLATE	2
4	HN3816ZPGR5	HEX NUT 3/8-16 ZINC PLATE GR5	2



- NOTES:**
- JAM2020 = BARE STEEL OPTION
 - JAM2021 = BLACK POWDER COAT
 - WEIGHT = APPROX 1 LBS

UNLESS OTHERWISE SPECIFIED:		NAME	DATE
DIMENSIONS ARE IN INCHES		MCH	9/20/2022
TOLERANCES: ±0.010		LOD LLC.	
ANGULAR TOLERANCES: ±0.015		DESCRIPTION:	
HOLE POSITION TOLERANCES: ±0.015		BED RACK ACCESSORY MOUNT	
THREE PLACE DECIMAL ±0.005		MATERIAL:	
PROPRIETARY AND CONFIDENTIAL		N/A	
THE INFORMATION CONTAINED IN THIS DRAWING IS THE PROPERTY OF LOD LLC. ANY REPRODUCTION IN PART OR AS A WHOLE WITHOUT THE WRITTEN PERMISSION OF LOD LLC IS PROHIBITED.		FINISH:	
		N/A	
		ECO:	
		-	
		DWG. NO. JAM2020	
		JAM2021	
		SCALE: 1:1	
		SHEET SIZE: B	
		REV A	
		SHEET 1 OF 1	

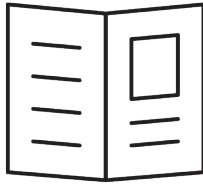




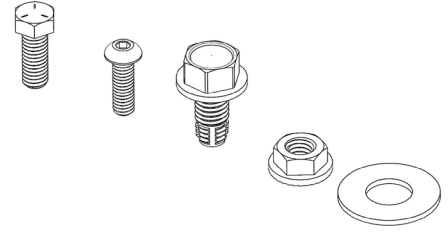
JT Jeep
BLACK OPS SERIES
 BED RACK
 ACCESSORY MOUNT
 SHIPPING SHEET

Packaged by:

On:



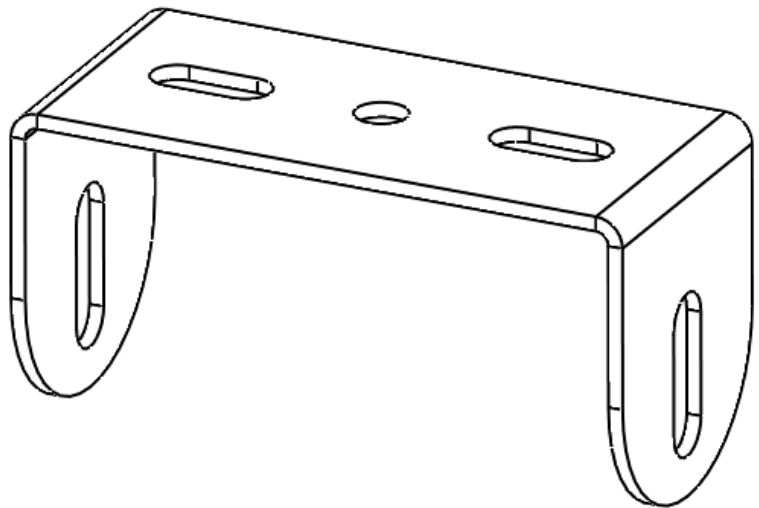
Instruction
Booklet



BOLT KIT
(may vary)



BED RACK ACCESSORY
 MOUNT
 2JAM2020-01
(x2)

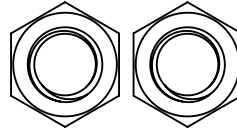




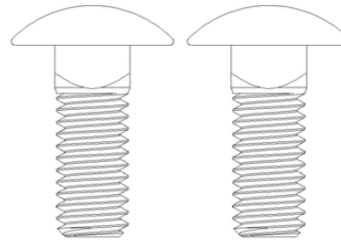
JT Jeep
BLACK OPS SERIES
BED RACK
ACCESSORY MOUNT
BOLT KIT

Packaged by:

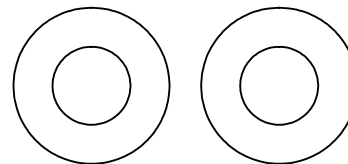
On:



HEX NUT 3/8-16
1136306
(x2)



CARRIAGE BOLT 3/8-16 X 1.00
(0155068)
(x2)



FLAT WASHER
Ø3/8 X 1.00
(x2)

