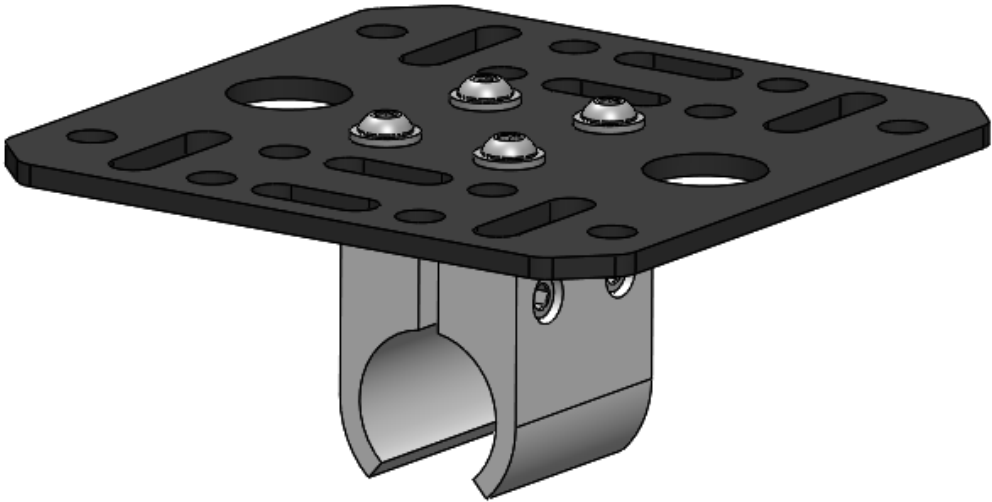




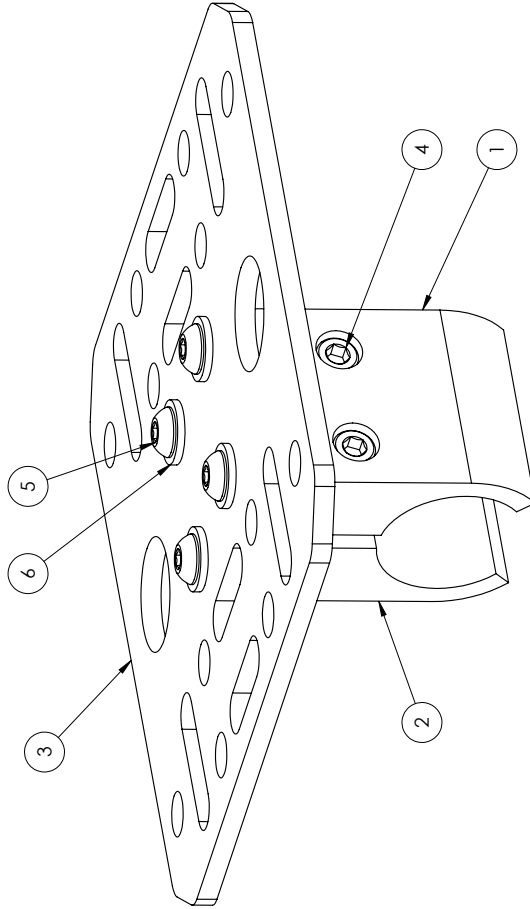
WEB LINK: <http://lodoffroad.com/assets/pdfs/JAM0790 UNIVERSAL MOUNTING PLATE.pdf>

VERIFY YOU HAVE ALL THE COMPONENTS BEFORE STARTING THE INSTALLATION. REFER TO THE ENGINEERING DRAWINGS AT THE END OF THIS DOCUMENT FOR A COMPLETE PARTS LIST



Assemble as shown using the provided hardware

ITEM NO.	PART NUMBER	DESCRIPTION	QTY.
1	2JRR0704-76	BAR CLAMP TOP	1
2	2JRR0704-75	BAR CLAMP BOTTOM	1
3	2JAM0790-01	UNIVERSAL MOUNTING PLATE	1
4	SHSCS 1/4-20 X 1.25 ZINC PLATE	SHSCS 1/4-20 X 1.25 ZINC PLATE	2
5	BHSCS252008ZP	BHSCS 1/4-20 X 0.50 ZINC PLATE	4
6	FW1209ZP	FLAT WASHER #12 X .56" ZINC PLATED	4

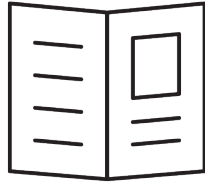


UNLESS OTHERWISE SPECIFIED:		NAME	DATE
DIMENSIONS ARE IN INCHES	DRAWN	MCH	6/5/2020
ANGULAR DIMENSIONS	CHECKED		
TWO PLACE DECIMAL ±0.015	ENG APPR.		
THREE PLACE DECIMAL ±0.005	MEG APPR.		
MATERIAL:		LOD LLC.	
N/A		DESCRIPTION:	
PROPERTY AND CONFIDENTIAL		UNIVERSAL MOUNTING PLATE	
THE INFORMATION CONTAINED IN THIS DRAWING IS THE SOLE PROPERTY OF LOD LLC. ANY REPRODUCTION OR TRANSMISSION OF THIS DRAWING IN WHOLE OR IN PART WITHOUT THE WRITTEN PERMISSION OF LOD LLC IS PROHIBITED.		DWG. NO.	
FINISH:		JAM0790	
BLACK POWDER COAT		SCALE: 1:1	
ECC:		SHEET SIZE: B	
		REV	
		A	
		SHEET 1 OF 1	

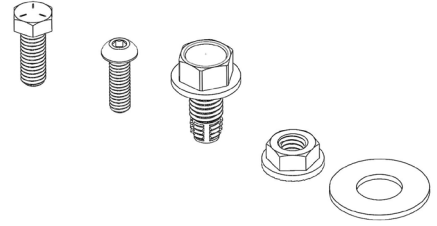


JK/JL Jeep
DESTROYER SERIES
ROOF RACK
UNIVERSAL MOUNTING
PLATE
SHIPPING SHEET
Packaged by:

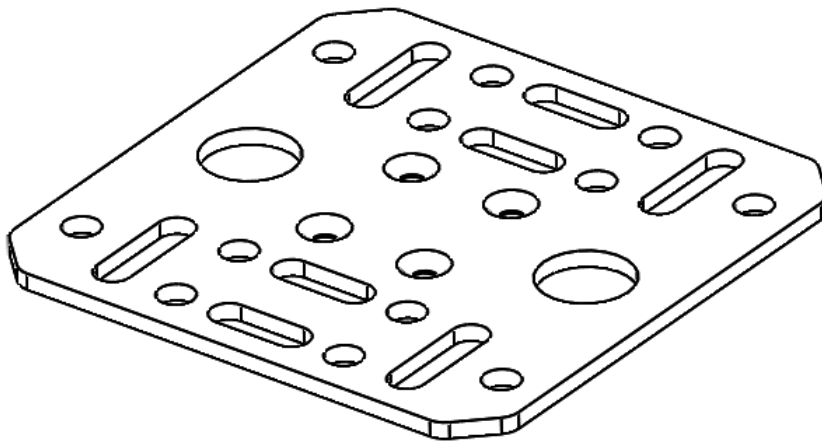
On: _____



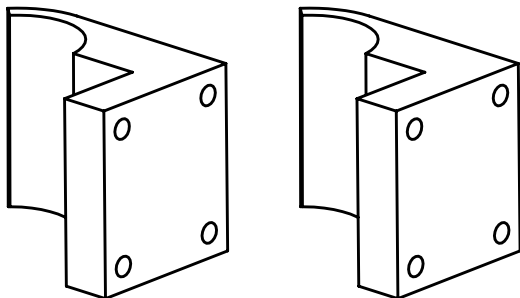
Instruction
Booklet



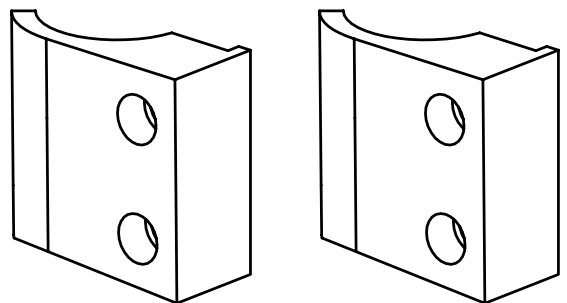
BOLT KIT
(may vary)



UNIVERSAL MOUNTING
PLATE
2JAM0790-01
(x1)



BAR CLAMP BOTTOM
2JRR0704-75
(x2)



BAR CLAMP TOP
2JRR0704-76
(x2)

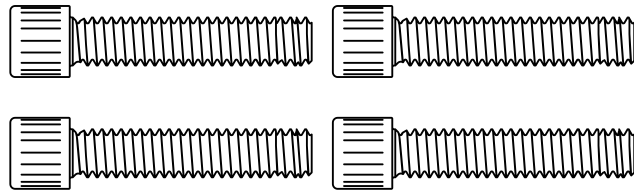




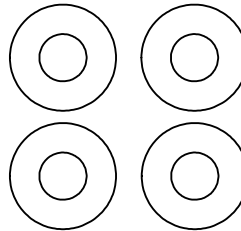
JK/JL Jeep
DESTROYER SERIES
ROOF RACK
UNIVERSAL MOUNTING
PLATE
BOLT KIT

Packaged by:

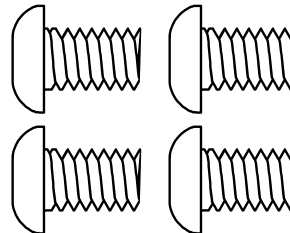
On:



SOCKET HEAD SCREW
1/4-20 X 1.25"
(x2)



FLAT WASHER
#12 x .56"
(x4)



BUTTON HEAD
1/4-20 X 0.50"
(x4)

