



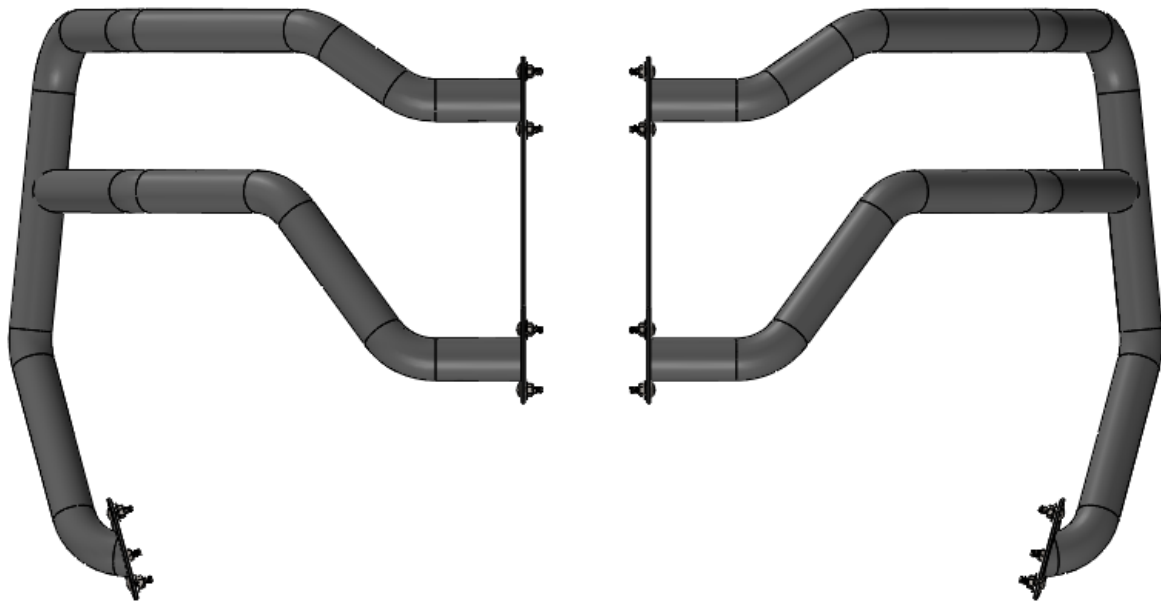
DESTROYER SERIES

TRUCK

CHEVY 2020
HEADLIGHT GUARDS

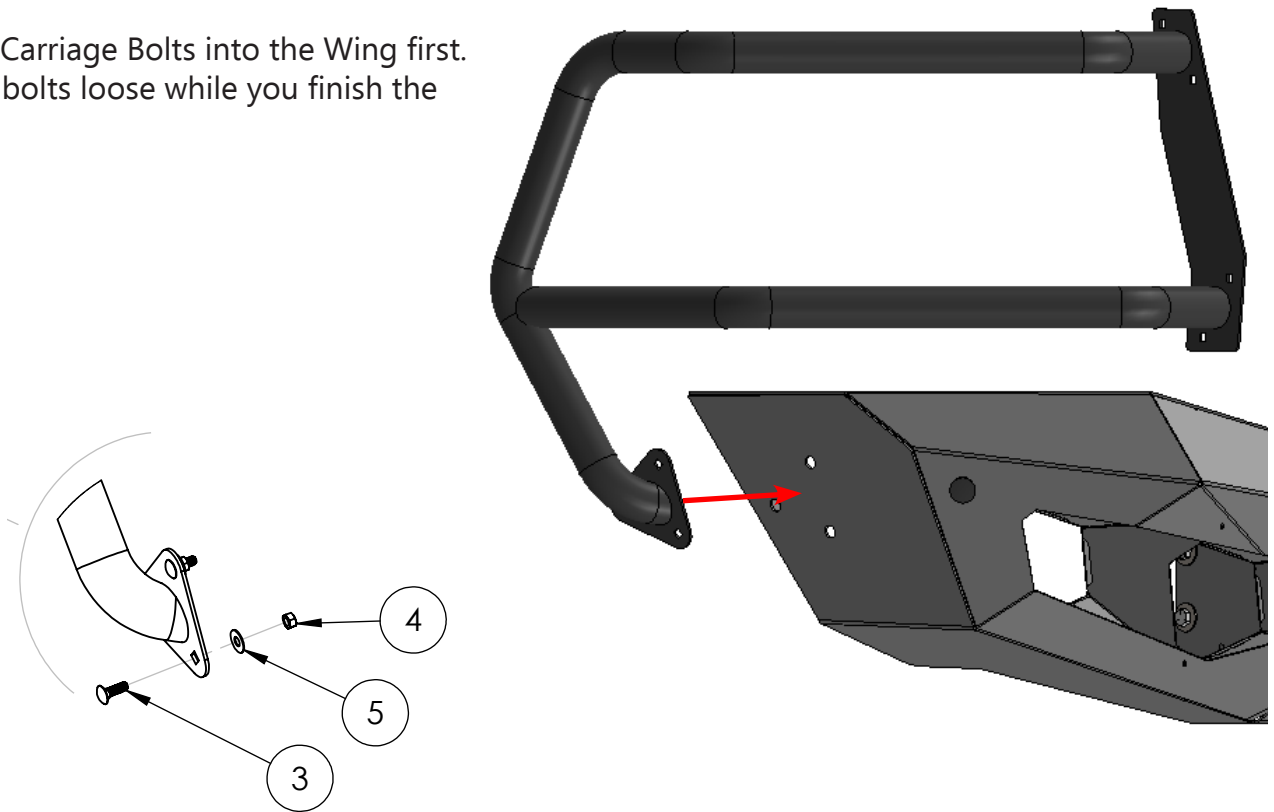


VERIFY YOU HAVE ALL THE COMPONENTS BEFORE STARTING THE INSTALLATION. REFER TO THE ENGINEERING DRAWINGS AT THE END OF THIS DOCUMENT FOR A COMPLETE PARTS LIST

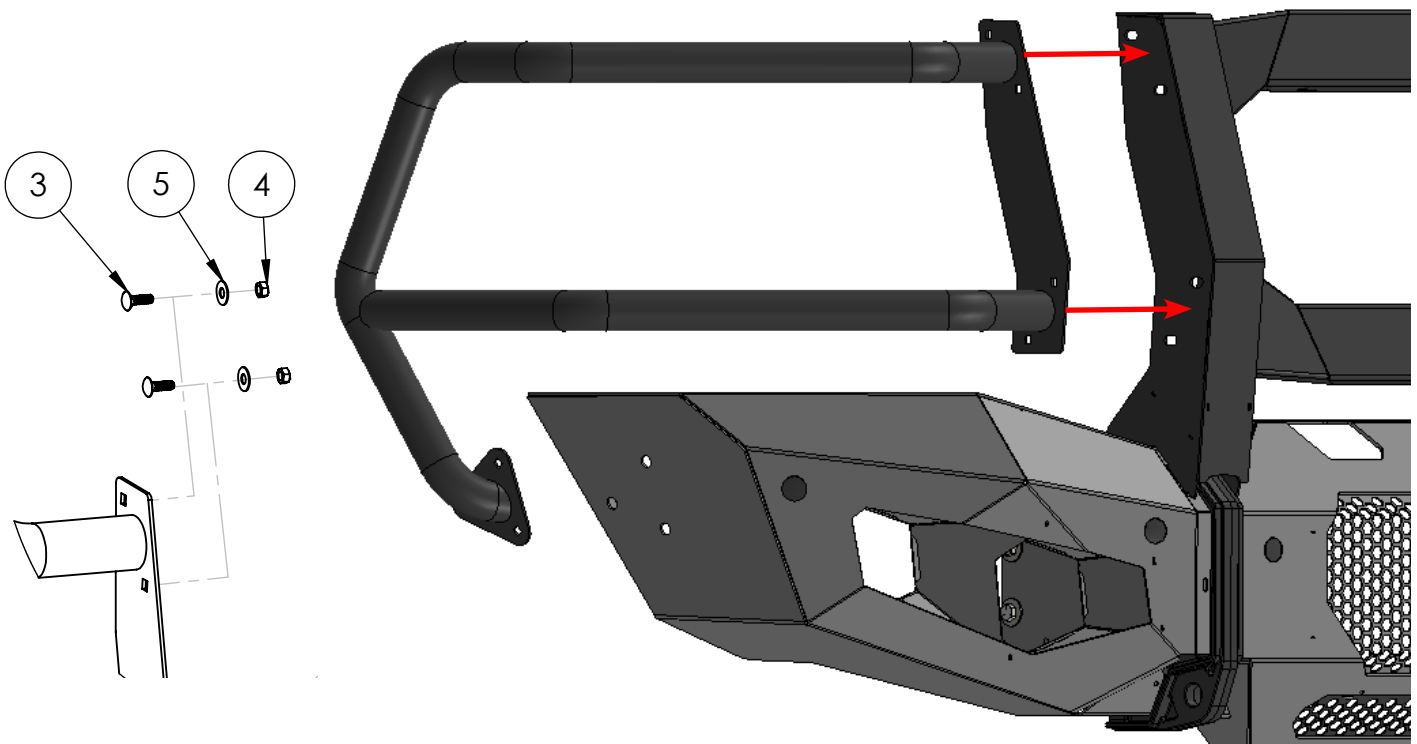


Start by installing your Headlight Guards as shown using the $\text{\O}5/16''$ Carriage Bolts.

Install the 3 Carriage Bolts into the Wing first. Leave these bolts loose while you finish the installation.



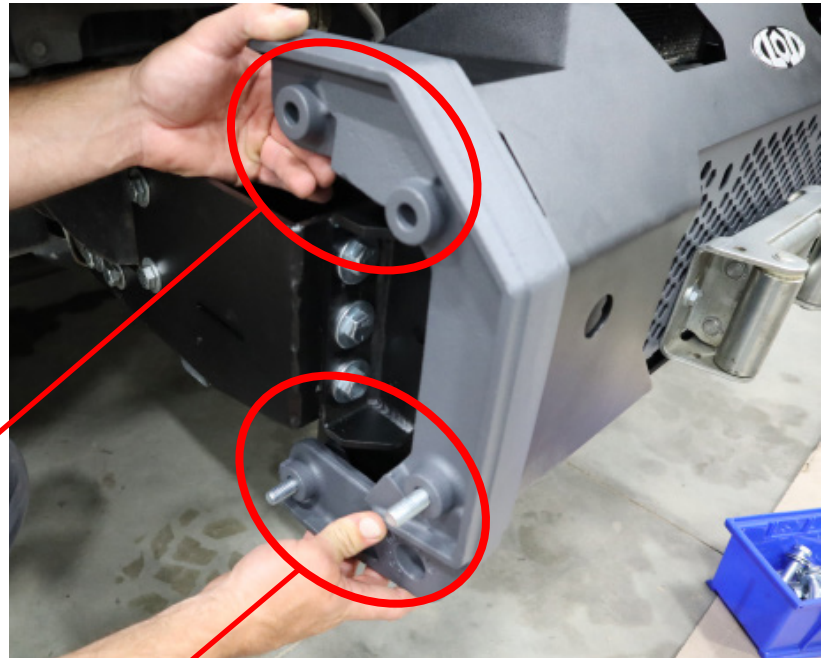
Next install the four Carriage Bolts into the Center Grill Guard as shown. If the bolt holes do not line up correctly you may need to loosen the mounting bolts for your Center Grill Guard.



If you are having trouble getting your bolt holes to line up. First start by loosening the two Ø1/2" Hex Bolts that mount your Center Grill Guard.

Be sure to loosen the bolts on both sides of the bumper to allow your Center Grill Guard to move slightly.

This picture shows the Wing removed for clarity. ****Do not remove the Wing.****



Loosen these two bolts first

Loosen these to adjust the Wing

If your bolt holes still dont line up you may need to adjust the Wing position. With the top two Hex Bolts still loose, loosen the lower two Hex Bolts. This will allow the Wing to shift slightly which should allow you to get all the Carriage Bolts installed.

Once all the Carriage Bolts are installed align your Wing and Center Grill Guard as needed and securely tighten all four Ø1/2" Hex Bolts. Repeat this procedure for both sides of the bumper and then finish tightening the Carriage Bolts.

****Maintenance****

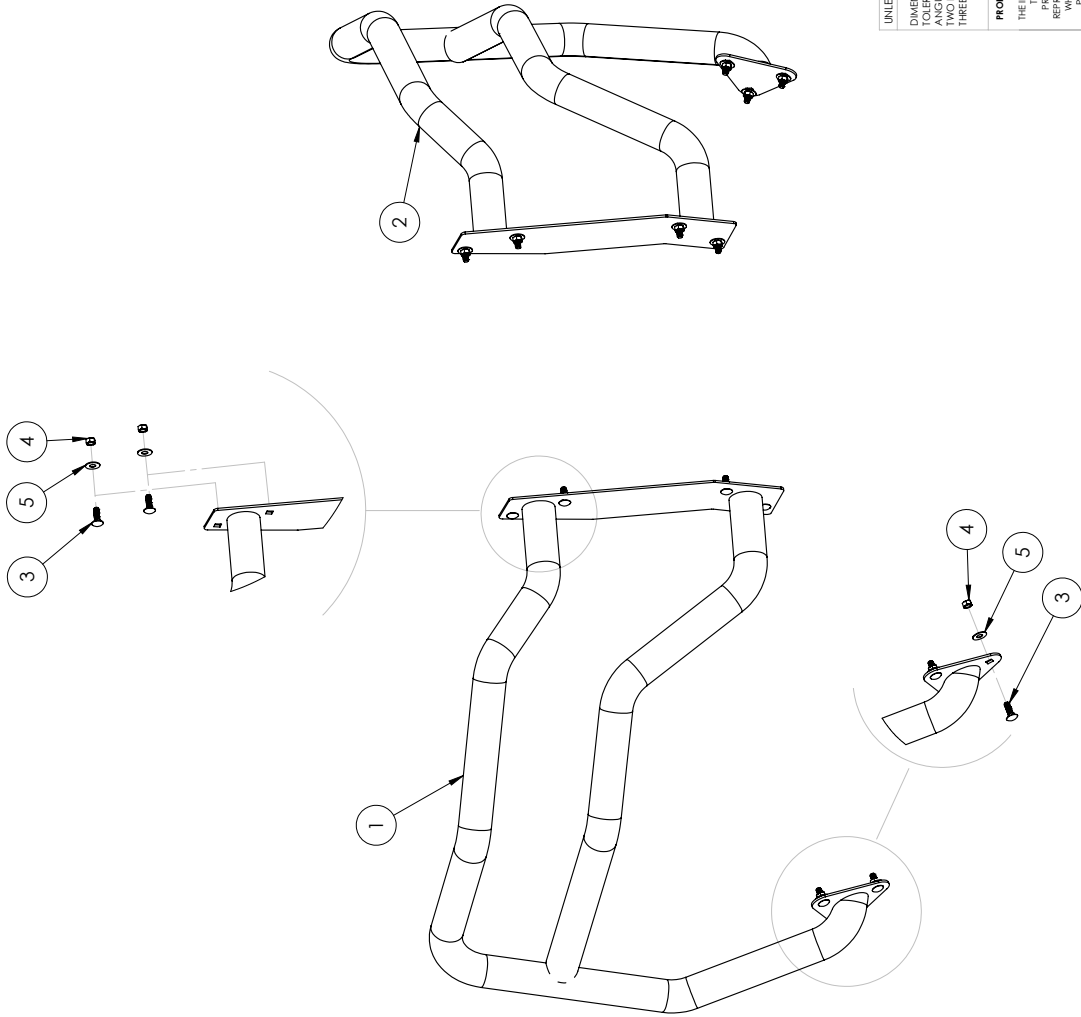
- Periodically check and re-tighten all fasteners.
-
- Periodically check your product for scratches, dings, or rust spots which can happen over time or after heavy use. It is important to address these areas as soon as possible to prevent rust and corrosion from spreading. We recommend using Rustoleum® brand Black Semi-Gloss Protective Enamel (oil based). Apply using a foam brush by dabbing to match the powder coat texture.



ITEM NO.	PART NUMBER	DESCRIPTION	QTY.
1	4CFB2020-05	CHEVY 2020 SIDE GUARD - PS	1
2	4CFB2020-06	CHEVY 2020 SIDE GUARD - DS	1

BOLT KIT

ITEM NO.	PART NUMBER	DESCRIPTION	QTY.
3	CB311816ZPGR5	CARRIAGE BOLT 5/16-18 X 1.00 ZINC PLATE GR5	14
4	HN3118ZPGR5	HEX NUT 5/16-18 ZINC PLATE GR5	14
5	FW3114ZP	FLAT WASHER Ø5/16" X .875" ZINC PLATE	14



- NOTES:**
 1. CHG2000 = BARE STEEL OPTION
 2. CHG2001 = BLACK POWDER COAT

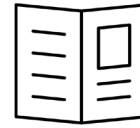
UNLESS OTHERWISE SPECIFIED:		NAME	DATE
DIMENSIONS ARE IN INCHES	DRAWN	MCH	9/17/2021
ANGULAR DIMENSIONS ARE IN DEGREES	CHECKED		
TWO PLACE DECIMAL ±0.015	ENG APPR.		
THREE PLACE DECIMAL ±0.005	MFG APPR.		
	MATERIAL:		
	N/A		
PROPRIETARY AND CONFIDENTIAL			
THE INFORMATION CONTAINED IN THIS DRAWING IS THE SOLE PROPERTY OF LOD LLC. ANY REPRODUCTION OR TRANSMISSION OF THIS INFORMATION WITHOUT THE WRITTEN PERMISSION OF LOD LLC IS PROHIBITED.			
FINISH: SEE NOTES		LOD LLC.	
ECC: -		DESCRIPTION: CHEVY 2020 HEADLIGHT GUARDS	
DWG. NO.	REV	SCALE: 1:7	
CHG2000	A	SHEET SIZE: B	
CHG2001		SHEET 1 OF 1	



TRUCK
DESTROYER SERIES
CHEVY 2020
HEADLIGHT GUARD
DRIVER SIDE
4CFB2020-06
SHIPPING SHEET

Packaged by:

On:

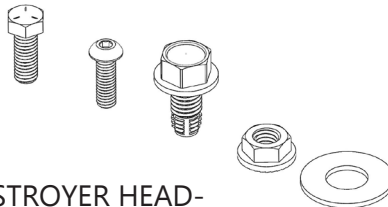
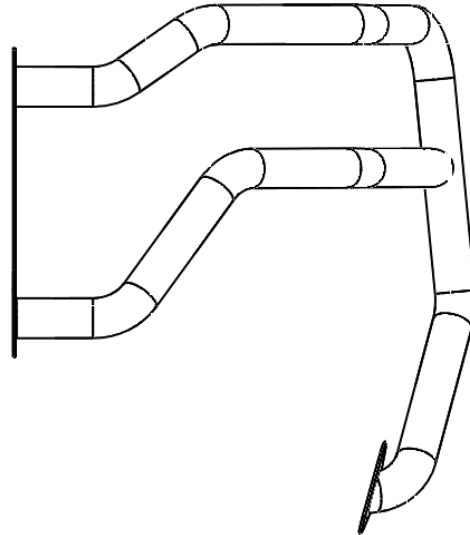


INSTRUCTION
SHEET



CHEVY 2020 SIDE GUARD - DS
4CFB2020-06

(x1)



DESTROYER HEAD-
LIGHT GUARD
BOLT KIT
DHG2020-BC
(x1)





TRUCK
DESTROYER SERIES
CHEVY 2020
HEADLIGHT GUARD
PASSENGER SIDE
4CFB2020-05
SHIPPING SHEET

Packaged by:

On:

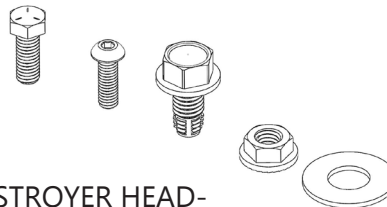
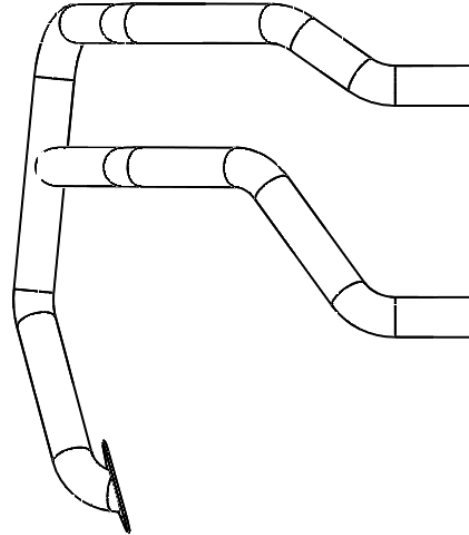


INSTRUCTION
SHEET



CHEVY 2020 SIDE GUARD - PS
4CFB2020-05

(x1)



DESTROYER HEAD-
LIGHT GUARD
BOLT KIT
DHG2020-BC

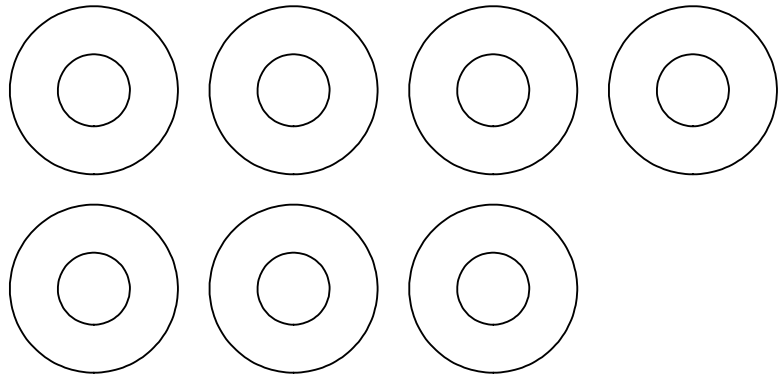
(x1)



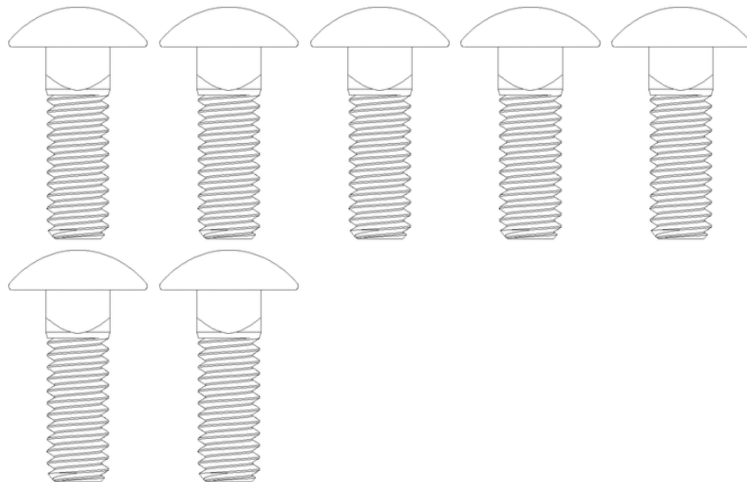


TRUCK
DESTROYER SERIES
HEADLIGHT GUARD
Bolt Kit
DHG2020-BC
Packaged by:

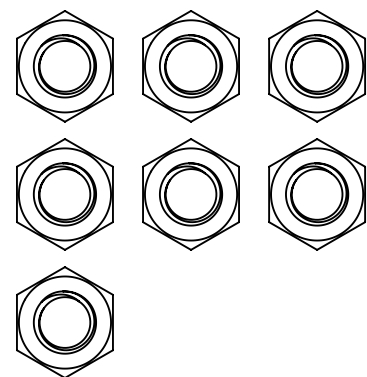
On:



FLAT WASHER
Ø5/16" X .875"
(0159722)
(x7)



CARRIAGE BOLT 5/16-18 X 1.00
(x7)



HEX NUT 5/16-18
(0147965)
(x7)

