



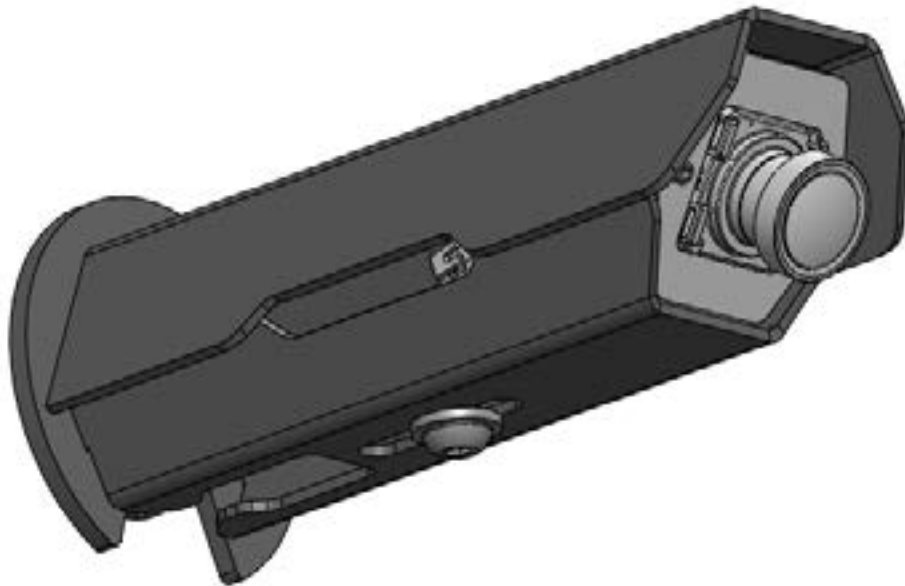
*DESTROYER SERIES*

**BRONCO**

2021 BRONCO  
REAR VIEW CAMERA KIT



**\*VERIFY YOU HAVE ALL THE COMPONENTS BEFORE STARTING THE INSTALLATION. REFER TO THE ENGINEERING DRAWINGS AT THE END OF THIS DOCUMENT FOR A COMPLETE PARTS LIST\***



## Assembling Your Camera

Start by removing your stock tire carrier from your tailgate. Then undo all the clips that hold your Camera & Brake Light wire harness in place.

To remove the camera from the tire carrier, you will need to remove the metal wheel stud bracket. To do this, remove the two torx head screws shown here and any screws or clips on the inside of the tire carrier.

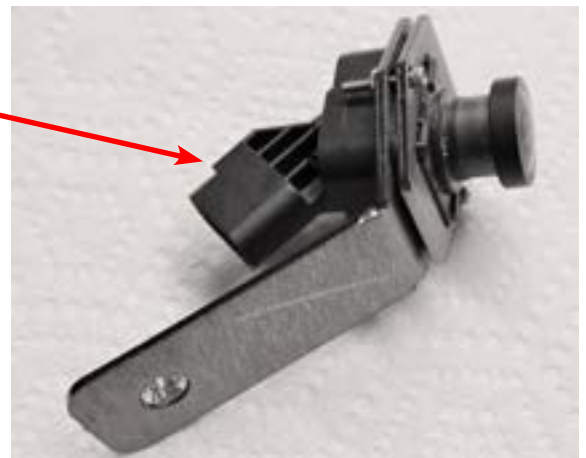
There is another plastic bracket inside the tire carrier that holds the camera. This should come out at the same time but you may need to pry it out.



Once you have your camera out you can assemble the camera into your new Camera Mount as shown here.

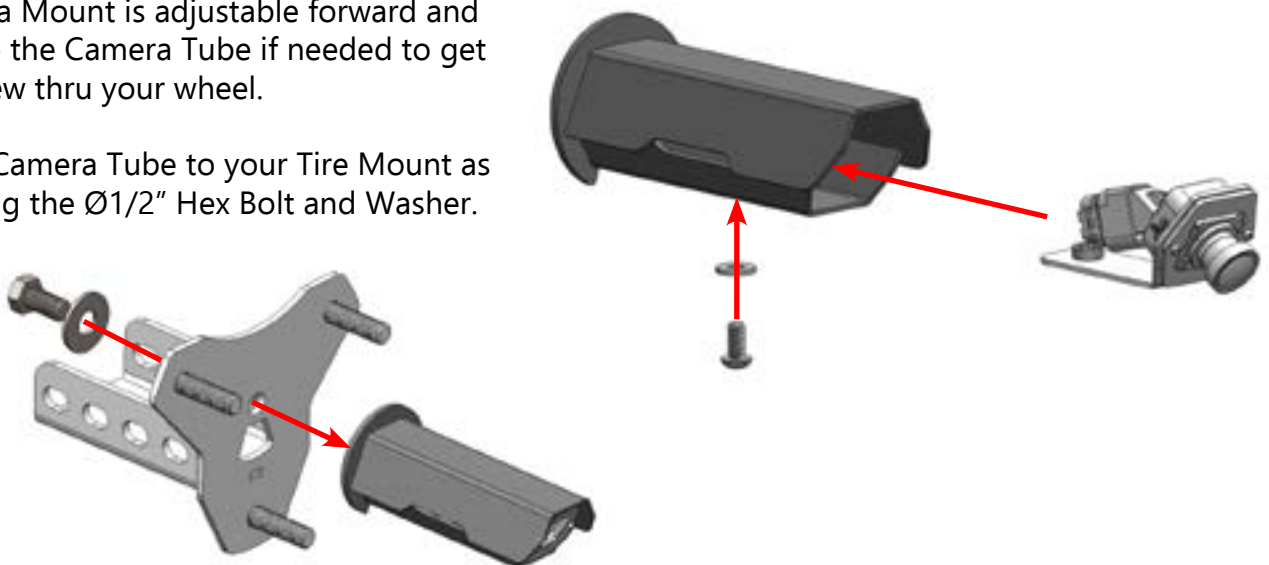
Use the Clamp Plate and the two small screws to "sandwich" the camera onto the Camera Mount.

You can install the camera into the Camera Tube now if you want, you will need to remove it again to install the camera cable once assembled to the Tire Carrier.



The Camera Mount is adjustable forward and back inside the Camera Tube if needed to get a better view thru your wheel.

Install the Camera Tube to your Tire Mount as shown using the Ø1/2" Hex Bolt and Washer.



## Extending Your Camera Cable

If your camera looks like the one shown here and uses the 5 pin connector and wiring harness, you will need to extend your camera cable using the hardware provided with this kit.



**Skip this section if your camera uses the mini coax cable!**

\*\*\*Be sure to read all the instructions for extending your camera cable before beginning.\*\*\*

To extend your camera cable you will need to remove it from your stock tire carrier. Your camera cable and 3rd brake light cable are harnessed together and should look like the one pictured here once removed from the Bronco.



You will need to remove the taped sheathing and unravel the wire harness separating the 3rd brake light cable from the camera cable.

Remove the taped sheathing being careful not to damage any of the wiring or components within the sheath.

The camera cable portion of this wire harness has additional wire or components shrink wrapped inside the harness so be especially careful when cutting and removing the taped sheathing.

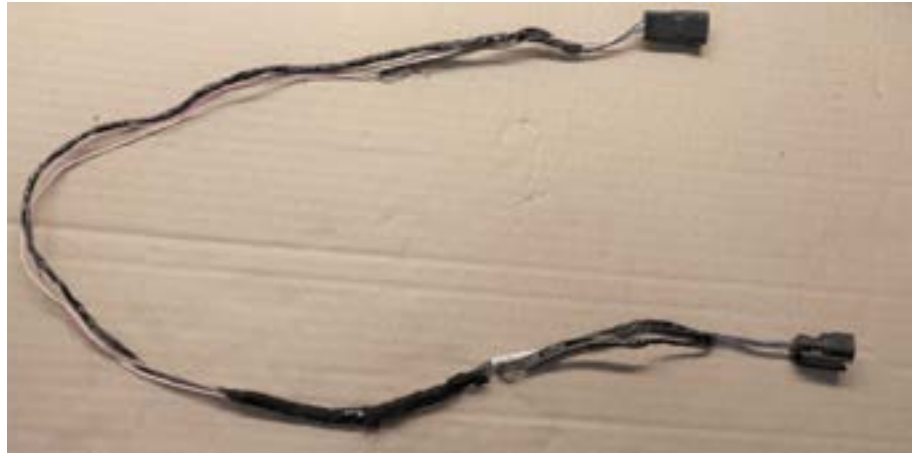


To remove the wire harness from the tailgate grommet, we simply cut the grommet and pulled the harness out.

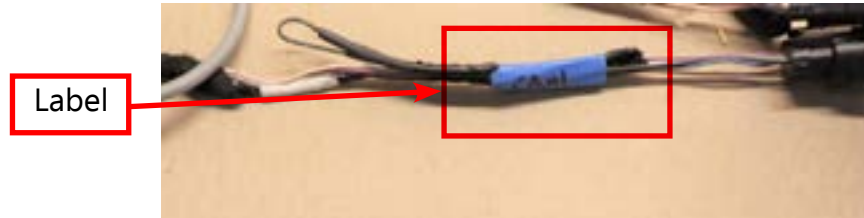
You can use glue or black silicone to seal the grommet back together and reinstall with the 3rd brake light cable in your tailgate.



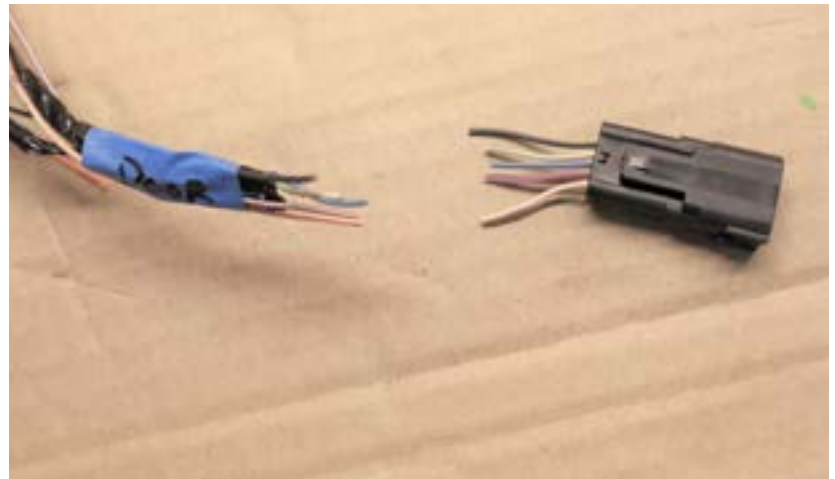
Once the camera cable is removed from the wire harness, it should look like the one pictured here.



Now is a good time to label the end of the cables so you don't get them mixed up. We just wrapped some masking tape on the cable and labeled them "Door End" or "Camera End".



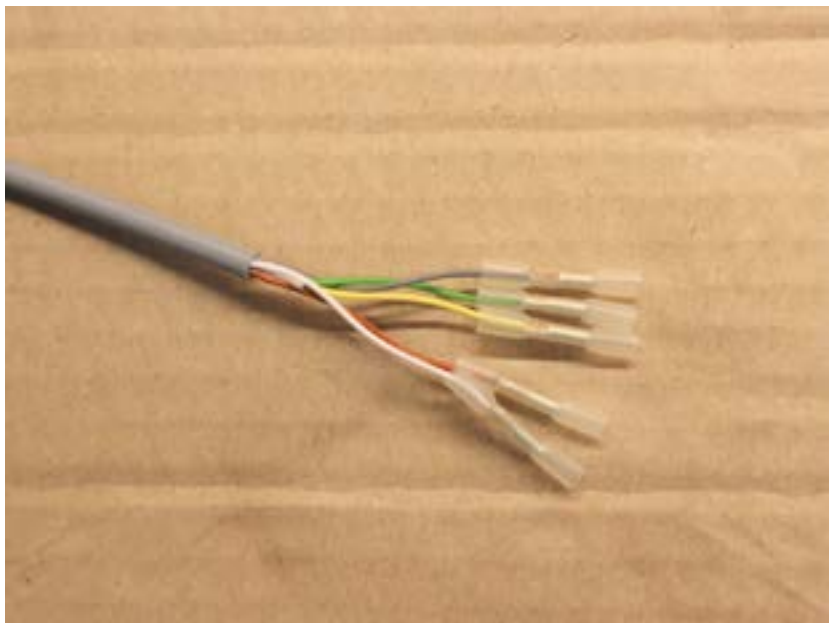
Next you will cut the connector off of the "Door End" of the cable. DO NOT cut the camera end connector off.



Due to the design of this cable, there is very little wire to work with. Carefully cut the individual wires leaving enough room on each end to attach a splice connector.

Set aside the connector, you will install this connector later after you have run your cable thru the Bronco interior

Next take one end of the 22/5 Stranded Wire and strip back a couple inches of sheath to expose the individual wires.

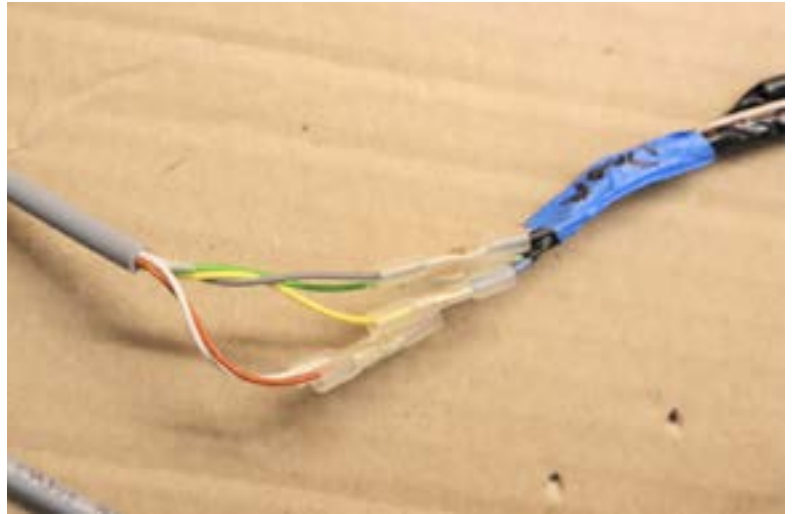


Strip the 5 wires and attach the splice connectors. Do this only to one end of the wire. It will be easier to fish the wire through the Bronco interior without the splice connectors on the other end.

Next crimp the 5 wires to the "Door End" of the camera cable as shown

Use a heat gun to shrink and water proof the splice connectors.

\*\*\*The connecting wire colors make no difference, just make a note or take a picture of the wire colors so you can reconnect them correctly when installing the connector on the other end of the cable.\*\*\*



Next you will want to wrap the newly exposed camera cable. We used electrical tape.

We then installed the provided mesh sleeve and secured it with a wire tie near the camera connector.

Pull the sleeve tight and secure the other end with another wire tie.

Once complete the entire portion of the camera cable that is exposed outside the Bronco will be covered in the mesh sleeve.

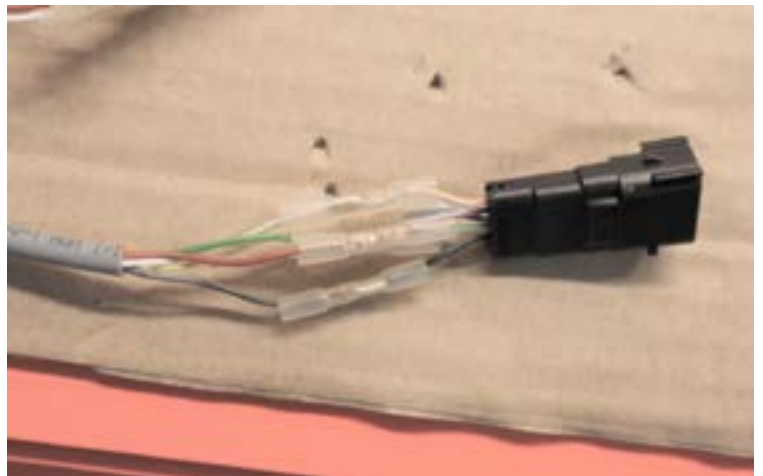


\*\*\*Skip ahead to the next section on Routing Your Camera Wire. It will be easier to fish the wire through the Bronco interior without the last connector installed. Once you have routed your wire through the Bronco interior, return to this section to finish the cable.\*\*\*

Finish the camera cable by using the splice connectors to attach the connector you cut off in the previous steps.

Make sure you get the wire colors connected correctly!

Use a heat gun to shrink the splice connectors and wrap with electrical tape to complete the cable. Plug it in and check to make sure it works.

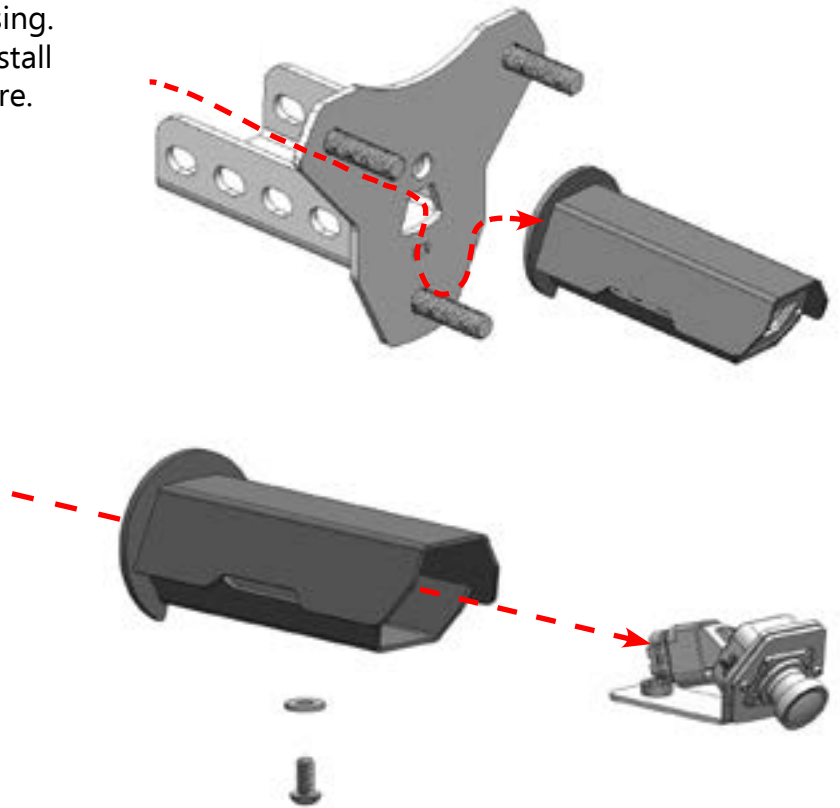


## Routing Your Camera Cable

If your stock camera uses the mini coax cable (antenna style cable), use the provided replacement cable shown here to hook up your camera.



Start by fishing the new camera cable thru the Tire Mount and into the Camera Housing. Plug it into the back of the camera and install the camera into the Housing as shown here.



\*\*\*If you are splicing and extending your camera wire, it will be easier to run your extended camera wiring before splicing in the connector for the tailgate. Or if you prefer, you can complete the camera cable assembly but you will need to remove the interior panel shown below to route the cable.\*\*\*

Install your Tire Mount Bracket and Camera Tube onto the Tire Carrier. Route the camera wire along the inside of the Tire Carrier Swing Arm to the Spindle as shown here.

Use the provided wire loops and self drilling screws to secure the wire to the inside of the Swing Arm.



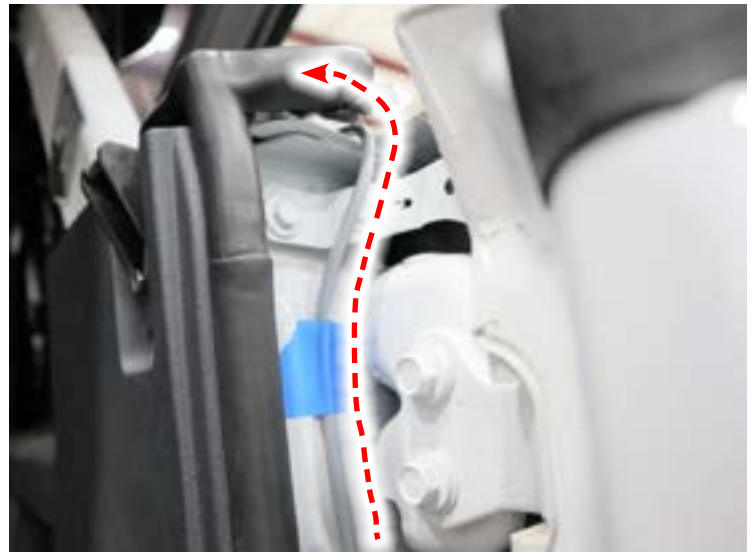
From the Spindle, you can route the camera cable along the inside of the plastic cover near your tailgate hinges.

Open your tailgate and remove the plastic cover panel using a panel tool or a flat head screw driver. There are two screws and several panel clips. Once removed the panel will slide out easily.

Plastic Cover



Run your cable up the inside of this panel and out the top as shown here. We used some masking tape to temporarily hold the cable in place while reinstalled the plastic panel.



At the top underneath the rubber gasket there is a small opening where you can fish the wire down inside the interior panel.

If you prefer, you can remove your interior paneling to run your wire, but we found this method easier.

Small opening



Push wire down behind the interior panel until you see it pop out near the tailgate wire harness. We used some thin needle nose pliers to reach in behind the panel and grab the wire.





Run the wiring behind the tailgate interior panel along side the existing wire harness. Use a few zip ties or some electrical tape to secure your new wire to the existing wire harness and reinstall the panel.



Once inside the tailgate, you can plug the new cable into the existing connector for your camera. Be sure to coil up and secure any additional cable length inside the tailgate.

If you are extending your camera cable, you can finish by splicing in your connector and testing your camera.





**2021 BRONCO  
DESTROYER SERIES  
REAR VIEW CAMERA KIT  
SHIPPING SHEET**

Packaged by:

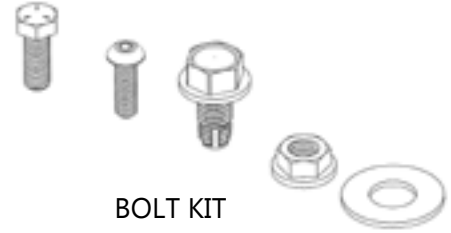
\_\_\_\_\_

On:

\_\_\_\_\_



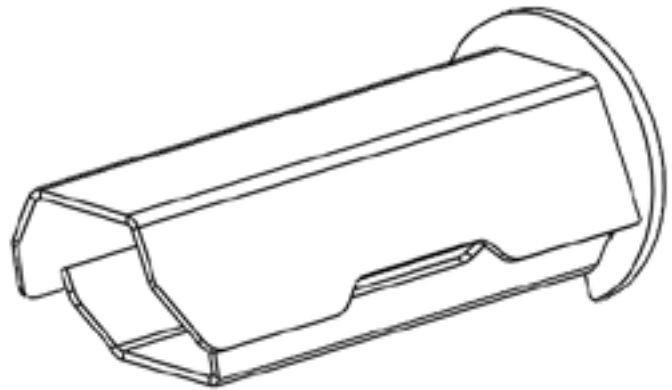
INSTRUCTION SHEET



BOLT KIT



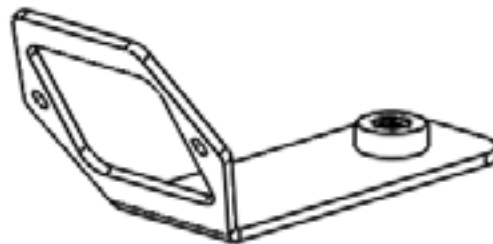
BRONCO REARVIEW  
CAMERA CABLE  
CAB2000  
**(x1)**



BRONCO CAMERA TUBE  
4BRC2100-02  
**(x1)**



CAMERA CLAMP PLATE  
2BRC2100-05  
**(x1)**



CAMERA MOUNT  
4BRC2100-01  
**(x1)**



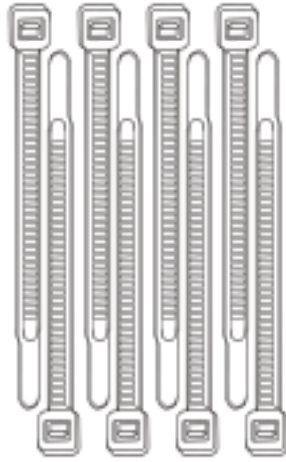
**2021 BRONCO  
DESTROYER SERIES  
REAR VIEW CAMERA KIT  
BOLT KIT**

Packaged by:

\_\_\_\_\_

On:

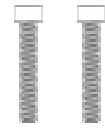
\_\_\_\_\_



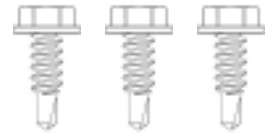
WIRE TIE 5.5" BLACK  
WT1000  
**(x8)**



HEX NUT #2-56  
(70702)  
**(x2)**



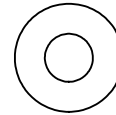
SOCKET HEAD SCREW  
#2-56 X .50"  
(0175455)  
**(x2)**



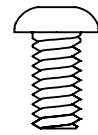
SELF TAPPING HEX  
HEAD SCREW  
#8 X .50"  
(31066)  
**(x3)**



WIRE LOOP  
WL1000  
(0774300)  
**(x3)**



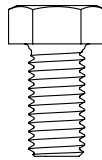
FLAT WASHER  
#12 X .56"  
(33076)  
**(x1)**



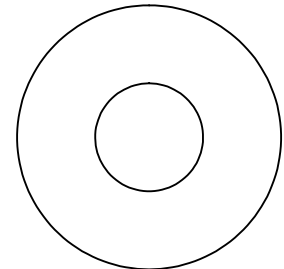
BUTTON HEAD  
SCREW 1/4-20 X .50"  
(94049)  
**(x1)**



EXPANDABLE POLYESTER  
SLEEVE 3/8"  
SL1000  
**(10ft)**



HEX BOLT 1/2-13 X 1.00"  
(0137543)  
**(x1)**



FLAT WASHER  
Ø1/2" X 1.375"  
(0159681)  
**(x1)**



22/5 STRANDED WIRE  
WR1001  
**(15ft)**



BUTT SPLICE CONNETOR  
CON1003  
**(10)**

