



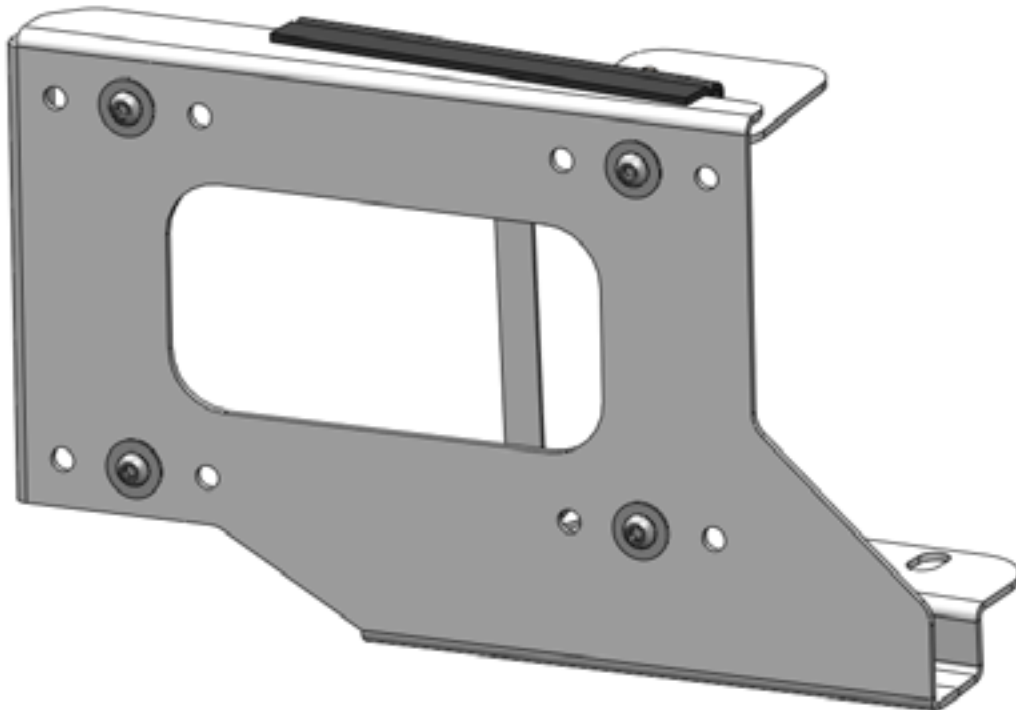
DESTROYER SERIES

BRONCO

2021 BRONCO
LICENSE PLATE DOOR
MOUNT



VERIFY YOU HAVE ALL THE COMPONENTS BEFORE STARTING THE INSTALLATION. REFER TO THE ENGINEERING DRAWINGS AT THE END OF THIS DOCUMENT FOR A COMPLETE PARTS LIST



Start by removing the inside panel from your tailgate.

Also remove the two rubber plugs underneath your tailgate.



Rubber Plugs



Install the rubber edge trim to the top of the License Plate Mount as shown.



It is easier to install your License Plate and LED Light Bolts now before installing the License Plate Bracket on your tailgate.

Use the existing painted screw shown here to mount the License Plate Mount. This screw only threads into plastic, so be careful not to strip the threads when installing.

Painted Screw



Insert the flag nut into the hole inside your tailgate show here.

Hold this flag nut in place while you install the 5/16 Hex Bolt from underneath the tailgate.



Position the License Plate Mount and then snug up the screws to hold the License Plate Mount in position while you finish the installation.

Mark the position inside the slot for drilling the next hole.

Mark this hole



We then removed the License Plate Mount to drill this hole. You can drill this hole with the License Plate Mount installed, just be careful not to damage the paint or powder coat.

Use a $\text{\O}1/4'' \times 8''$ long drill bit. Drill straight up thru the plastic interior of the tailgate.



Insert the long Ø1/4" Hex Bolt up thru the bottom of the tailgate and secure on the inside using the large square Hold Down Plate, Nut and Washer.



Hold Down Plate



Be sure to check and make sure the License Plate Mount is not rubbing the vehicle body or the bumper.

Periodically check to make sure the fasteners are tight and the rubber edging is intact and not damaging the paint.



Wiring your License Plate Lights

This instruction is simply a method for routing your wiring to install your License Plate Lights. All wiring, lights and supplies needed is the responsibility of the customer or installer. To install license plate lights, you will need to extend the wiring from the license plate light wiring harness. The connector for this harness is located under the driver side rear tail light. You will need approximately 15ft of 22-24 gauge wire and a few splice connectors to complete the install.

We recommend starting your wiring at the license plate light connector shown here. You can either cut this plug off and extend the wires, or cut the mating plug from the wire harness in your bumper and extending the wires from there.

Light connector



Run your wiring across the frame under the tailgate and secure as needed. On the passenger side, your wiring will pop up beside the tail light and under the cover panels.

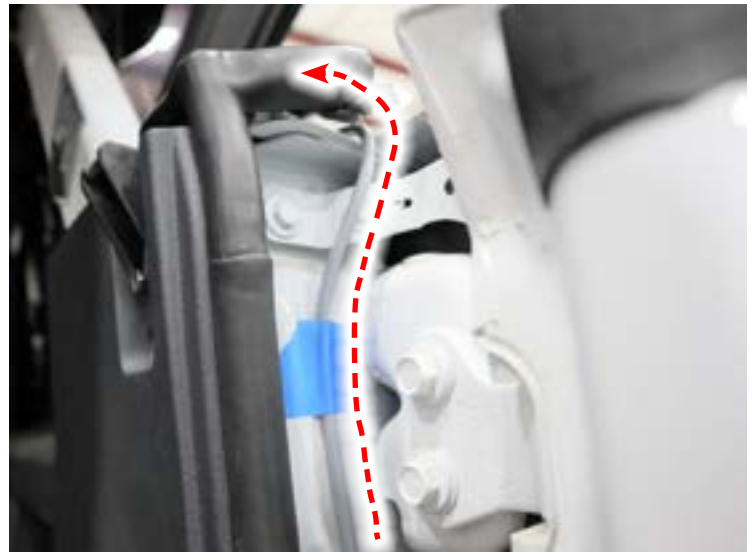


Open your tailgate and remove the plastic cover panel using a panel tool or a flat head screw driver. There are two screws and several panel clips. Once removed the panel will slide out easily.

Plastic Cover



Run your wiring up the inside of this panel and out the top as shown here. We used some masking tape to temporarily hold the wire in place while reinstalled the plastic panel.



At the top underneath the rubber gasket there is a small opening where you can fish the wire down inside the interior panel.

If you prefer, you can remove your interior paneling to run your wire, but we found this method easier.

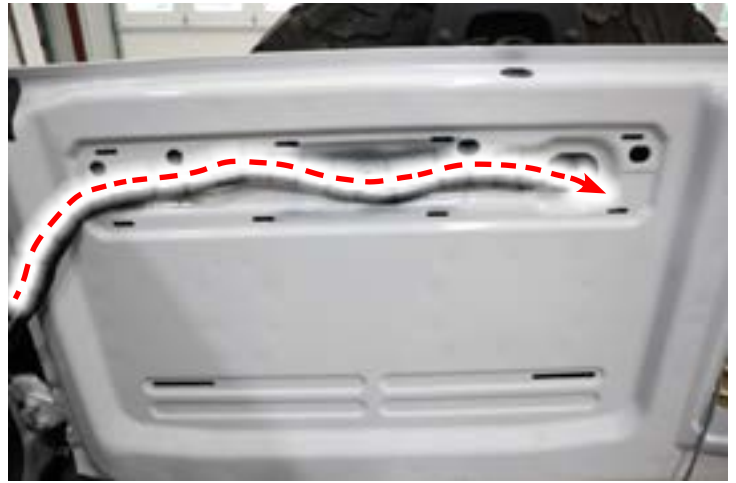
Small opening



Push wire down behind the interior panel until you see it pop out near the tailgate wire harness. We used some thin needle nose pliers to reach in behind the panel and grab the wire.



Run the wiring behind the tailgate interior panel along side the existing wire harness. Use a few zip ties or some electrical tape to secure your new wire to the existing wire harness and reinstall the panel.

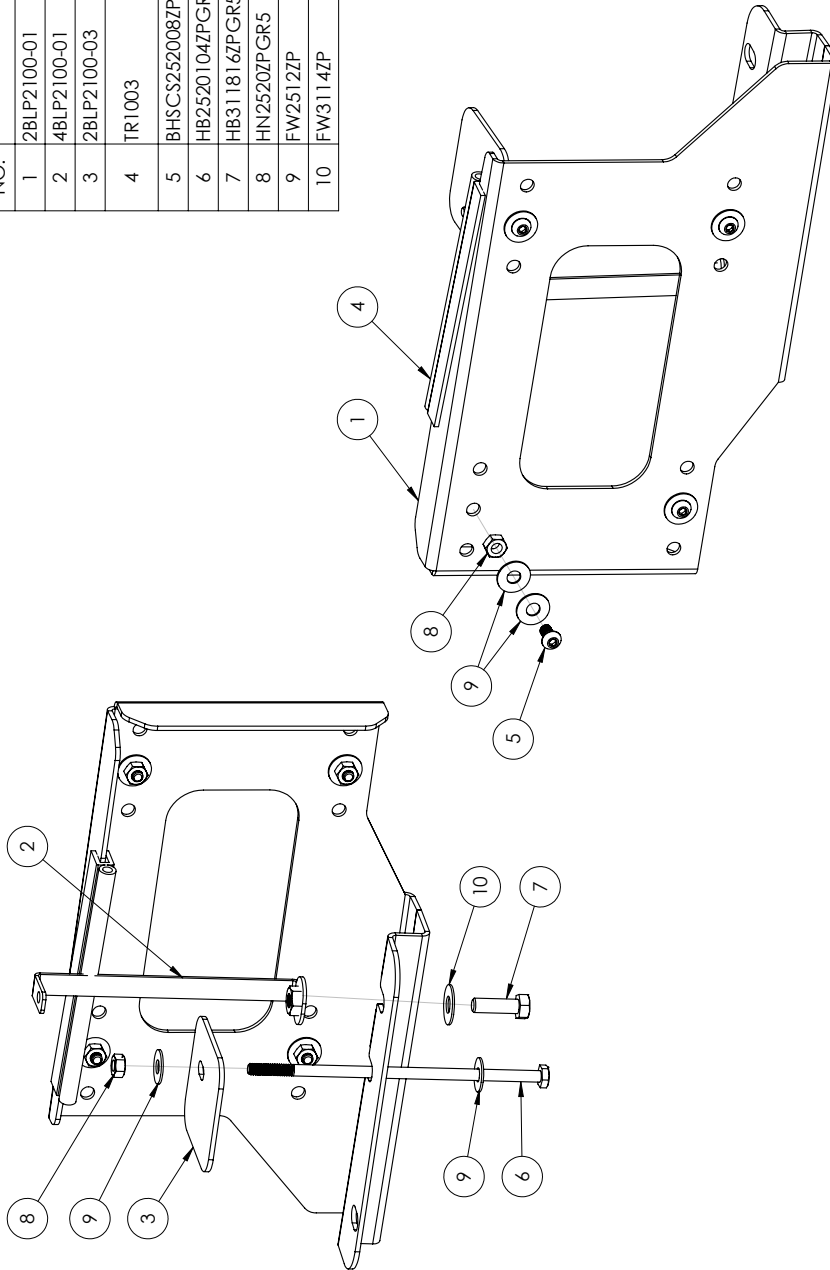


Run your new wiring thru the existing rubber grommet in your tailgate and out to the license plate lights.

Poke a small hole in the rubber grommet to push your wire through. That way the hole stretches and makes a seal on your wiring.



ITEM NO.	PART NUMBER	DESCRIPTION	QTY.
1	2BLP2100-01	2021 BRONCO TAILGATE LP MOUNT	1
2	4BLP2100-01	BRONCO LICENSE PLATE FLAG NUT	1
3	2BLP2100-03	HOLD DOWN PLATE	1
4	TR1003	RUBBER EDGE TRIM BULB SEAL (BRONCO LICENSE PLATE)	6 IN
5	BHSCS252008ZP	BHSCS 1/4-20 X 0.50 ZINC PLATE	4
6	HB2520104ZPGR5	HEX BOLT 1/4-20 X 6.50 ZINC PLATE GR5	1
7	HB311816ZPGR5	HEX BOLT 5/16-18 X 1.00 ZINC PLATE GR5	1
8	HN2520ZPGR5	HEX NUT 1/4-20 ZINC PLATED GR5	5
9	FW2512ZP	FLAT WASHER Ø1/4" X .75 ZINC PLATE	10
10	FW3114ZP	FLAT WASHER Ø5/16" X .875" ZINC PLATE	1



NOTES:

1. BLP2100 = BARE STEEL OPTION
2. BLP2101 = BLACK POWDER COAT
3. WEIGHT = APPROX 4 LBS

UNLESS OTHERWISE SPECIFIED:	NAME	DATE
DIMENSIONS ARE IN INCHES	MCH	8/2/2022
ANGULAR DIMENSIONS ARE IN DEGREES		
TWO PLACE DECIMAL ±0.015	DRAWN	
THREE PLACE DECIMAL ±0.005	CHECKED	
	ENG. APPR.	
	MFG. APPR.	
PROPRIETARY AND CONFIDENTIAL	MATERIAL:	
	N/A	
THE INFORMATION CONTAINED IN THIS DRAWING IS THE SOLE PROPERTY OF LOD LLC. ANY REPRODUCTION OR TRANSMISSION OF THIS DRAWING WITHOUT THE WRITTEN PERMISSION OF LOD LLC IS PROHIBITED.	FINISH:	
	SEE NOTES	
	ECO:	



LOD LLC.

DESCRIPTION:
2021 BRONCO LICENSE PLATE DOOR MOUNT

DWG. NO. BLP2100
BLP2101

REV

A

SCALE: 1:2.5 SHEET SIZE: B SHEET 1 OF 1



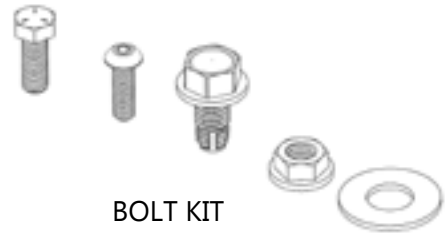
**2021 BRONCO
DESTROYER SERIES
LICENSE PLATE DOOR
MOUNT
SHIPPING SHEET**

Packaged by:

On:



INSTRUCTION SHEET

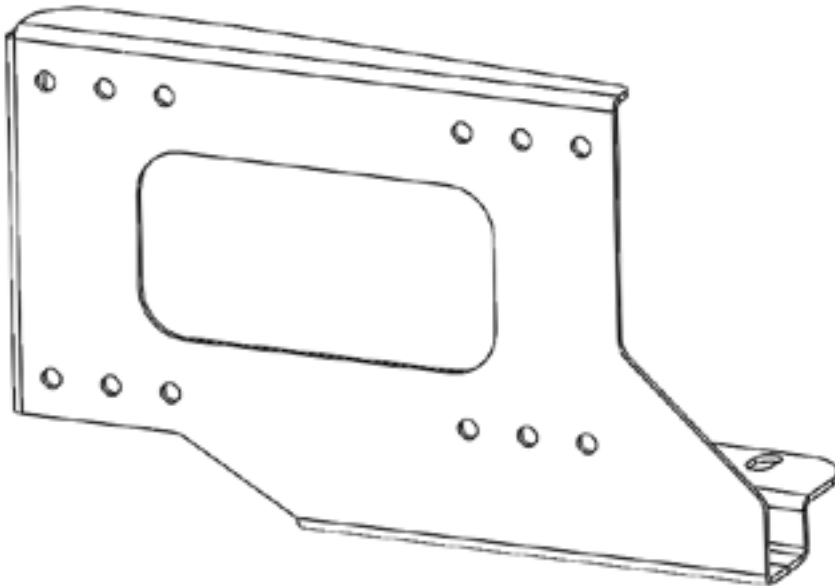


BOLT KIT



HOLD DOWN PLATE
2BLP2100-03

(x1)



BRONCO TAILGATE LP MOUNT
2BLP2100-01

(x1)



LICENSE PLATE FLAG NUT
4BLP2100-01

(x1)

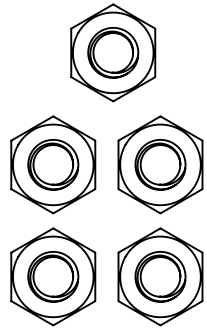




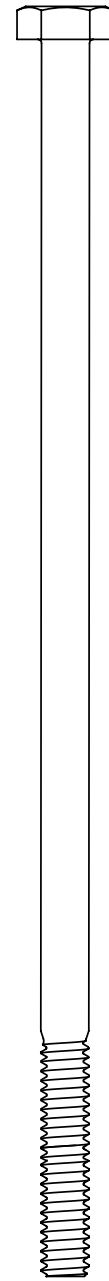
**2021 BRONCO
DESTROYER SERIES
LICENSE PLATE DOOR
MOUNT
BOLT KIT**

Packaged by:

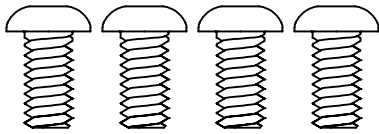
On: _____



HEX NUT 1/4-20
(1136302)
(x5)



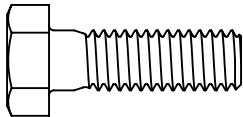
HEX BOLT 1/4-20 X 6.50"
(13026)
(x1)



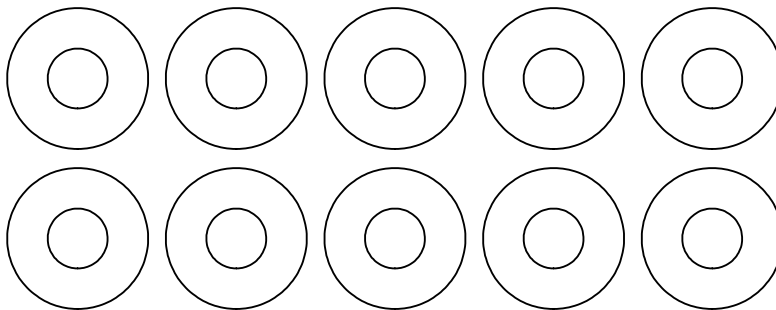
BUTTON HEAD
SCREW 1/4-20 X .50"
(94049)
(x4)



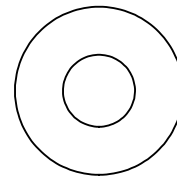
RUBBER EDGE TRIM
BULB SEAL
TR1003
(6 INCHES)



HEX BOLT 5/16-18 X 1.00"
(13055)
(x1)



FLAT WASHER
Ø1/4" X .75"
(1133004)
(x10)



FLAT WASHER
Ø5/16" X .875"
(1133006)
(x1)

